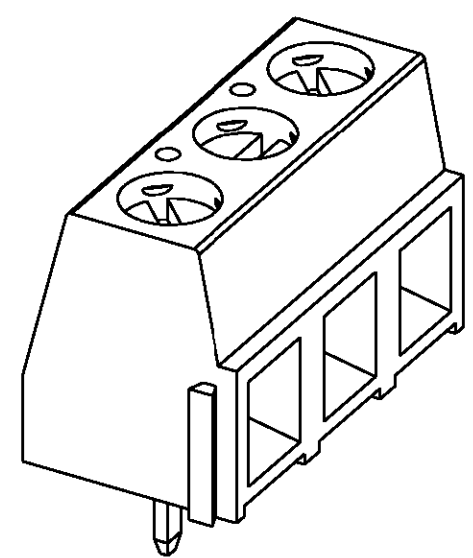
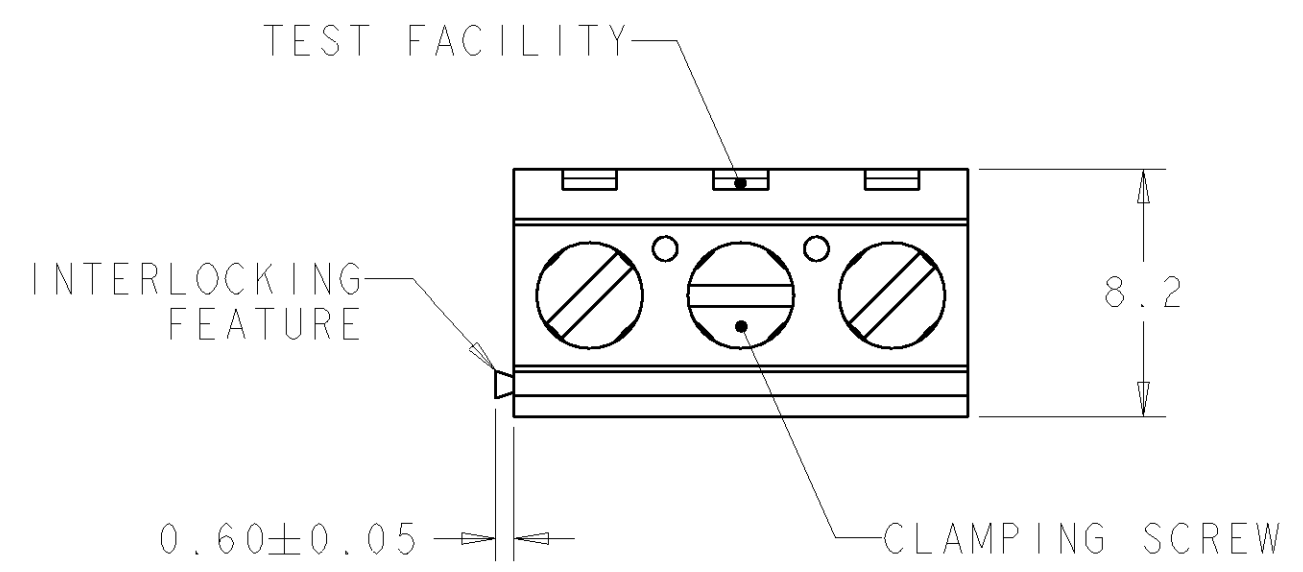


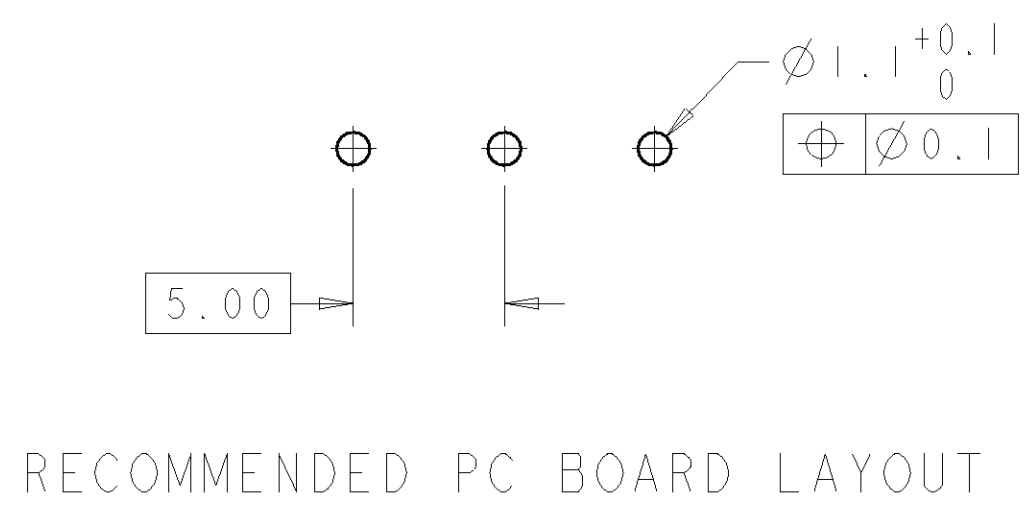
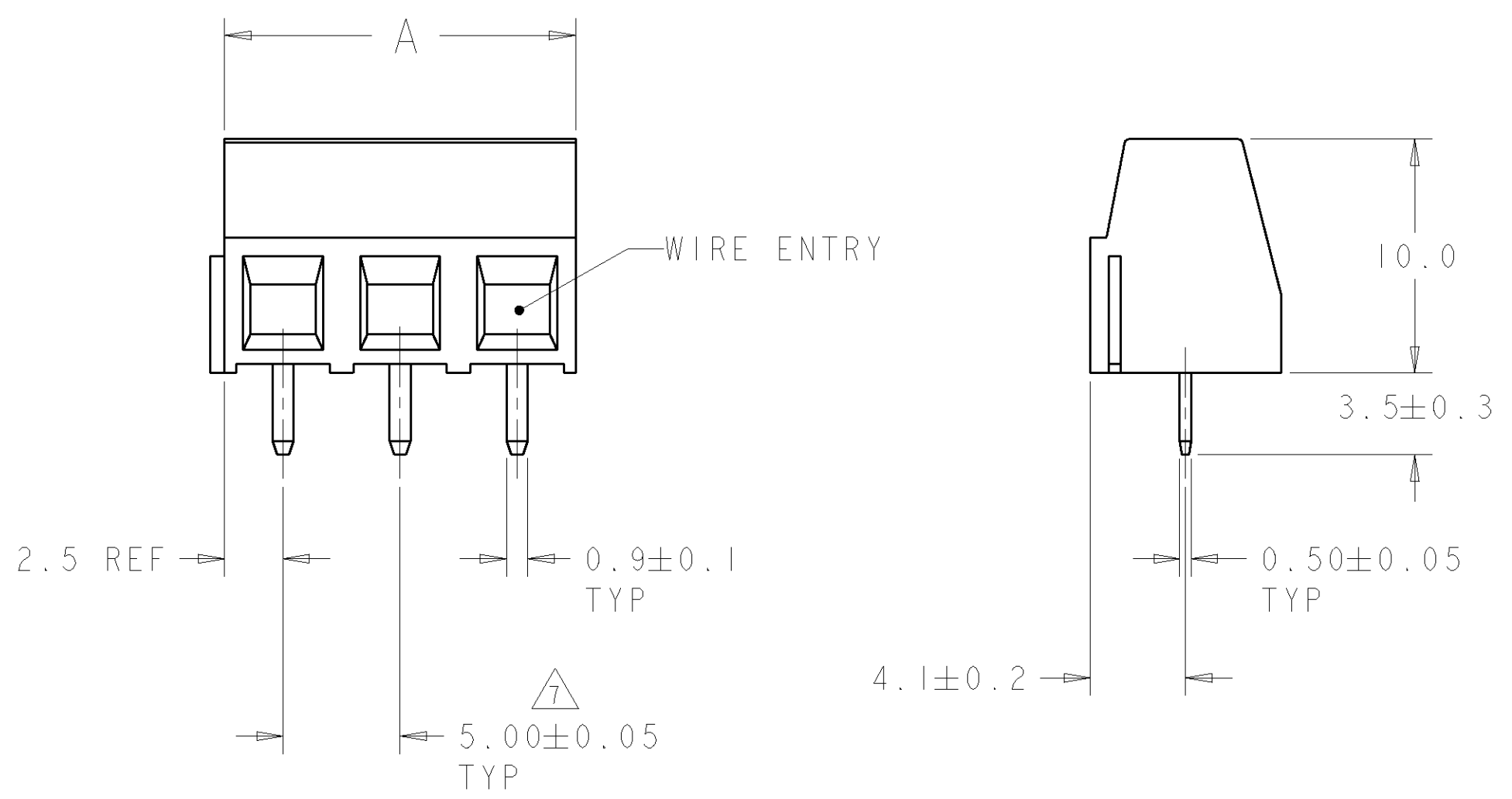
THIS DRAWING IS UNPUBLISHED. RELEASED FOR PUBLICATION 20
 © COPYRIGHT 20 BY TYCO ELECTRONICS CORPORATION. ALL RIGHTS RESERVED.

LOC	DIST	REVISIONS			
P	LTR	DESCRIPTION	DATE	DWN	APVD
FT	0	A	RELEASED	-	-



1546216-3 AS SHOWN

- △ MATERIALS AND FINISH
 HOUSING: PA 6-6, UL 94-V0, COLOR GRAY.
 CLAMP: BRASS, NICKEL PLATED.
 TERMINAL: BRASS, TIN PLATED.
 CLAMPING SCREW: M3, BRASS, NICKEL PLATED.
- 2. SUITABLE FOR 1,6-2,4mm PC BOARD THICKNESS.
- 3. END-TO-END STACKABLE W/INTERLOCK WITHOUT LOSS OF CENTERLINE SPACING.
- 4. WIRE SIZE RANGE: 15-17 AWG.
- 5. RECOGNIZED UNDER THE COMPONENT PROGRAM OF UNDERWRITERS LABORATORIES INC., FILE N° E60677.
- 6. IMQ CERTIFICATE WITH SURVEILLANCE IN CONFORMITY WITH IEC 998-1/998-2-1.
- △ NOT CUMULATIVE TOLERANCE.



125.0	25	2-1546216-5
120.0	24	2-1546216-4
115.0	23	2-1546216-3
110.0	22	2-1546216-2
105.0	21	2-1546216-1
100.0	20	2-1546216-0
95.0	19	1-1546216-9
90.0	18	1-1546216-8
85.0	17	1-1546216-7
80.0	16	1-1546216-6
75.0	15	1-1546216-5
70.0	14	1-1546216-4
65.0	13	1-1546216-3
60.0	12	1-1546216-2
55.0	11	1-1546216-1
50.0	10	1-1546216-0
45.0	9	1546216-9
40.0	8	1546216-8
35.0	7	1546216-7
30.0	6	1546216-6
25.0	5	1546216-5
20.0	4	1546216-4
15.0	3	1546216-3
10.0	2	1546216-2
A	NO OF POSN	PART NUMBER

THIS DRAWING IS A CONTROLLED DOCUMENT FOR TYCO ELECTRONICS CORPORATION. IT IS SUBJECT TO CHANGE AND THE CONTROLLING ENGINEERING ORGANIZATION SHOULD BE CONTACTED FOR THE LATEST REVISION.		DWN S. WELDON 27FEB2004	BUCHANAN Tyco Electronics Harrisburg, PA 17105-3608
DIMENSIONS: mm		CHK C. RICHARD 27FEB2004	
TOLERANCES UNLESS OTHERWISE SPECIFIED:		APVD C. RICHARD 27FEB2004	
0 PLC ±.3 1 PLC ±.3 2 PLC ±.25 3 PLC ±. 4 PLC ±. ANGLES ±2 FINISH		PRODUCT SPEC 108-20166 APPLICATION SPEC 114-20079 WEIGHT - CUSTOMER DRAWING	
MATERIAL △ - △ - △ - △ -		NAME TERMINAL BLOCK, PCB MOUNT SIDE ENTRY WIRE, STACKING W/INTERLOCK, 5.00mm PITCH SIZE A2 CAGE CODE 00779 DRAWING NO. 1546216 RESTRICTED TO - SCALE 4:1 SHEET 1 OF 1 REV A	