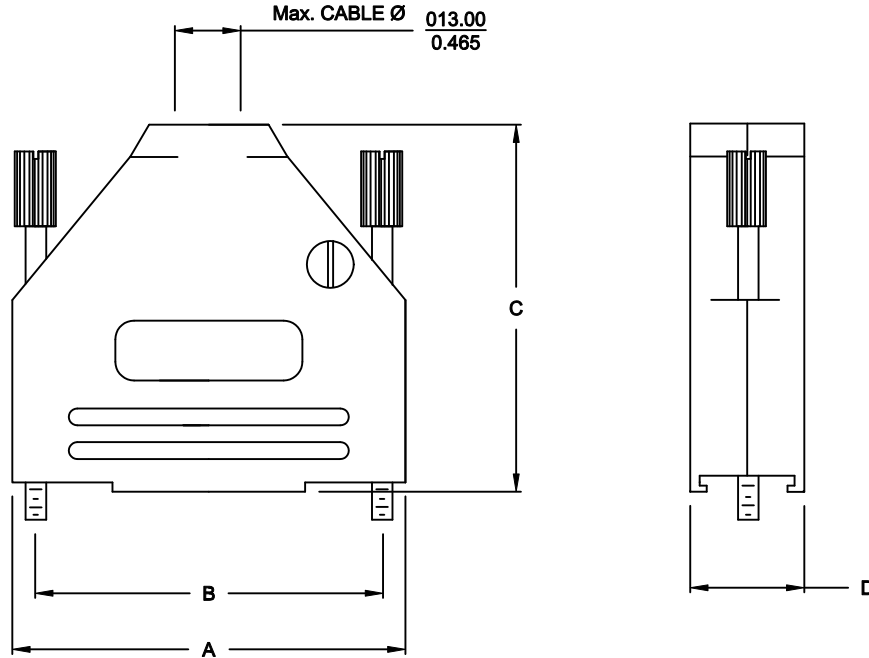


BACKSHELL KIT INCLUDES:

- (2) BACKSHELL HALVES
- (2) 4-40 THUMBSCREWS
- (2) HOUSING SCREWS
- (1) SET OF METALIZED COMPRESSION INSERTS - VARIOUS SIZES
DIAMETERS 4mm (.157"), 5mm (.167"), 7mm (.276"), 9mm(.354")

| DIMENSIONS (mm/in) | | | | |
|--------------------|----------------------|----------------------|----------------------|----------------------|
| SIZE | A $\pm_{0.10}^{.25}$ | B $\pm_{.005}^{.13}$ | C $\pm_{0.10}^{.25}$ | D $\pm_{0.10}^{.25}$ |
| 9 | 31.20 | 24.99 | 39.90 | 15.00 |
| | 1.228 | 0.984 | 1.571 | 0.591 |
| 15 | 39.50 | 33.32 | 41.50 | 15.00 |
| | 1.555 | 1.312 | 1.634 | 0.591 |
| 25 | 53.40 | 47.04 | 48.60 | 15.00 |
| | 2.102 | 1.852 | 1.913 | 0.591 |
| 37 | 69.70 | 63.50 | 53.60 | 15.00 |
| | 2.744 | 2.500 | 2.110 | 0.591 |



ORDERING INFORMATON:

| SIZE | PRODUCT CODE: |
|--------|------------------|
| 9-WAY | MHDTZK-9-RAHI-K |
| 15-WAY | MHDTZK-15-RAHI-K |
| 25-WAY | MHDTZK-25-RAHI-K |
| 37-WAY | MHDTZK-37-RAHI-K |

| SIZE | PRODUCT CODE: |
|--------|----------------|
| 9-WAY | MHDTZK-9-RAHI |
| 15-WAY | MHDTZK-15-RAHI |
| 25-WAY | MHDTZK-25-RAHI |
| 37-WAY | MHDTZK-37-RAHI |

BACKSHELL MATERIAL: DIE-CAST ZINC ALLOY
 PLATING: NICKEL
 4-40 THUMBSCREWS: STEEL
 M3 HOODSCREWS: STEEL
 COMPRESSION INSERT: ABS UL 94HB
 OPERATING TEMP: -40°C TO +120°C

| | | |
|--|----------------------|------------------|
| THESE DRAWINGS AND SPECIFICATIONS ARE THE PROPERTY OF MH CONNECTORS LTD. AND SHALL NOT BE REPRODUCED, COPIED OR USED AS THE BASIS FOR THE MANUFACTURE OR SALE OF APPARATUS WITHOUT WRITTEN PERMISSION. | DRAWN P. JENKINS | DATE 02-23-12 |
| | APPROVED D. CROFT | DATE 02-06-12 |

RoHS COMPLIANT



MH CONNECTORS LTD.

| | | | |
|--|------------|---------|-----------|
| SCALE NTS | SHEET 1 | OF 1 | REV: A |
| DRAWING No MHDTZK-⟨ ⟩-RAHI-K SERIES | | | |