

MATED WITH: PASSEND ZU:	LOC - A1	DIST -	REVISIONS					
			P	LTR	DESCRIPTION	DATE	DWN	APVD
PROJECT NR.;	-		B3		REVISED PER ECO-11-005150	21MAR11	RK	HMR

Customer Drawing  
for PN 963709

SEE 1355048


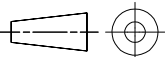
RELEASED FOR PUBLICATION

ALL RIGHTS RESERVED.

THIS DRAWING IS UNPUBLISHED.  
VERTRAULICHE UNVERÖFFENTLICHTE ZEICHNUNG.

By -  
COPYRIGHT -

-	-	-	-	-	-	-	-
CUSTOMER PART NO	PART NO	REV.	PCS.	MATERIAL	SURFACE COLOUR	DESCRIPTION	

DIMENSIONS: mm		DWN T.Bersch 27-MAY-98	MATERIAL -	FINISH OBERFLAECHE/FARBE -
TOLERANCES UNLESS OTHERWISE SPECIFIED: n. ISO 8015 n. ISO 2768-MH-E n. DIN 16901-14.0		CHK V. Huhn 18-MAY-00	 TE Connectivity	
		APVD M. Bleicher 19-MAY-00		
0 PLC ± -		PRODUCT SPEC PRODUKTSPEZ. -	NAME STANDARD-POWER-TIMER CONTACT STANDARD-POWER-TIMER KONTAKT	
1 PLC ± -		APPLICATION SPEC VERARBEITUNGSSPEZ. -	SIZE A4	CAGE CODE 00779
2 PLC ± -			DRAWING NO ZEICHNUNGS-NR. C-963709	RESTRICTED TO NUR FUER -
3 PLC ± -		WEIGHT GEWICHT -	CUSTOMER DRAWING / KUNDENZEICHNUNG	
4 PLC ± -			SCALE MASSSTAB -	SHEET BLATT 1 OF VON 1
ANGLES / WINKEL ± -				

# Mouser Electronics

Authorized Distributor

Click to View Pricing, Inventory, Delivery & Lifecycle Information:

[TE Connectivity:](#)

[963709-2](#)