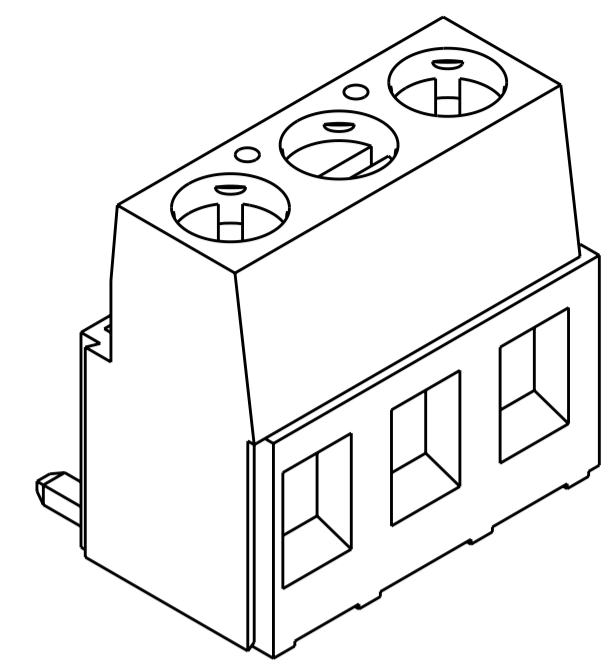
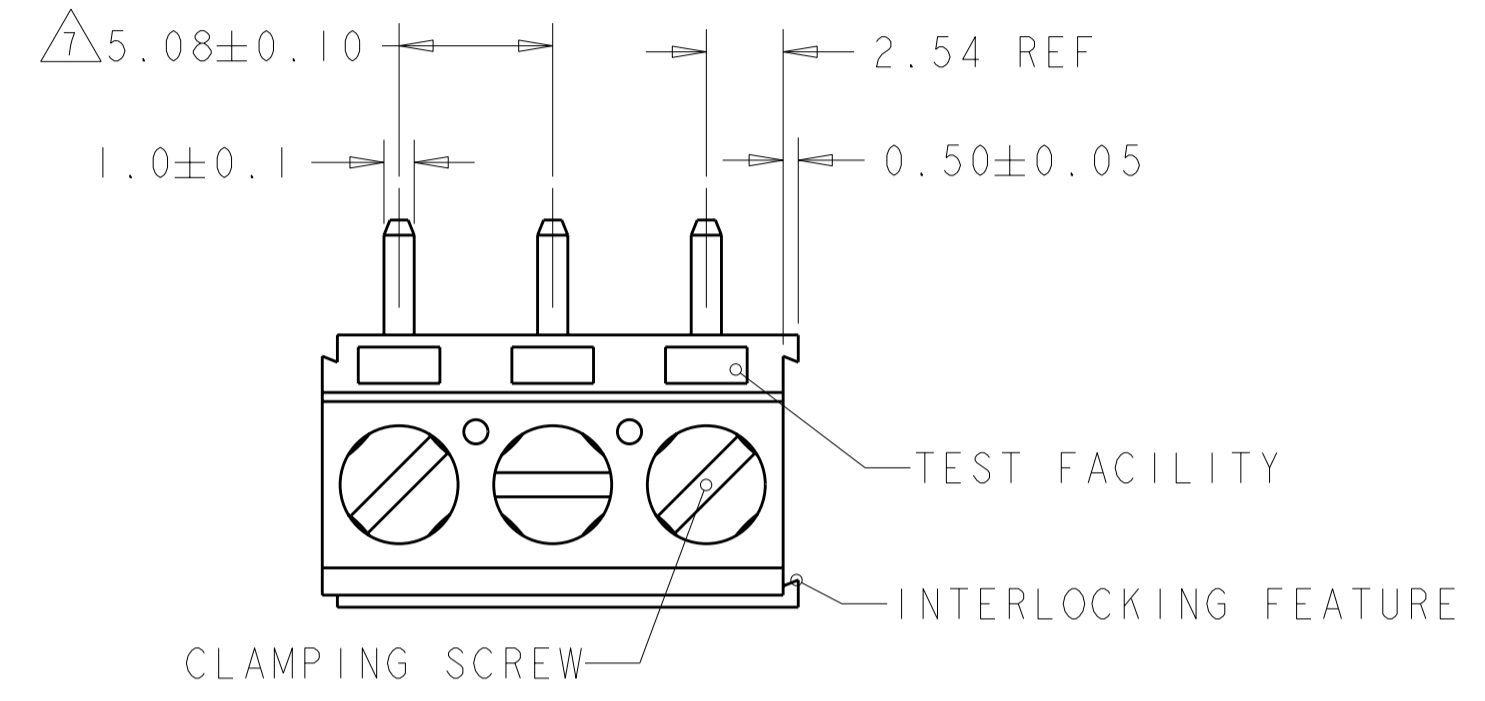


THIS DRAWING IS UNPUBLISHED. RELEASED FOR PUBLICATION 20
 © COPYRIGHT 20 BY - ALL RIGHTS RESERVED.

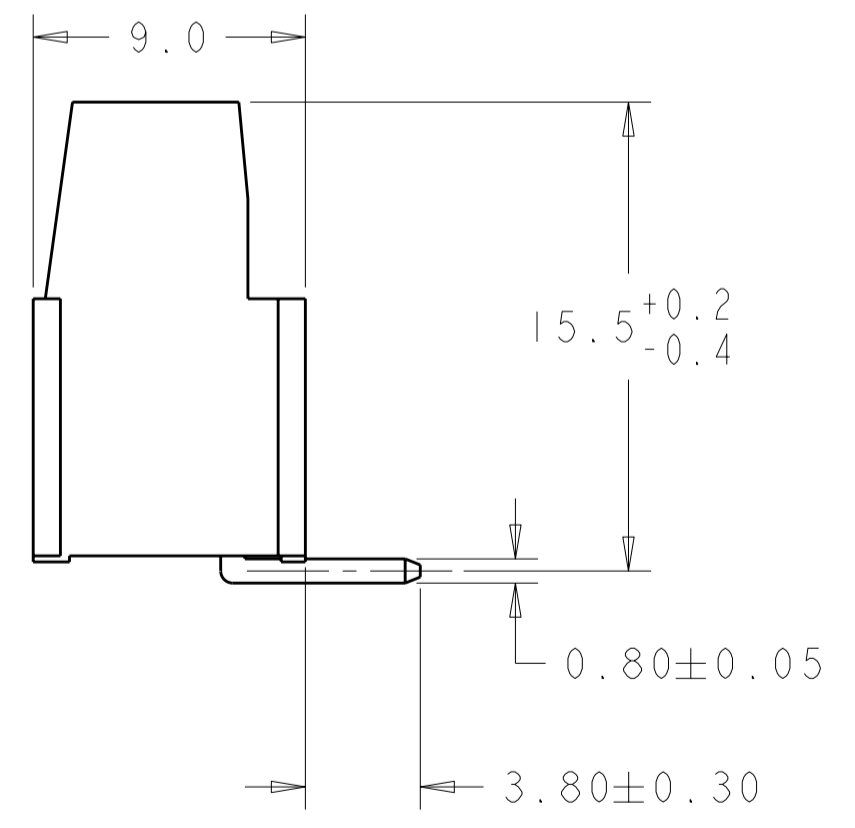
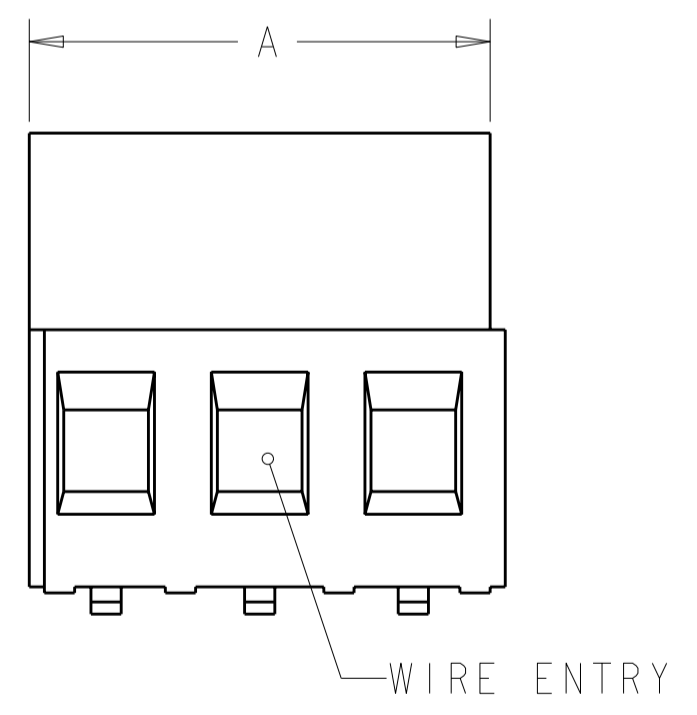
LOC		DIST		REVISIONS			
P	LTR	DESCRIPTION	DATE	DWN	APVD		
FT	0						
	BI	REVISED PER ECO-11-004835	11MAR2011	RK	HMR		



1547063-3 AS SHOWN

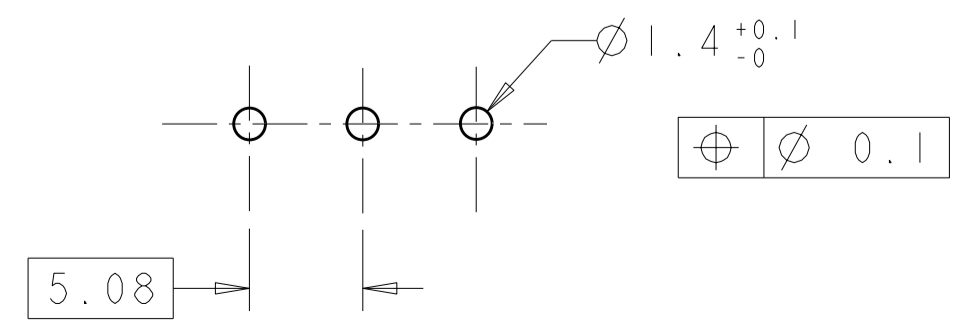


- 1 MATERIALS AND FINISH
 HOUSING: PA 6-6, UL 94-V0, COLOR BLACK.
 CLAMP: BRASS, NICKEL PLATED.
 TERMINAL: BRASS, TIN PLATED.
 CLAMPING SCREW: M3, BRASS, NICKEL PLATED.
 - 2 SUITABLE FOR 1,6-2,4mm PC BOARD THICKNESS.
 - 3 END-TO-END STACKABLE W/INTERLOCK WITHOUT LOSS OF CENTERLINE SPACING.
 - 4 WIRE SIZE RANGE
 SOLID WIRE: 0,03-2,5mm² (13AWG).
 STRANDED WIRE: 0,03-1,5mm² (15AWG).
 - 5 RECOGNIZED UNDER THE COMPONENT PROGRAM OF UNDERWRITERS LABORATORIES INC. FILE N° E60677.
 - 6 IMQ CERTIFICATE WITH SURVEILLANCE IN CONFORMITY WITH IEC 998-1/998-2-1.
- 7 NOT CUMULATIVE TOLERANCE.



127.00	25	2-1546073-5
121.92	24	2-1546073-4
116.84	23	2-1546073-3
111.76	22	2-1546073-2
106.68	21	2-1546073-1
101.60	20	2-1546073-0
96.52	19	1-1546073-9
91.44	18	1-1546073-8
86.36	17	1-1546073-7
81.28	16	1-1546073-6
76.20	15	1-1546073-5
71.12	14	1-1546073-4
66.04	13	1-1546073-3
60.96	12	1-1546073-2
55.88	11	1-1546073-1
50.80	10	1-1546073-0
45.72	9	1546073-9
40.64	8	1546073-8
35.56	7	1546073-7
30.48	6	1546073-6
25.40	5	1546073-5
20.32	4	1546073-4
15.24	3	1546073-3
10.16	2	1546073-2
DIM A	No OF POS.	PART NUMBER

RECOMMENDED PCB LAYOUT



THIS DRAWING IS A CONTROLLED DOCUMENT.		DWN: E. ZANOLINI 16AUG2001	TE Connectivity	
DIMENSIONS: mm		CHK: D. BIEVENOUR 16AUG2001		
TOLERANCES UNLESS OTHERWISE SPECIFIED:		APVD: D. BIEVENOUR 16AUG2001		
0 PLC ±.2 1 PLC ±.15 2 PLC ±.15 3 PLC ±. 4 PLC ±. ANGLES ±2 FINISH		PRODUCT SPEC: 108-20166 APPLICATION SPEC: 114-20079 WEIGHT: -		
MATERIAL		NAME: TERMINAL BLOCK PCB MOUNT TOP ENTRY WIRE, STACKING W/INTERLOCK, 5.08mm PITCH		RESTRICTED TO: -
		SIZE: A2 CAGE CODE: 00779 DRAWING NO: 1546073		SCALE: 4:1 SHEET 1 OF 1 REV: BI
CUSTOMER DRAWING		SCALE: 4:1 SHEET 1 OF 1 REV: BI		

Mouser Electronics

Authorized Distributor

Click to View Pricing, Inventory, Delivery & Lifecycle Information:

[TE Connectivity:](#)

[1546073-5](#)