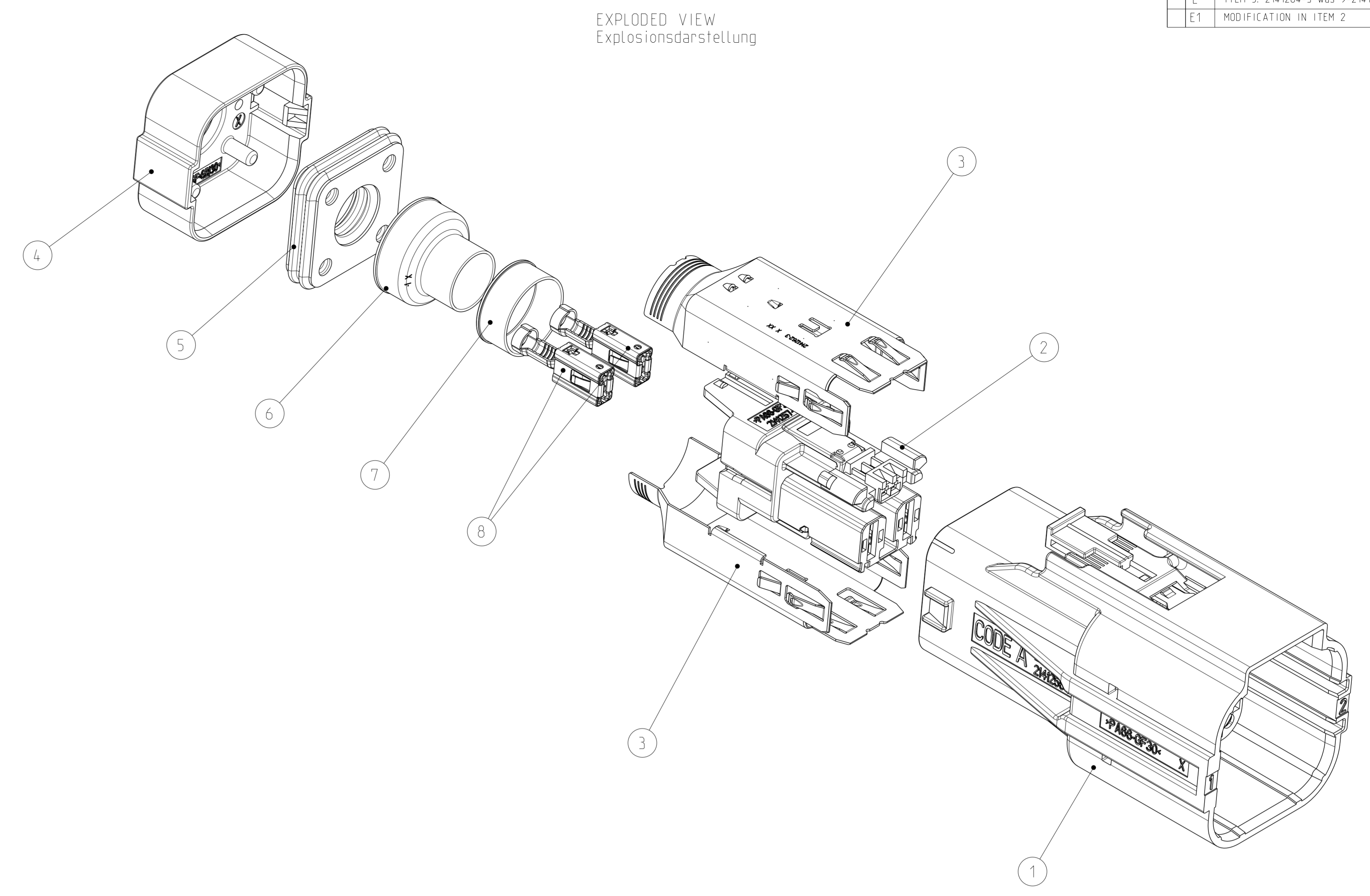
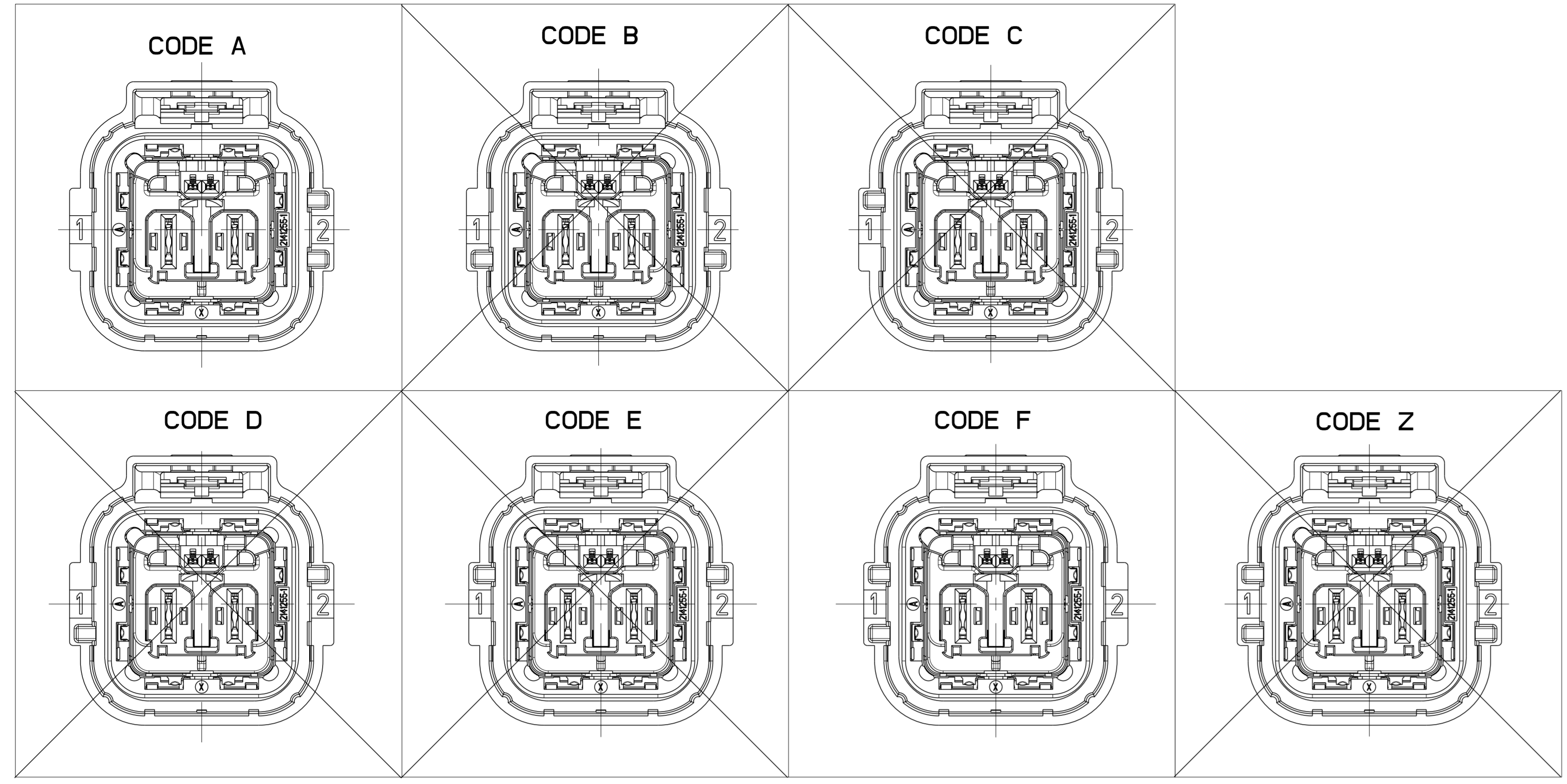
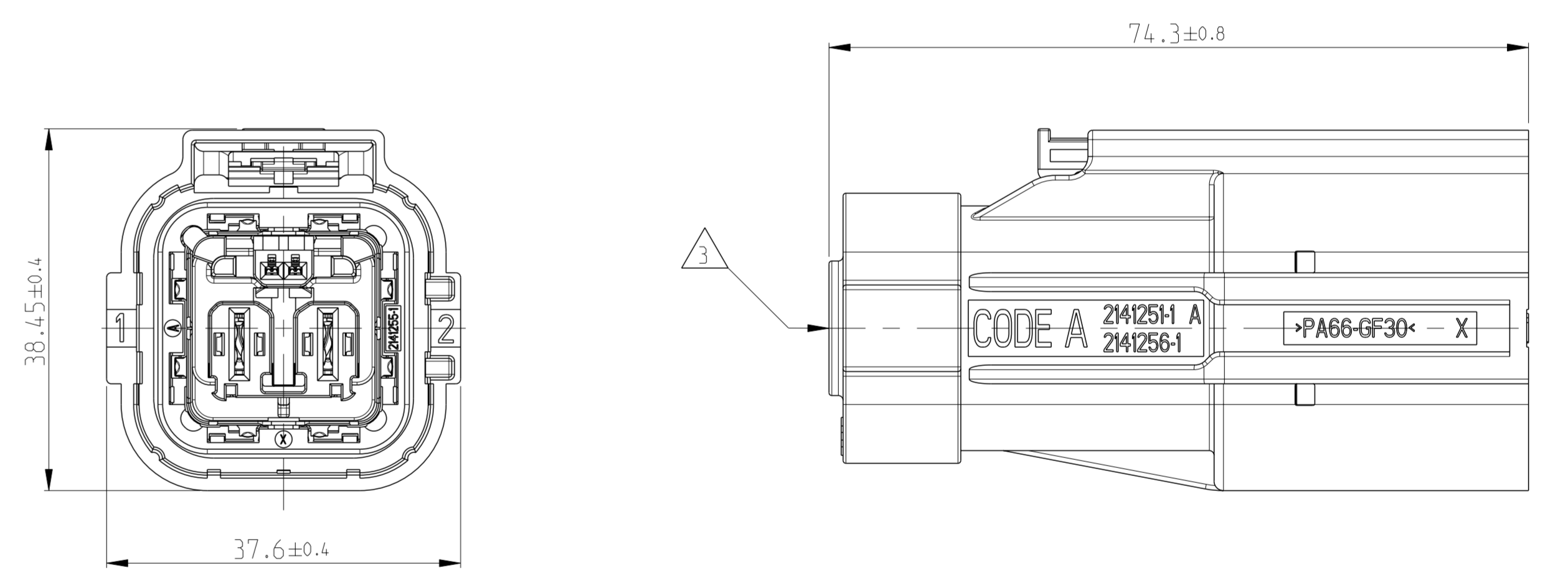


REV. NO.	DATE	DESCRIPTION	BY	CHK
C	24FEB2015	DEFLECTOR RIBS ON INSERT ADDED	RSC	AKE
D	02.AND2015	ITEM 5: 9-2141264-2 was 2141264-3	RSC	AKE
E	29NOV2016	ITEM 5: 2141264-3 was 9-2141264-2	RSC	KKI
E1	27MAR2019	MODIFICATION IN ITEM 2	SK	TS



EXPLODED VIEW
Explosionsdarstellung

ITEM	COMPONENT PN	DESCRIPTION	MATERIAL	COLOUR/SURFACE	QTY / Anzahl									
					2	2	2	2	2	2	2	2		
8	2-1241408-3	AMP MCP 6,3/4,8	CuNiSi	SEL. Ag PLATED	2	2	2	2	2	2	2	2	2	
E1 7	1-2141261-1	SHIELD CRIMP FERRULE, INNER	STAINLESS STEEL	BLANK	1	1	1	1	1	1	1	1	1	
E1 6	1-2141263-4	SHIELD CRIMP FERRULE, OUTSIDE	STAINLESS STEEL	BLANK	-	-	-	-	1	1	1	1	1	
5	1-2141263-3	SHIELD CRIMP FERRULE, OUTSIDE	STAINLESS STEEL	BLANK	1	1	1	1	-	-	-	-	-	
	2141264-4	SINGLE WIRE SEAL	SILICON	YELLOW	-	-	-	-	1	1	1	1	1	
4	2141264-3	SINGLE WIRE SEAL	SILICON	BLUE	1	1	1	1	-	-	-	-	-	
	2141265-4	COVER	PA6(GF+GB)30	ORANGE	-	-	-	-	1	1	1	1	1	
3	2141265-3	COVER	PA6(GF+GB)30	ORANGE	1	1	1	1	-	-	-	-	-	
	2141262-3	SHIELDING, EMC	CuNiSi	SEL. Ag PLATED	2	2	2	2	2	2	2	2	2	
E1 2	2141259-1	2POS. MIXED, REC HSG. ASSY	PA66-GF30	BLACK	1	1	1	1	1	1	1	1	1	
1	1-2141256-6	2POS REC HSG. ASSY, COD F	PA66-GF30 SILICON	HSG ORANGE CPA RED	-	-	-	-	-	-	-	-	-	
	1-2141256-1	2POS REC HSG. ASSY, COD A		HSG ORANGE CPA BROWN	-	-	1	-	-	-	-	1	-	
	2141256-6	2POS REC HSG. ASSY, COD F		HSG ORANGE CPA BROWN	-	1	-	-	-	-	1	-	-	-
	2141256-1	2POS REC HSG. ASSY, COD A		HSG ORANGE CPA BLACK	1	-	-	-	-	1	-	-	-	-
CRIMPING TOOL NO.					528041-9				1-528041-0					
WIRE ISOLATION DIAMETER [mm]					10.7 - 11.3				12.2 - 12.8					
VARIANT (TE KIT NUMBER)					2x4mm 2 COD.A (2287490-1)	2x4mm 2 COD.F (2287490-6)	2x6mm 2 COD.A (1-2287490-1)	2x6mm 2 COD.F (1-2287490-6)						



ASSEMBLED CONDITION (ILLUSTRATION WITHOUT CABLE)
Zusammengebauter Zustand (Darstellung ohne Leitung)

- NOTES
Bemerkungen
- THE GERMAN TEXT IS BINDING
Der deutsche Text ist verbindlich
 - ASSEMBLED NOT FOR SALE. DESCRIBES ONLY
THE DELIVERY AMOUNT AND THE MOUNTING STATE WITHOUT CABLE
Zusammengebaut kein Verkaufsteil, stellt einzig den Lieferumfang und den Montagezustand ohne Leitung dar
 - MIN BENDING RADIUS OF CABLE
ACCORDING TO SPECIFICATION OF CABLE SUPPLIER.
Min. Leitungsbiegeradius gemäss Leitungsspezifikation des Herstellers.
 - ADAPTIVE CABLES SEE SPECIFICATION 114-94100
Anwendbare Leitungen siehe Verarbeitungsspezifikation 114-94100

PRODUCT CHARACTERISTICS ACC. IEC 60384-12 BESONDERE MERKMALE NACH IEC 60384-12	TOLERANCING ISO 9013 TOLERIERUNG ISO 9013
DIESE ZEICHNUNG IST EIN KONTROLLIERTES DOKUMENT. DIMENSIONS AND TOLERANCES PER IEC 60384-12	
THIS DRAWING IS A CONTROLLED DOCUMENT. DIMENSIONS AND TOLERANCES PER IEC 60384-12	DATE: 070C1201G BY: J. Schwab CHK: J. Witzel APPV: J. Kettler PROJ: 070C1201G
REV. NO. / REVISIONEN DATE / DATUM BY / VON CHK / PRÜFUNG APPV / ANGELEGENDIGT	NAME: 2POS.MCP6.3.PLUG HSG.HVA630 KIT HV CONNECTOR
MATERIAL: SEE	SCALE: 1:1 SHEET: 1 OF 1 REV: F1

Mouser Electronics

Authorized Distributor

Click to View Pricing, Inventory, Delivery & Lifecycle Information:

[TE Connectivity:](#)

[YHVA630-2PHM-4MM-A](#)