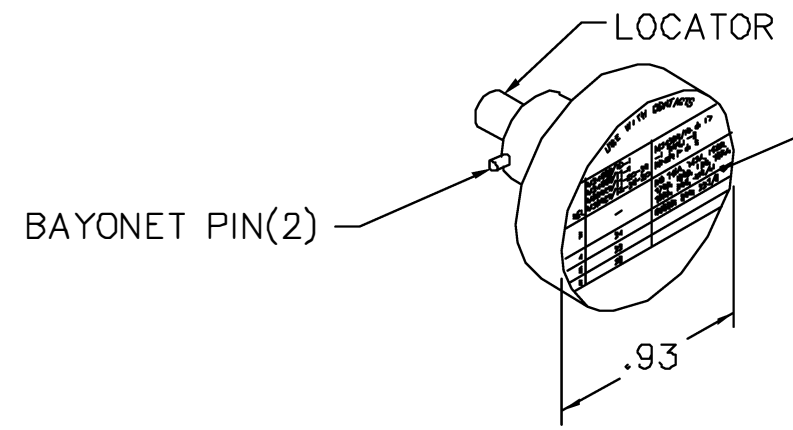
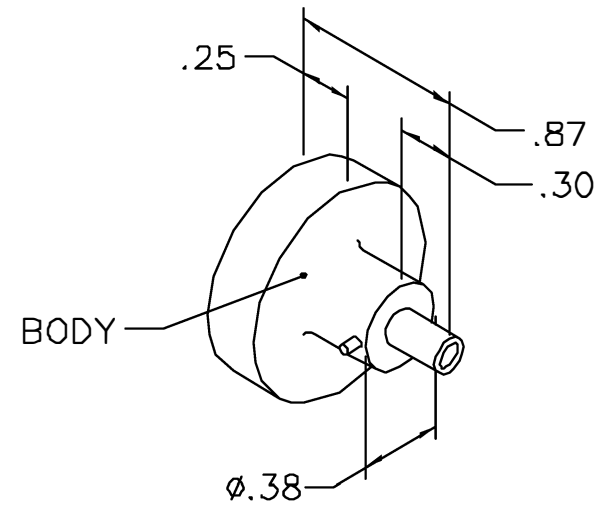


REVISIONS				
REV. SYM.	E.C.O. NUMBER	DESCRIPTION	BY DATE	APP'D DATE
1		ORIGINAL RELEASE	LCV 7-22-91	DE 7-91

**UNCONTROLLED DOCUMENT  
WILL NOT BE UPDATED**



USE WITH CONTACTS

	M24308/10-1 M24308/11-1 SEL M39029/12-20-20	M24308/16 & 17 -1 THRU -5 INNER P & S
3	—	RG 141A, 142A, 142B, 178B, 180B, 188, 195A, 196A, 303, 316/U
4	24	RG55B, 58C, 223/U
5	22	
6	2D	

NOTE! FOR USE WITH DANIELS CRIMP TOOLS  
ACCOMMODATING "86" SERIES POSITIONERS

HOLE DIA.	REMARKS
∅.078 ↕ .69	└ ∅.094 ↕ .025

<b>RESTRICTED &amp; CONFIDENTIAL</b> CONFIDENTIAL PROPERTY OF DANIELS MANUFACTURING CORP. NOT TO BE DISCLOSED TO OTHERS. REPRODUCED OR USED FOR ANY OTHER PURPOSE, EXCEPT AS AUTHORIZED IN WRITING BY DANIELS MANUFACTURING. MUST BE RETURNED TO DANIELS MANUFACTURING CORP. ON COMPLETION OF ORDER OR OTHER PURPOSE FOR WHICH SENT.	MATERIAL	ITEM	PART NO.	QTY.	DESCRIPTION/REMARKS
	HEAT TREAT	DRN.	L. VANDERKARR	DATE	7-22-91
		CHK'D.	DE	DATE	7-91
	FINISH	APP'D.	DATE	<b>DANIELS MANUFACTURING CORP.</b> ORLANDO, FLORIDA CAGE 11851	
APP'D.		DATE			
DO NOT SCALE DRAWING		NOTE: THIS DRAWING IS AN OUTLINE DRAWING OF THE RESPECTIVE DMC PART NUMBER INDICATED. ACTUAL DMC PART NUMBER IS DRAWING NUMBER WITHOUT THE "-ENV" SUFFIX.		<b>POSITIONER ENVELOPE DRAWING</b>  WHERE USED: SIZE B SCALE NTS CAD P/N 86-79-ENV SHEET OF 1 1 POSTING DWG. NO. 86-79-ENV REV. 1	

# Mouser Electronics

Authorized Distributor

Click to View Pricing, Inventory, Delivery & Lifecycle Information:

[Daniels Manufacturing:](#)

[86-79](#)