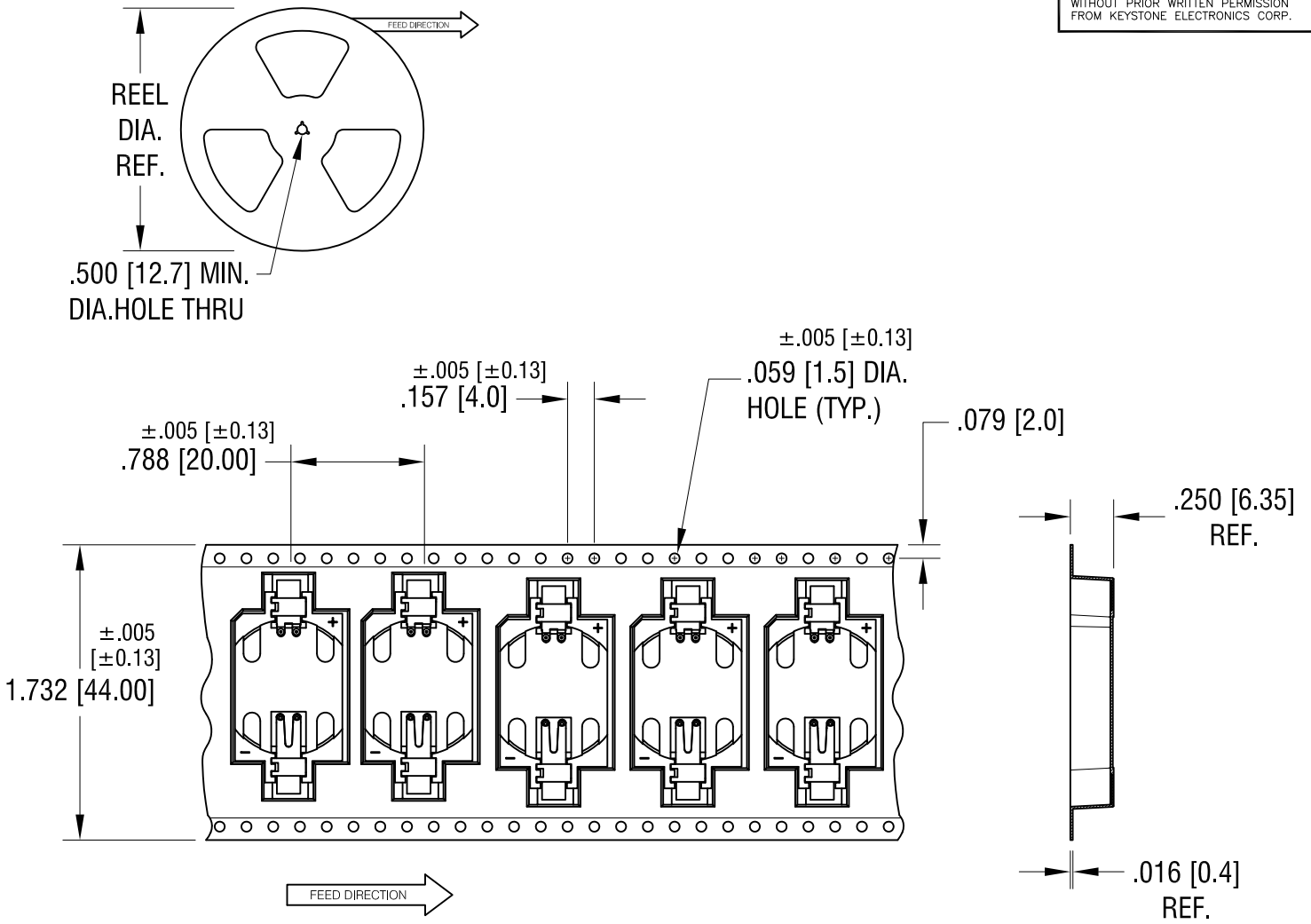


THIS DOCUMENT IS THE PROPERTY OF KEYSTONE ELECTRONICS CORP. AND SHALL NOT BE REPRODUCED, DISTRIBUTED OR USED AS A BASIS FOR MANUFACTURE WITHOUT PRIOR WRITTEN PERMISSION FROM KEYSTONE ELECTRONICS CORP.



NOTES:

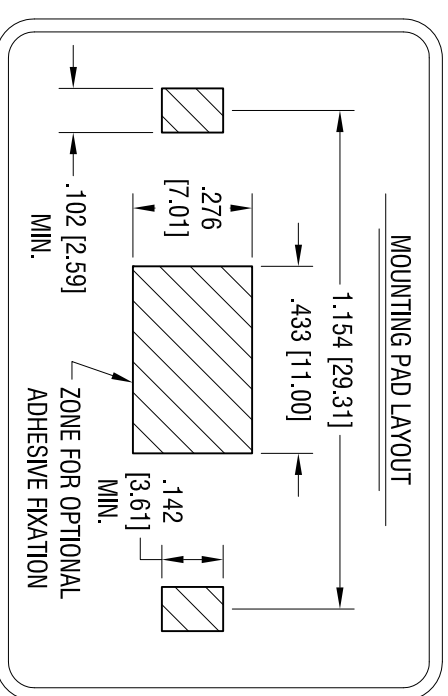
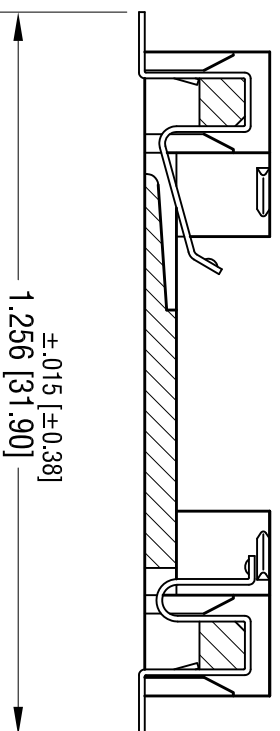
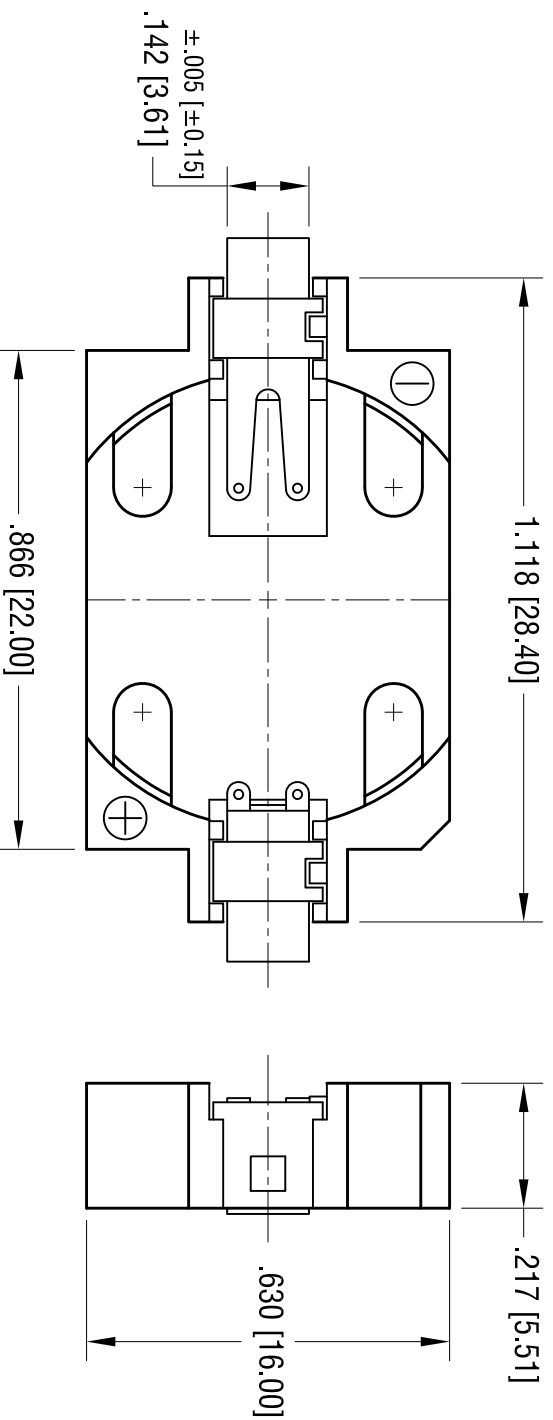
TAPE AND REEL SPECIFICATIONS:

1. TAPE:
MAT'L - ALL CONDUCTIVE POLYSTYRENE CARRIER
ANSI/EIA-481 STANDARD
2. REEL:
13.0 [330.2] DIA. 500 PIECES OF
PART NO. 1060 PER REEL.

11.10.15	CHANGE AS PER ECN 15-133	C
5.01.13	CHANGE AS PER ECN 13-038	B
6.18.07	CHANGE AS PER ECN 07-034	A
DATE	DESCRIPTION	REV.

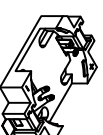
KEYSTONE ELECTRONICS CORP.			
www.keyelco.com • NEW HYDE PARK, NY 11040 • Tel (516) 328-7500			
PART NAME			
2032mm SM COIN CELL HOLDER ON TAPE			
MATERIAL			
AS NOTED			
FINISH		DRN BY	DATE
AS NOTED		BOONE	10.19.99
		APP'D	SCALE
		LN	1X
TOLERANCES	INCH [MM]	CODE	DWG NO.
DECIMAL	± .015 [± 0.38]	C	1060TR
ANGULAR	± 1°		
UNLESS OTHERWISE SPECIFIED			

DATE	DESCRIPTION	REV.
6.1.06	CHANGE AS PER ECN 06-033	E
12.12.08	CHANGE AS PER ECN 08-193	F
5.13.09	CHANGE AS PER ECN 09-038	G
8.12.11	CHANGE AS PER ECN 11-105	J
2.26.14	CHANGE AS PER ECN 14-019	K
7.25.14	CHANGE AS PER ECN 14-078	L



NOTES:

1. BASE:
MAT'L - GLASS FILLED LCP UL 94V-0
2. CONTACTS:
MAT'L - .006 [0.15] THK PHOSPHOR BRONZE
FINISH: GOLD FLASH PLATING



ACTUAL SIZE

THIS DOCUMENT IS THE PROPERTY OF KEYSTONE ELECTRONICS CORP. AND SHALL NOT BE REPRODUCED, DISTRIBUTED OR USED AS A BASIS FOR MANUFACTURE WITHOUT PRIOR WRITTEN PERMISSION FROM KEYSTONE ELECTRONICS CORP.

KEYSTONE ELECTRONICS CORP.

www.keystec.com • ASTORIA, N.Y. 11105-2017 • Tel (718) 956-8900

PART NAME

2032 BATTERY HOLDER, SMT

MATERIAL

AS NOTED

FINISH

AS NOTED

TOLERANCES	INCH	[MM]	CODE	DWG NO.
DECIMAL	± .010	[± 0.25]	C	1060
ANGULAR	± 1°			

DRN BY: BOONE DATE: 1.19.99

App'd: LN SCALE: 3X

Mouser Electronics

Authorized Distributor

Click to View Pricing, Inventory, Delivery & Lifecycle Information:

[Keystone Electronics:](#)

[1060TR](#)