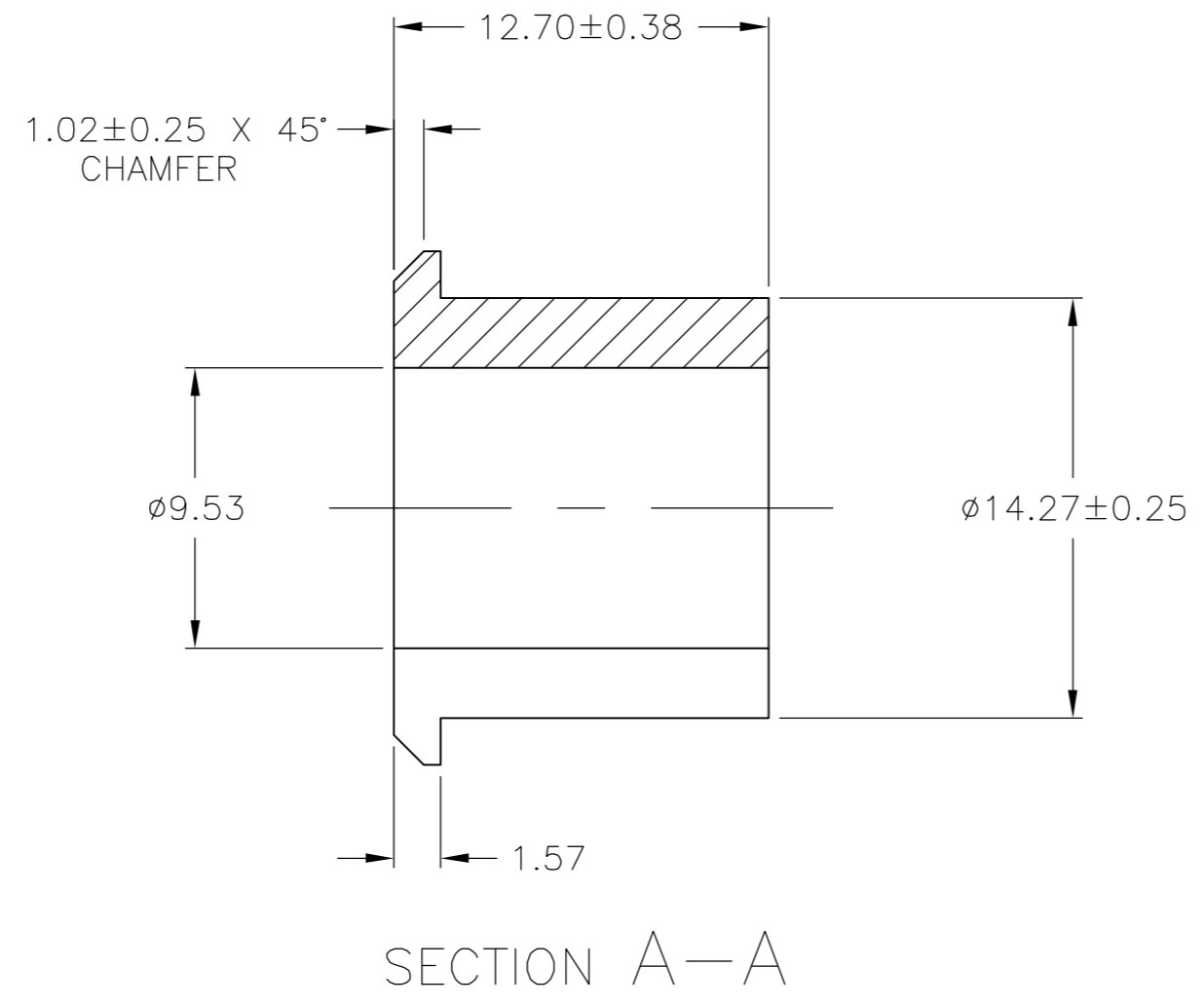
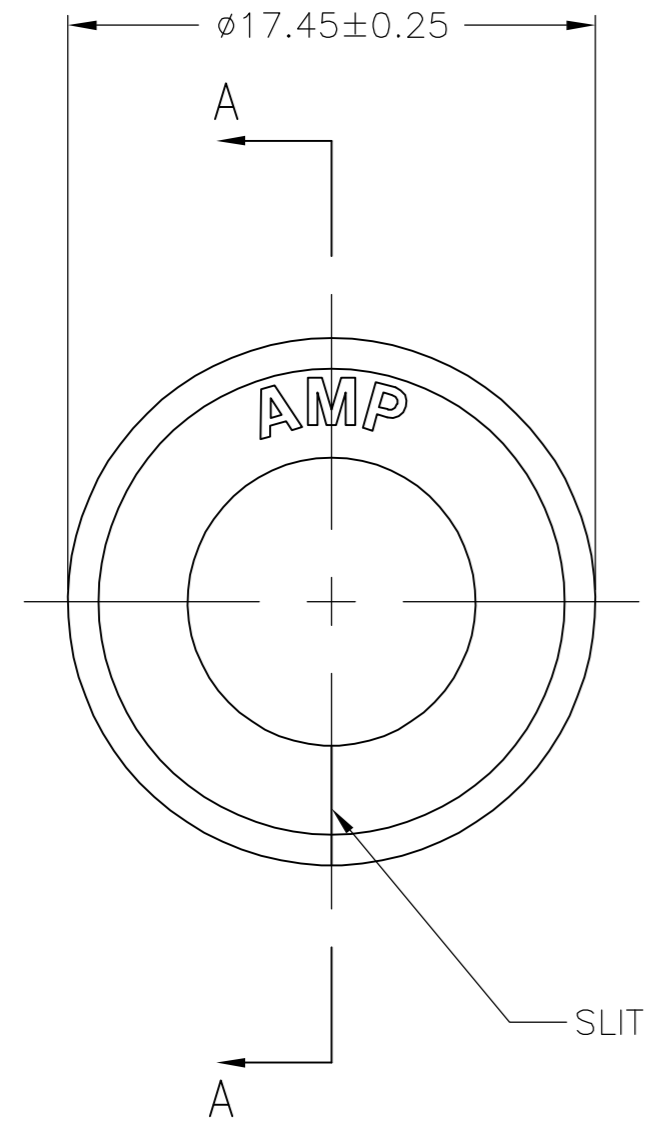
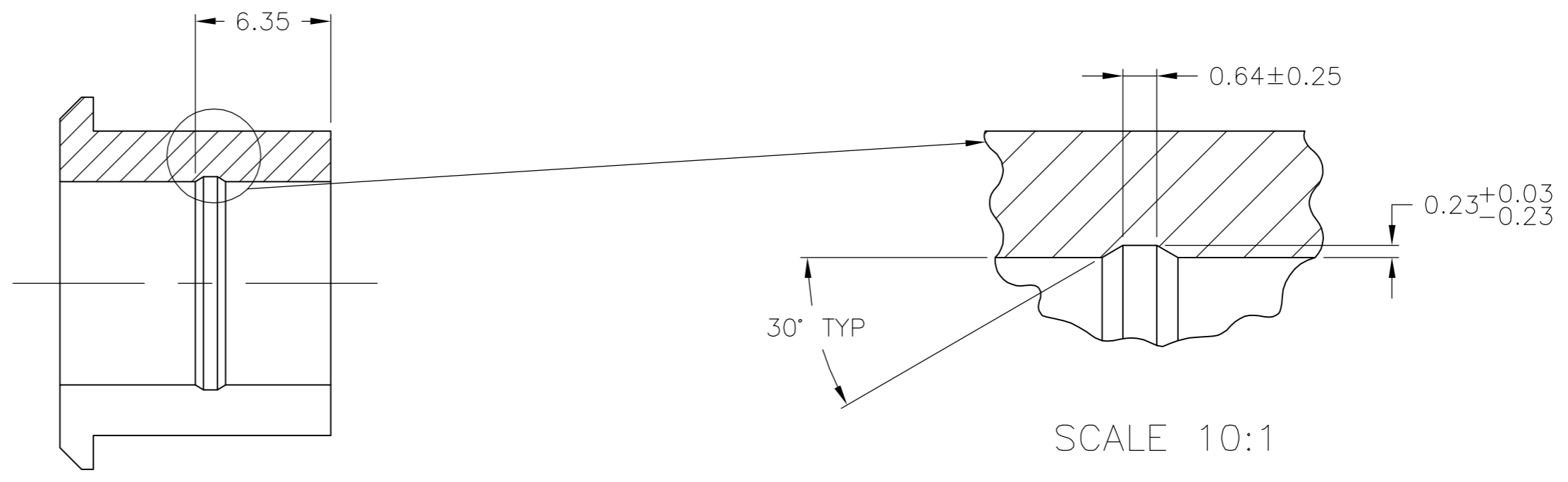
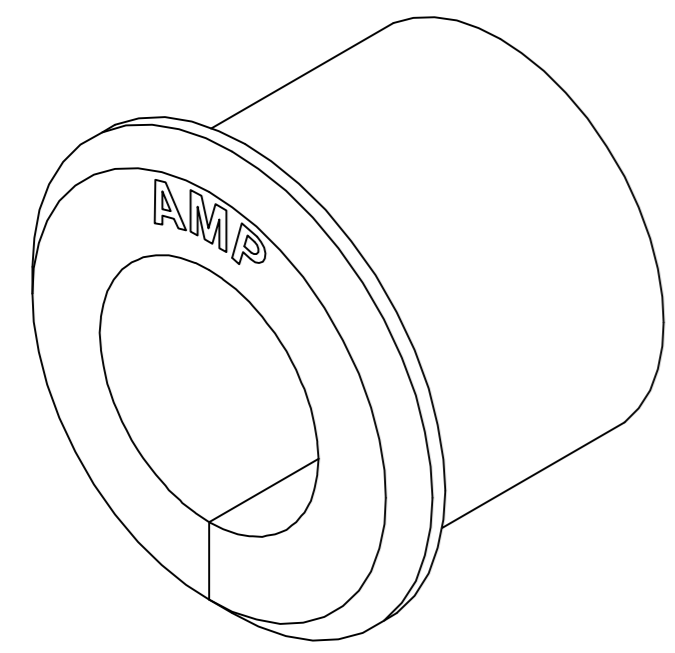


THIS DRAWING IS UNPUBLISHED. RELEASED FOR PUBLICATION
 © COPYRIGHT BY TYCO ELECTRONICS CORPORATION. ALL RIGHTS RESERVED.

LOC		DIST		REVISIONS			
P	LTR	DESCRIPTION		DATE	DWN	APVD	
	G	ECO-06-012706		09JUN06	BSV	JR	



1. USE WITH STRAIN RELIEF 480594.
2. MOLDING COMPOUND PVC, FLEXIBLE, 55/75 DUROMETER (B SCALE), BLACK.
3. MOLDING COMPOUND PVC, FLEXIBLE, BLACK.



SECTION A-A
OPTIONAL CONSTRUCTION

3-DIMENSIONAL MODEL
NTS

SUPERCEDED BY 2-380936-0	3	2-380936-0
	2	1-380936-0
	MATERIAL	PART NUMBER

MM	IN	MM	IN	MM	IN
0.38	.015	9.53	.375	-	-
0.25	.010	6.35	.250	-	-
0.23	.009	1.57	.062	17.45	.687
0.13	.005	1.02	.040	14.27	.562
0.03	.001	0.64	.025	12.70	.500

CONVERSION TABLE

METRIC

THIS DRAWING IS A CONTROLLED DOCUMENT.		DWN K. WHITAKER 24MAR06	 Tyco Electronics Corporation Harrisburg, Pa 17105-3608
DIMENSIONS: mm		CHK C. JONES 24MAR06	
TOLERANCES UNLESS OTHERWISE SPECIFIED:		APVD C. JONES 24MAR06	NAME GROMMET,SPLIT,M.R.
0 PLC ± - 1 PLC ± - 2 PLC ± - 3 PLC ± 0.13 4 PLC ± - ANGLES ± 1°		PRODUCT SPEC -	SIZE A2
MATERIAL SEE TABLE		APPLICATION SPEC -	CAGE CODE 00779
FINISH -		WEIGHT -	DRAWING NO C=380936
		CUSTOMER DRAWING	RESTRICTED TO -
		SCALE 4:1	SHEET 1 OF 1
			REV G

380936

Mouser Electronics

Authorized Distributor

Click to View Pricing, Inventory, Delivery & Lifecycle Information:

[TE Connectivity:](#)

[2-380936-0](#)