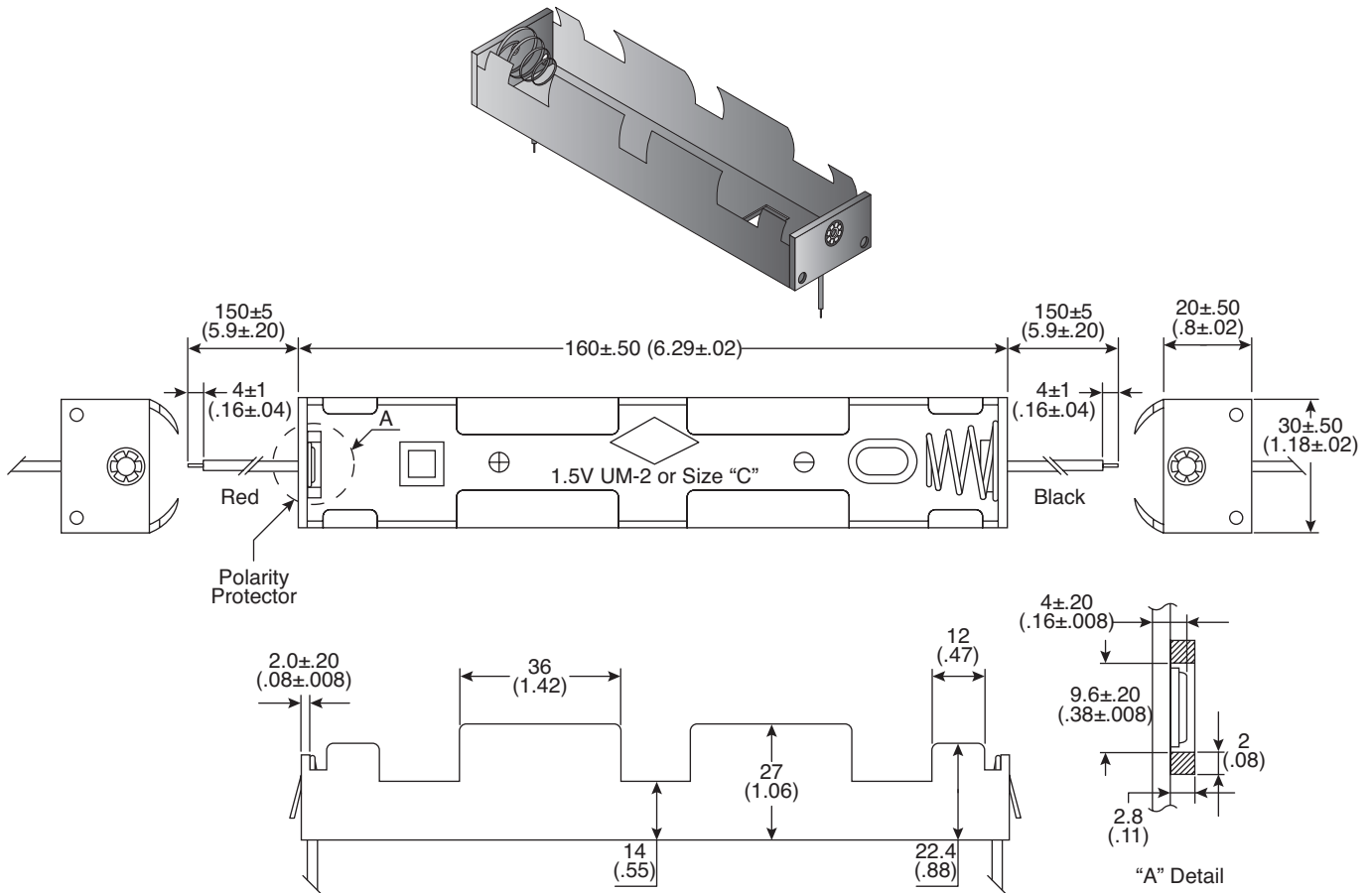


Last Revised: 5-10-12



Dimensions: mm (in.)

| SPECIFICATIONS | |
|-------------------------|-------------------------|
| Wire: | AWG#24 |
| Black & Red: | 150mm+5mm |
| Strip & Tin: | 4mm±1mm |
| Washer: | ø4 x ø8 x ø0.8 |
| Material: | P.P. Resin, Black Color |
| Spring: | 0.8mm 65C Spring Wire |
| RoHS Compliant | |

Available from Mouser Electronics
1-800-346-6873 / www.mouser.com

EPD-200844

Mouser Electronics

Authorized Distributor

Click to View Pricing, Inventory, Delivery & Lifecycle Information:

[Eagle Plastic Devices:](#)

[12BH231A-GR](#)