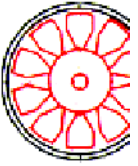




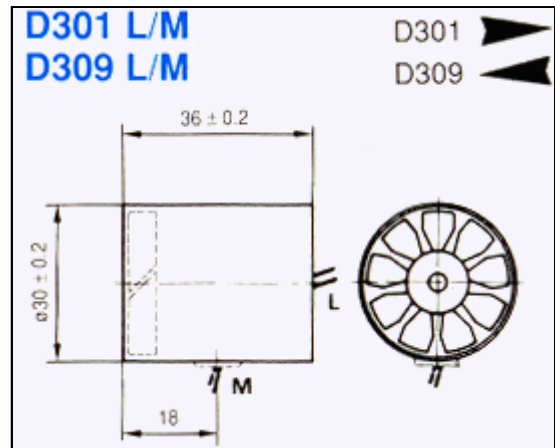
micronel

1280 LIBERTY WAY, VISTA, CA 92083 760/727-7400 FAX 760-727-4436



Vaneaxial

FAN MODEL # D301 L/M / D309 L/M



SPECIFICATIONS:

SIZE 1.18 x 1.42 INCHES

VOLTAGE 6 / 12 / 24

SHAPE CYLINDRICAL

WATTS 0.84

RPM 13,000 / 14,000

CFM 5.6

MBAR 1.1-1.2

LIFE 15000 HOURS

NOISE 41 DBA

TEMP. - 20 TO + 65 C

BEARINGS SLEEVE

WEIGHT 35 GRAMS

PLASTIC POLYPHENYLENE OXIDE

APPLICATIONS:

- 1) LAMP COOLING
- 2) SPOT COOLING
- 3) AIR VELOCITY SENSOR
- 4) LOW PROFILE ELECTRONIC PACKAGE COOLING
- 5) BATTERY OPERATED DEVICES
- 6) AIR SAMPLING DEVICES

NOTES:

- 1) BRUSHLESS VERSIONS AVAILABLE – THIRD QUARTER 99.
- 2) LEAD TERMINATION PER CUSTOMER SPECIFICATION.
- 3) SENSORS AVAILABLE FOR TEMPERATURE OR HUMIDITY