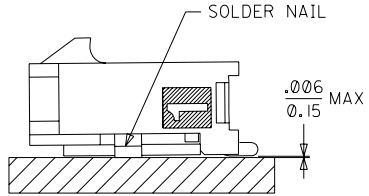
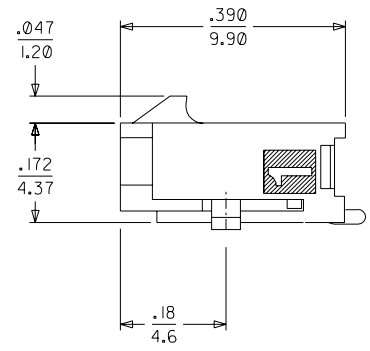
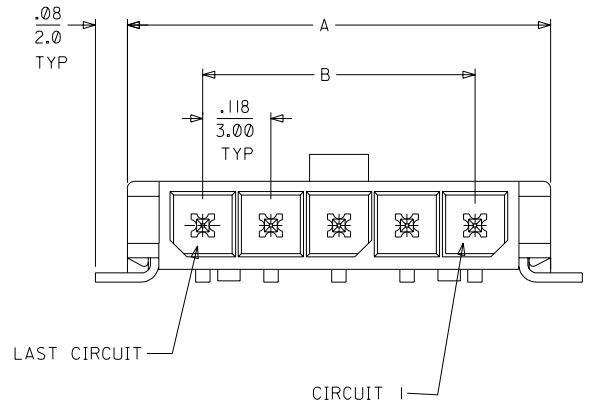


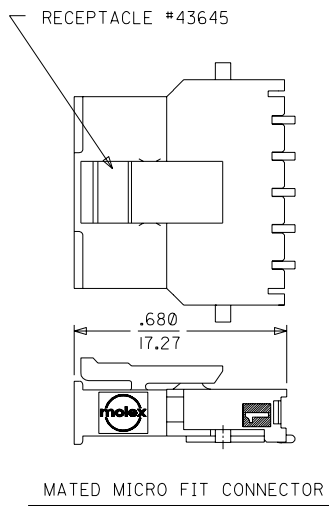
PCB LAYOUT: COMPONENT SIDE



COPLANARITY DETAIL  
SEE NOTE #6



CKTS	A	B	C
2	.380 9.65	.118 3.00	.559 14.20
3	.498 12.65	.236 6.00	.677 17.20
4	.616 15.65	.354 9.00	.795 20.20
5	.734 18.64	.472 12.00	.913 23.20
6	.852 21.64	.591 15.00	1.031 26.20
7	.970 24.64	.709 18.00	1.150 29.20
8	1.088 27.64	.827 21.00	1.268 32.20
9	1.206 30.63	.945 24.00	1.386 35.20
10	1.325 33.66	1.063 27.00	1.504 38.20
11	1.443 36.65	1.181 30.00	1.622 41.20
12	1.561 39.65	1.299 33.00	1.740 44.20



NOTES:

- HOUSING MATERIAL: LIQUID CRYSTAL POLYMER, GLASS FILLED, UL94V-0, COLOR: BLACK  
TERMINAL MATERIAL: BRASS ALLOY
- FINISH:
  - A = .000100/(0.0025) MIN TIN/LEAD (90/10) OVER .000050/(0.0013) NICKEL PLATE.
  - B = .000015/(0.00038) MIN GOLD IN SELECTIVE AREA; .000050/(0.0013) MIN TIN/LEAD (90/10) ON SOLDER TAILS BOTH OVER .000050/(0.0013) NICKEL PLATE.
  - C = .000030/(0.00076) MIN GOLD IN SELECTIVE AREA; .000050/(0.0013) MIN TIN/LEAD (90/10) ON SOLDER TAILS BOTH OVER .000050/(0.0013) NICKEL PLATE.
- PRODUCT SPECIFICATION: PS-43650
- MATES WITH MICRO FIT (3.0) RECEPTACLE SERIES 43645
- TAPE AND REEL PACKAGED : SEE MOLEX DRAWING PK-70873-07\*\*
- THE COPLANARITY DIMENSION IS ESTABLISHED BY PLACING THE ASSEMBLY ON A FLAT SURFACE. THE DISTANCE FROM THAT SURFACE TO THE BOTTOM OF ANY TERMINAL OR NAIL MUST NOT EXCEED .006/0.15

CKTS	FINISH A	FINISH B	FINISH C
	MATERIAL NO:	MATERIAL NO:	MATERIAL NO:
02	43650-0212	43650-0213	43650-0214
03	43650-0312	43650-0313	43650-0314
04	43650-0412	43650-0413	43650-0414
05	43650-0512	43650-0513	43650-0514
06	43650-0612	43650-0613	43650-0614
07	43650-0712	43650-0713	43650-0714
08	43650-0812	43650-0813	43650-0814
09	43650-0912	43650-0913	43650-0914
10	43650-1012	43650-1013	43650-1014
11	43650-1112	43650-1113	43650-1114
12	43650-1212	43650-1213	43650-1214

.39 WAS 3.9 EC NO. UCP2003-0160 DRWING: SAMIEC 7/25/02 CHK: MUELLER 7/25/02 APPR: MARGULIS 7/25/02	QUALITY SYMBOLS MAJOR $\nabla = 0$ CRITICAL $\nabla = 0$	GENERAL TOLERANCES: (UNLESS SPECIFIED) mm    INCH 4 PLACES ±0.    ±. 3 PLACES ±0.    ±.010 2 PLACES ±0.25    ±.014 1 PLACE ±0.36    ±. ANGULAR: ±1/2 °	SCALE:    DESIGN UNITS □ mm    □ INCH DRAWN BY & DATE SAMIEC 00/07/07 CHECKED BY & DATE MUELLER 00/07/07 APPROVED BY & DATE EDGLEY 00/07/07	DIMENSIONS: □ mm    □ INCH    □ mm    □ INCH THIRD ANGLE PROJECTION TITLE: MICRO FIT (3.0) SINGLE ROW / RIGHT ANGLE SMT / NAILS / REELS MOLEX MOLEX INCORPORATED	SHT    REV ONLY    ONLY REVISE ON CAD ONLY	
	CAD FILENAME	MATERIAL NO.    DRAWING NO. SEE CHART    SD-43650-005	SHEET NO.    SIZE 1 OF 1    C			
	DRAFT WHERE APPLICABLE MUST REMAIN WITHIN DIMENSIONS			THIS DRAWING CONTAINS INFORMATION THAT IS PROPRIETARY TO MOLEX INCORPORATED AND SHOULD NOT BE USED WITHOUT WRITTEN PERMISSION.		
	REV					