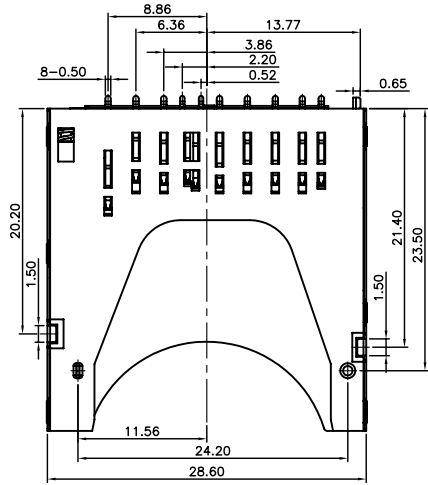
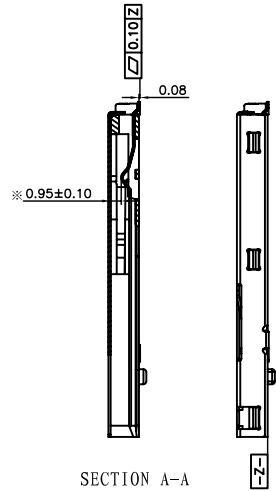
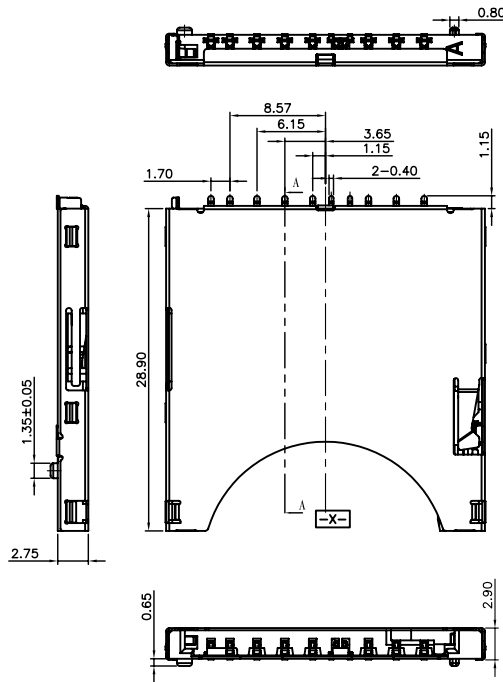


REV	DATE	ECN NO.	MODIFICATION	APPROVER
C	2011/05/09	RD00311050901	增加产品电镀规格, 详见"ⓐ"处	HYQ
D	2012/04/20	RD00312042001	依实物修改图面尺寸, 详见"ⓑ"处	Jason
E	2013/10/11	RD00313101101	依实物修改图面尺寸, 详见"ⓒ"处	Jason

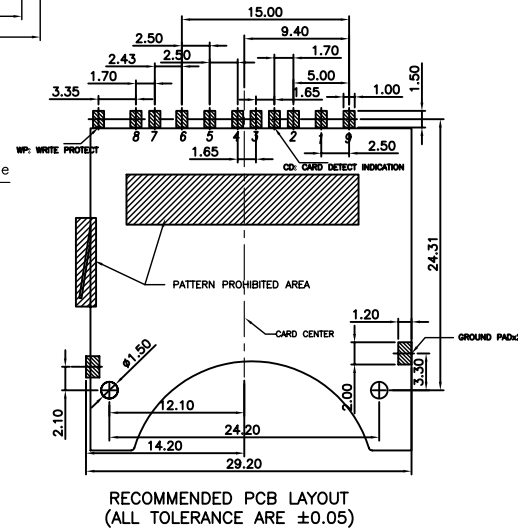
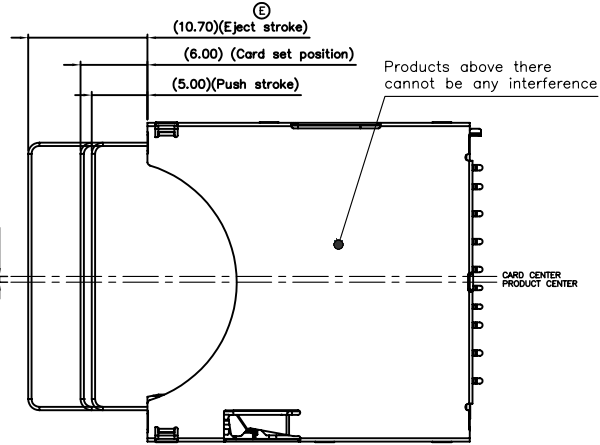
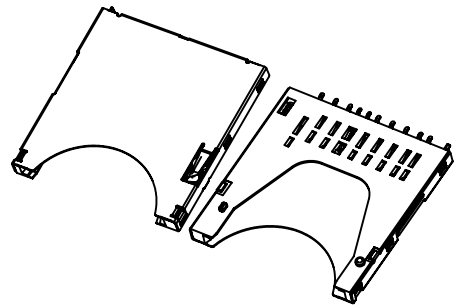


SPECIFICATION

1. Material:
 Insulator: LCP, rated UL94V-0, color: black.
 Contacts: Phosphor Bronze, Tin 160u" at Solder Tail, Selected Gold on Contact Area Plating.
 WP Contact: Phosphor Bronze, Tin 160u" at Solder Tail, Selected Gold on Contact Area Plating.
 Shell: Stainless. Pickling

2. Electrical Characteristics:
 Operating voltage : 100V AC(rms)/DC.
 Current rating : 0.5 A.
 Operating Temperature: -25°C~+90°C.
 Insulation resistance: 1000M ohms min. at 250VDC
 Dielectric withstanding voltage: 500 VAC/1minute.
 Contact resistance: 100m ohms max.
 Mating cycle: 10000 cycles at the speed rate of 400-600 cycles/h; Without distortion of plastic and serious wear and tear in terminal, No signal break.

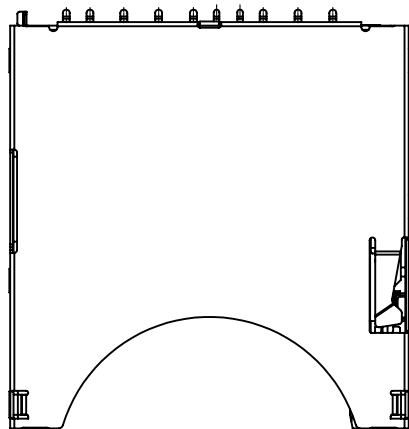
3. Product special future symbol: "※".



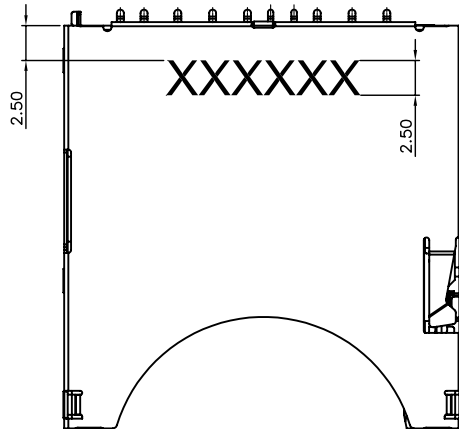
Pin No.	SD	MMC
P1	MMC-DAT3 SD-CD/DAT3	1P 1P
P2	MMC-CMD SD-CMD	2P 2P
P3	MMC-VSS1 SD-VSS1	3P 3P
P4	MMC-VDD SD-VDD	4P 4P
P5	MMC-CLK SD-CLK	5P 5P
P6	MMC-VSS2 SD-VSS2	6P 6P
P7	MMC-DAT0 SD-DAT0	7P 7P
P8	SD-DAT1	8P
P9	SD-DAT2	9P

CIRCUIT:		WP	GROUND	WP	GROUND	WP	GROUND
WP	GROUND	WP	GROUND	WP	GROUND	WP	GROUND
CD	#3	CD	#3	CD	#3	CD	#3
WITHOUT CARD		CARD INSERTED WRITE PROTECT : LOCK		CARD INSERTED WRITE PROTECT : UNLOCK			

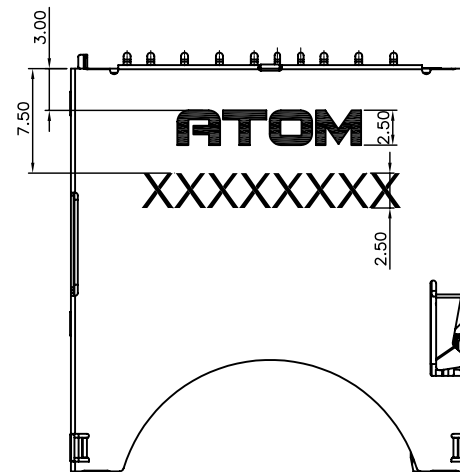
GENERAL TOLERANCE	UNITS	mm	NAME:	ATOM [®] 深圳市爱特姆科技有限公司 SHENZHEN ATOM TECHNOLOGY CO., LTD.	
SELECT	✓		SD PUSH PUSH conn.	PART NO:	TITLE:
ON.	1	2		SD01A-01***	SD PUSH PUSH conn.(post ø1.35)
X.XXX	±0.10	±0.05	±0.15	APPD:	DWG NO.
X.XX	±0.15	±0.13	±0.25	Jason	ATOM-A01458
X.X	±0.20	±0.25	±0.5	CHKD:	SCALE
X.	±0.30	±0.35	±1.00	Vicky	1:1
ANGLE	±2'			DR:	SHEET
				Aimee	1/2
					REV
					E



第一种:外壳无喷码



第二种:外壳有喷码 (年月日)



第三种:外壳有喷码 (ATOM+年月日)

NOTES:1.XXXXXX:Year Month Day, e.g. May 4th, 2010,
jet printing 100504
2.XXXXXXXXX:Year Month Day, e.g. May 4th, 2010,
jet printing 20100504

GENERAL TOLERANCE			UNITS	NAME:	SD PUSH PUSH conn. ATOM 深圳市爱特姆科技有限公司 SHENZHEN ATOM TECHNOLOGY CO., LTD.			
SELECT	TOL.	1	2	3	PART NO:	TITLE:		
ON.		✓			SD01A-01***	SD PUSH PUSH conn.(post Ø1.35)		
X.XXX	±0.10±0.05±0.15				APPD:	DWG NO.		
X.XX	±0.15±0.13±0.25				Jason	ATOM-A01458		
X.X	±0.20±0.25±0.5				CHKD:	SCALE SHEET REV		
X.	±0.30±0.35±1.00				Vicky	1:1 2/2 E		
ANGLE	±2'				DR:	Aimee		