

Customer Information Sheet

DRAWING No.: M83-LMTIMINXX-0000-0000

SHEET 2 OF 2

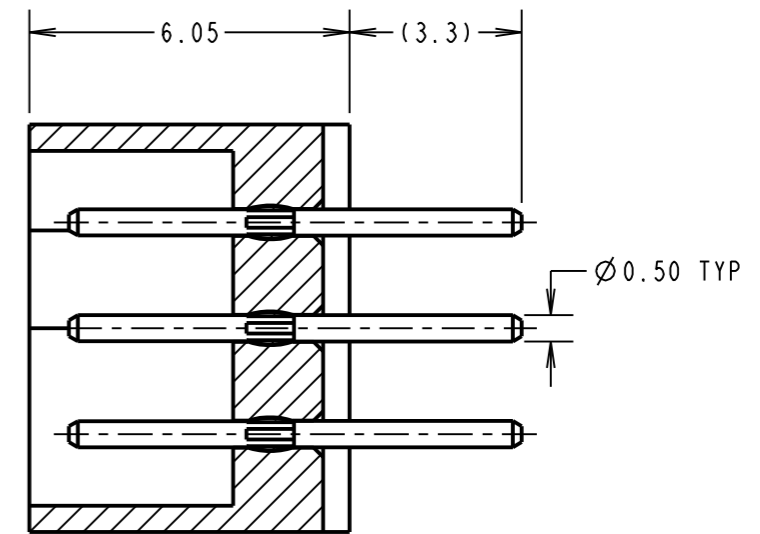
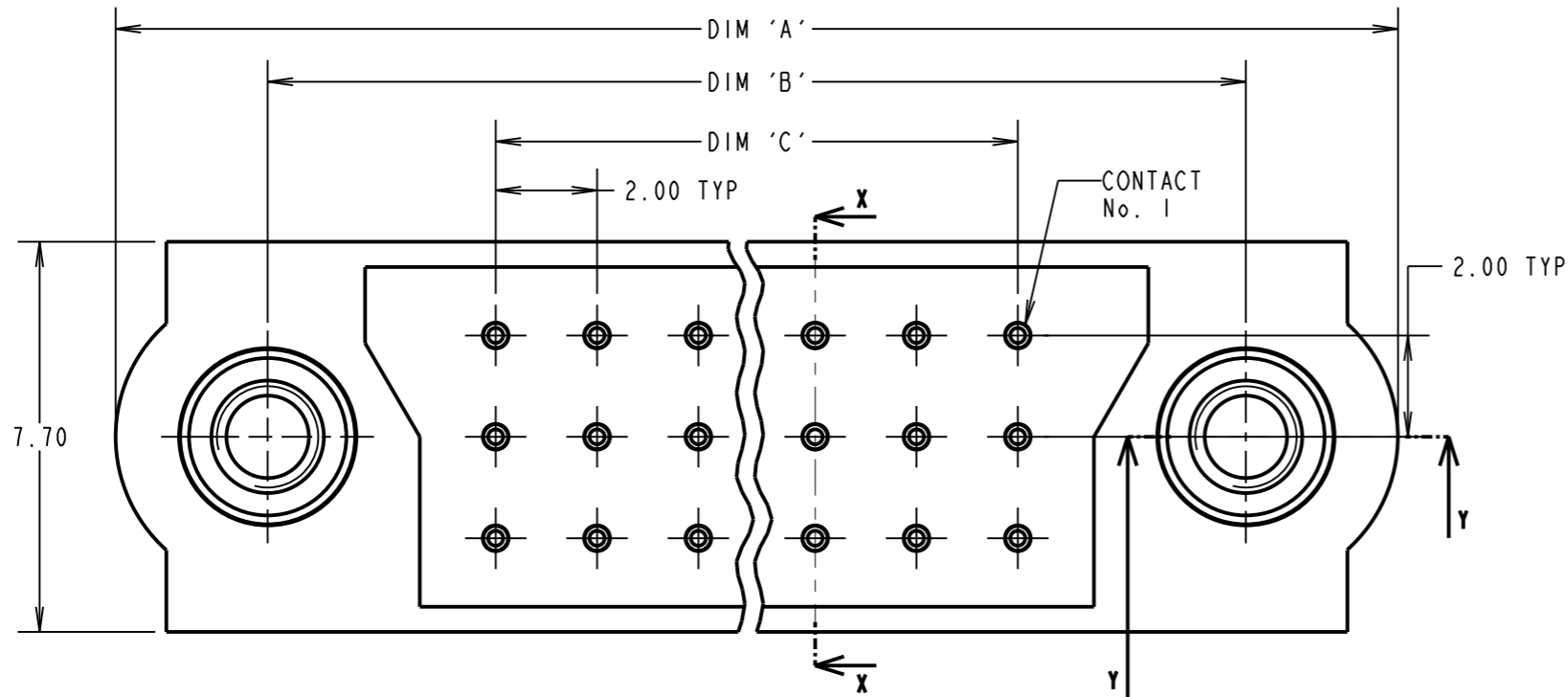
IF IN DOUBT - ASK

©

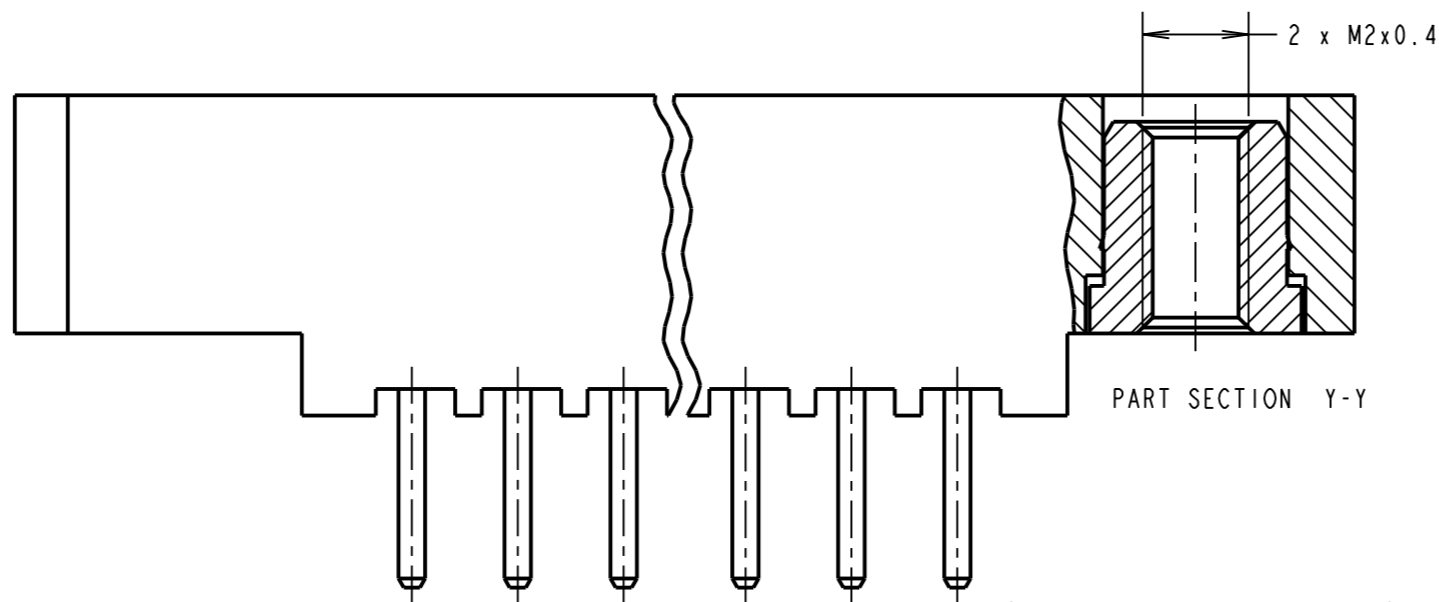
NOT TO SCALE

THIRD ANGLE PROJECTION

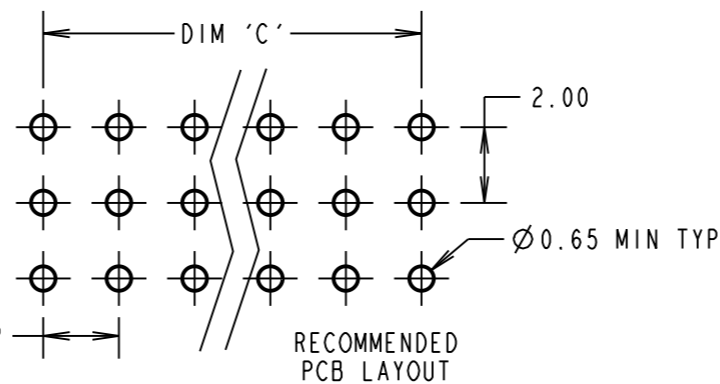
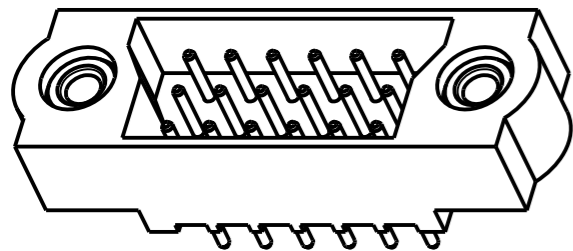
ALL DIMENSIONS IN mm



SECTION X-X



PART SECTION Y-Y



SPECIFICATIONS:

MATERIAL:

MOULDING = GLASS-FILLED PPS,
UL94V-0, BLACK

JACKSCREW = STAINLESS STEEL

CONTACT = BRASS

FINISH:

CONTACT = 0.75µ GOLD

ELECTRICAL:

CURRENT RATING AT 25°C = 3.0A MAX

CURRENT RATING AT 85°C = 2.2A MAX

CONTACT RESISTANCE = 25 mΩ MAX

WORKING VOLTAGE = 120V AC/DC

VOLTAGE PROOF = 360V AC/DC

INSULATION RESISTANCE = 100 MΩ MIN

MECHANICAL:

DURABILITY = 500 OPERATIONS

ENVIRONMENTAL:

TEMPERATURE RANGE = -55°C TO +125°C

PACKING:

TRAY

FOR COMPLETE SPECIFICATION, SEE
COMPONENT SPECIFICATION C005XX
(LATEST ISSUE)

SB	2	10.02.12	11638
NAME	ISS.	DATE	C/NOTE
APPROVED:		S.BENNETT	
CHECKED:		S.FLOWER	
DRAWN:		S. MCCULLAGH	
CUSTOMER REF.:			
ASSEMBLY DRG:			

ORDER CODE:

M83-LMTIMINXX-0000-000

TOTAL No. OF CONTACTS
18, 27, 36, 54, 60, 63, 72, 96

DIMENSION	CALCULATION
DIM 'A'	((TOTAL No. OF CONTACTS /3) x2) +13
DIM 'B'	((TOTAL No. OF CONTACTS /3) x2) +7
DIM 'C'	((TOTAL No. OF CONTACTS /3) x2) -2
EXAMPLE: CONNECTOR WITH 27 CONTACTS, M83-LMTIMIN27-0000-000 DIM 'A' = 31.00, DIM 'B' = 25.00, DIM 'C' = 16.00	

HARWIN

www.harwin.com
technical@harwin.com

THIS DRAWING AND ANY INFORMATION OR DESCRIPTIVE MATTER SET OUT HEREON ARE CONFIDENTIAL AND COPYRIGHT PROPERTY OF THE HARWIN GROUP AND MUST NOT BE DISCLOSED, LOANED, COPIED OR USED FOR MANUFACTURING, TENDERING OR FOR ANY OTHER PURPOSE WITHOUT THEIR WRITTEN PERMISSION.

TOLERANCES
X. = ±1mm
X.X = ±0.25mm
X.XX = ±0.10mm
X.XXX = ±0.01mm
ANGLES = ±5°
UNLESS STATED

MATERIAL:
SEE ABOVE
FINISH:
SEE ABOVE
S/AREA:
mm²

TITLE: JACKSCREW DATAMATE
3-ROW VERTICAL MALE
3.3mm PC-TAIL ASSEMBLY

DRAWING NUMBER:
M83-LMTIMINXX-0000-000

SHT
2 OF 2

Mouser Electronics

Authorized Distributor

Click to View Pricing, Inventory, Delivery & Lifecycle Information:

Harwin:

[M83-LMT1M1N18-0000-000](#) [M83-LMT1M1N96-0000-000](#) [M83-LMT1M1N60-0000-000](#) [M83-LMT1M1N36-0000](#)
[M83-LMT1M1N54-0000-000](#)