

8-Zone Expansion Modules

ZX8

V6.0



PARADOX.COM
Printed in Canada- 06/14

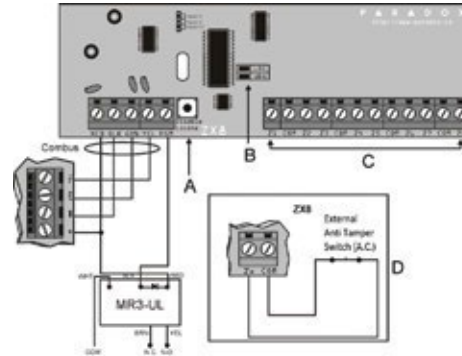


Figure 1: ZX8 Connections

The 8-zone Expansion Module (ZX8) is an interface between the control panels and any hardwired detection devices. The ZX8 connects to the control panel's combus to provide eight additional hardwired inputs and one 50mA on-board PGM output.

Specifications

Input voltage:	Typically 12 to 16 Vdc	No. of zones:	8 standard zone inputs
Current cons.:	28mA	Oper. temperature:	-20°C to 50°C (-4°F to 122°F)*
Max.# of ZX8:	max.3: MG/SP Series	Compatibility:	Any Digiplex or Digiplex EVO series control panel Any SP Series control panel (V2.0 or higher) MG5000/MG5050 control panels (V2.0 or higher) WinLoad Software V2.03 or higher NOTE: For 1728/1738 compatibility, refer to the ZX8SP instructions.
No. of outputs:	One 50mA PGM	No. of inputs:	8 inputs

Installation

Connect the module as shown in Figure 1.

Table 1: Illustration

A	Digiplex +Digiplex EVO A "Locate" request coming from the control panel can be disabled by pressing the "Disable Locate". MG/SP Series Press the "Disable Locate" for 3 seconds. Fast flash of the green LED occurs. Jumper settings can be changed.
B	Green "LOC" LED Digiplex and Digiplex EVO Remains illuminated during power up Flashes fast to indicate it is receiving a "Locate" request from the control panel. To disable a "Locate" request, press the "Disable Locate" switch. SP Series and MG5050 Flashes fast to indicate a change in jumper setting. Red "WDG" LED All panels flashes to indicate proper operation If both "LOC" and the "WDG" LED are flashing alternately, the module is experiencing a communication failure with the control panel.
C	Connect the detection devices to the ZX8 input terminals exactly as shown in the appropriate control panel's <i>Programming Guide</i> .
D	Digiplex and Digiplex EVO Z8: Input terminal Z8 can be used as an anti-tamper switch input. Enable section [001] option [1] MG/SP Series Z1: Input terminal Z1 can be used as an anti-tamper switch input. Enable section [706] option [4] for panel+1, option [5] for panel+9 and option [6] for panel+17

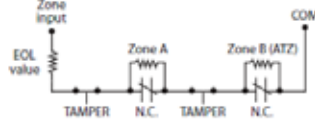
Table 2: Jumper Setting

		MAGELLAN™				SP SPECTRA®								
	MG5000 (2 on-board zones)		MG5050 (5 on-board zones)		SP4000 (4 on-board zones)		SP5500 (5 on-board zones)		SP6000 (8 on-board zones)		SP65 (9 on-board zones)		SP7000 (16 on-board zones)	
	No/	With/	No/	With/	No/	With/	No/	With/	No/	With/	No/	With/	No/	With/
	ATZ	ATZ	ATZ	ATZ	ATZ	ATZ	ATZ	ATZ	ATZ	ATZ	ATZ	ATZ	ATZ	ATZ
	zones/		zones/		zones/		zones/		zones/		zones/		zones/z	
A / Panel+1*	3-10	5-12	6-13	11-18	5-12	9-16	6-13	11-18	9-16	17-24	10-17	19-26	17-24	-
B / Panel+9*	11-18	13-20	14-21	19-26	13-20	17-24	14-21	19-26	17-24	25-32	18-25	27-32	25-32	-
C / Panel+17*	19-26	21-28	22-29	27-32	21-28	25-32	22-29	27-32	25-32	-	26-32	-	-	-

*Press "Disable Locate" for 3 seconds to change jumper setting

Table 3: Options

	Programming Method 1. Hold [0] key+ [INSTALLER CODE] 2. Enter section [953] (DGP-848) [4003] (EVO) 3. Enter module's 8-digit [SERIAL NUMBER] 4. Enter [SECTION] and turn desired option ON/OFF or enter the required data												
Sections	Options												
[001]	<table border="0"> <tr> <td>[1] Tamper Recognition</td> <td>OFF† = Disabled</td> <td>ON = Enabled (Z8)</td> </tr> <tr> <td>[2] PGM Deactivation</td> <td>OFF† = Deact. Event</td> <td>ON = PGM timer</td> </tr> <tr> <td>[3] PGM Normal State</td> <td>OFF† = N.O.</td> <td>ON = N.C.</td> </tr> <tr> <td>[4] PGM Base time</td> <td>OFF† = 1 sec.</td> <td>ON = 1 min.</td> </tr> </table>	[1] Tamper Recognition	OFF† = Disabled	ON = Enabled (Z8)	[2] PGM Deactivation	OFF† = Deact. Event	ON = PGM timer	[3] PGM Normal State	OFF† = N.O.	ON = N.C.	[4] PGM Base time	OFF† = 1 sec.	ON = 1 min.
[1] Tamper Recognition	OFF† = Disabled	ON = Enabled (Z8)											
[2] PGM Deactivation	OFF† = Deact. Event	ON = PGM timer											
[3] PGM Normal State	OFF† = N.O.	ON = N.C.											
[4] PGM Base time	OFF† = 1 sec.	ON = 1 min.											
[002]-[016] Even Numbered	Input Speed (Base Time Selection) (Default = all inputs @ 600ms) Even numbered sections represent inputs terminals Z1 to Z8. Using [▼] and [▲] keys. Select a Base Time value from 000 to 002. Press [ENTER]. 000= Input Speed is X by 15 milliseconds. 001= Input Speed is X by 1 second. 002= Input Speed is X by 1 minute.												

[003]-[017] Odd Numbered	Input Speed (Time Value) Odd numbered sections represent inputs Z1 to Z8. Enter a 3-digit decimal time value (000 to 255). Multiply by the Input Speed.																																								
[018]	PGM Timer Enter a 3-digit decimal value (001-255). Multiply by the PGM Base Time Selection.																																								
[019] [020] [021] [022]	Activation Event* _/_/_ Event Group _/_/_ Feature Group _/_/_ Start# Set the range within the Feature Group _/_/_ End# Set the range within the Feature Group																																								
[023] [024] [025] [026]	Deactivation Event* _/_/_ Event Group _/_/_ Feature Group _/_/_ Start# Set the range within the Feature Group _/_/_ End# Set the range within the Feature Group																																								
[030]	PGM Test Mode Activate PGM for 8 seconds to verify if the PGM is functioning properly.																																								
[401]	<p>EOL/ATZ Options per Zone Input</p> <table border="1"> <tr> <th>Section</th> <th>Input 1 / Input 2</th> <th>Input 3 / Input 4</th> <th>Input 5 / Input 6</th> <th>Input 7 / Input 8</th> </tr> <tr> <td>[0401] Zone Input Options</td> <td>_/_/ (0/0)</td> <td>_/_/ (0/0)</td> <td>_/_/ (0/0)</td> <td>_/_/ (0/0)</td> </tr> </table> <p>By default, all options are configured as "0". This means that all zone inputs will follow the global setting at panel section [3033], options 7 and 8. However, if you change the value from 1 to 4, the inputs will follow the desired settings as shown below: Zone Input Option Individual Settings</p> <table border="1"> <thead> <tr> <th>Option</th> <th>Description</th> </tr> </thead> <tbody> <tr> <td>0</td> <td>System default, zone will follow global panel settings for EOL and ATZ set in section [3033], options 7 & 8.</td> </tr> <tr> <td>1</td> <td>No EOL, No ATZ</td> </tr> <tr> <td>2</td> <td>EOL enabled, No ATZ</td> </tr> <tr> <td>3</td> <td>No EOL, ATZ enabled</td> </tr> <tr> <td>4</td> <td>EOL enabled, ATZ enabled</td> </tr> </tbody> </table>	Section	Input 1 / Input 2	Input 3 / Input 4	Input 5 / Input 6	Input 7 / Input 8	[0401] Zone Input Options	_/_/ (0/0)	_/_/ (0/0)	_/_/ (0/0)	_/_/ (0/0)	Option	Description	0	System default, zone will follow global panel settings for EOL and ATZ set in section [3033], options 7 & 8.	1	No EOL, No ATZ	2	EOL enabled, No ATZ	3	No EOL, ATZ enabled	4	EOL enabled, ATZ enabled																		
Section	Input 1 / Input 2	Input 3 / Input 4	Input 5 / Input 6	Input 7 / Input 8																																					
[0401] Zone Input Options	_/_/ (0/0)	_/_/ (0/0)	_/_/ (0/0)	_/_/ (0/0)																																					
Option	Description																																								
0	System default, zone will follow global panel settings for EOL and ATZ set in section [3033], options 7 & 8.																																								
1	No EOL, No ATZ																																								
2	EOL enabled, No ATZ																																								
3	No EOL, ATZ enabled																																								
4	EOL enabled, ATZ enabled																																								
[402]	<p>Selectable Input Resistor for EOL and Contact</p> <table border="1"> <tr> <th>Input 1 / Input 2</th> <th>Input 3 / Input 4</th> <th>Input 5 / Input 6</th> <th>Input 7 / Input 8</th> </tr> <tr> <td>_/_/ (0/0)</td> <td>_/_/ (0/0)</td> <td>_/_/ (0/0)</td> <td>_/_/ (0/0)</td> </tr> </table> <p>Zone Input Option Individual Settings</p> <table border="1"> <thead> <tr> <th>Option</th> <th>EOL Value</th> <th>Zone A Value</th> <th>Zone B Value(ATZ)</th> </tr> </thead> <tbody> <tr> <td>0</td> <td>1K</td> <td>1K</td> <td>2K2</td> </tr> <tr> <td>1</td> <td>2K2</td> <td>1K5</td> <td>N/A</td> </tr> <tr> <td>2</td> <td>3K3</td> <td>3K3</td> <td>N/A</td> </tr> <tr> <td>3</td> <td>4K7</td> <td>4K7</td> <td>N/A</td> </tr> <tr> <td>4</td> <td>4K7</td> <td>6K8</td> <td>N/A</td> </tr> <tr> <td>5</td> <td>2K2</td> <td>4K7</td> <td>N/A</td> </tr> <tr> <td>6</td> <td>8K2</td> <td>8K2</td> <td>N/A</td> </tr> </tbody> </table>  <p>Default Setting / *Only Event Groups 000 to 055 can be used. See PGM Table in the panel's Programming Guide.</p>	Input 1 / Input 2	Input 3 / Input 4	Input 5 / Input 6	Input 7 / Input 8	_/_/ (0/0)	_/_/ (0/0)	_/_/ (0/0)	_/_/ (0/0)	Option	EOL Value	Zone A Value	Zone B Value(ATZ)	0	1K	1K	2K2	1	2K2	1K5	N/A	2	3K3	3K3	N/A	3	4K7	4K7	N/A	4	4K7	6K8	N/A	5	2K2	4K7	N/A	6	8K2	8K2	N/A
Input 1 / Input 2	Input 3 / Input 4	Input 5 / Input 6	Input 7 / Input 8																																						
// (0/0)	_/_/ (0/0)	_/_/ (0/0)	_/_/ (0/0)																																						
Option	EOL Value	Zone A Value	Zone B Value(ATZ)																																						
0	1K	1K	2K2																																						
1	2K2	1K5	N/A																																						
2	3K3	3K3	N/A																																						
3	4K7	4K7	N/A																																						
4	4K7	6K8	N/A																																						
5	2K2	4K7	N/A																																						
6	8K2	8K2	N/A																																						
	<p>Programming Method</p> <p>1. [ENTER] + [INSTALLER CODE]</p> <p>2. Enter [SECTION] and turn desired option ON/OFF or enter the required data</p>																																								
[650]	<p>Tamper Recognition</p> <table> <tr> <td>[1] EOL Zones</td> <td>OFF = No EOL</td> <td>ON = With EOL</td> </tr> <tr> <td>[2] Tamper Recognition</td> <td>OFF = Disabled</td> <td>ON = Enabled (Z1)</td> </tr> <tr> <td>[3] PGM Follows Global PGM</td> <td>OFF = Disabled</td> <td>ON = Enabled</td> </tr> </table>	[1] EOL Zones	OFF = No EOL	ON = With EOL	[2] Tamper Recognition	OFF = Disabled	ON = Enabled (Z1)	[3] PGM Follows Global PGM	OFF = Disabled	ON = Enabled																															
[1] EOL Zones	OFF = No EOL	ON = With EOL																																							
[2] Tamper Recognition	OFF = Disabled	ON = Enabled (Z1)																																							
[3] PGM Follows Global PGM	OFF = Disabled	ON = Enabled																																							
[651]	<p>Zone Assignment</p> <p>Enable zone inputs. Options [1] to [8], represent inputs Z1 to Z8.</p>																																								
[655]	<p>PGM Timer</p> <p>_/_/_ 000 - 255 sec. 000 = Follow Deactivation Event.</p>																																								
[656]	<p>PGM Activation Event</p> <table> <tr> <td>_/_/_ Event Group</td> <td>[60] Tamper zone opened</td> </tr> <tr> <td>_/_/_ Sub-Group</td> <td>[61] Tamper zone closed</td> </tr> <tr> <td>_/_/_ Partition</td> <td>[1] to [8] Zone input Z1 to Z8</td> </tr> <tr> <td></td> <td>Not Used: Enter [00]</td> </tr> </table>	_/_/_ Event Group	[60] Tamper zone opened	_/_/_ Sub-Group	[61] Tamper zone closed	_/_/_ Partition	[1] to [8] Zone input Z1 to Z8		Not Used: Enter [00]																																
//_ Event Group	[60] Tamper zone opened																																								
//_ Sub-Group	[61] Tamper zone closed																																								
//_ Partition	[1] to [8] Zone input Z1 to Z8																																								
	Not Used: Enter [00]																																								
[657]	<p>PGM Deactivation Event</p> <table> <tr> <td>_/_/_ Event Group</td> <td>[60] Tamper zone opened</td> </tr> <tr> <td>_/_/_ Sub-Group</td> <td>[61] Tamper zone closed</td> </tr> <tr> <td>_/_/_ Partition</td> <td>[1] to [8] Zone input Z1 to Z8</td> </tr> <tr> <td></td> <td>Not Used: Enter [00]</td> </tr> </table>	_/_/_ Event Group	[60] Tamper zone opened	_/_/_ Sub-Group	[61] Tamper zone closed	_/_/_ Partition	[1] to [8] Zone input Z1 to Z8		Not Used: Enter [00]																																
//_ Event Group	[60] Tamper zone opened																																								
//_ Sub-Group	[61] Tamper zone closed																																								
//_ Partition	[1] to [8] Zone input Z1 to Z8																																								
	Not Used: Enter [00]																																								

Warranty

For complete warranty information on this product please refer to the Limited Warranty Statement found on the website www.paradox.com/terms. Your use of the Paradox product signifies your acceptance of all warranty terms and conditions. Magellan, Spectra SP, Digilock and Digilock EVO are trademarks or registered trademarks of Paradox Security Systems Ltd. or its affiliates in Canada, the United States and/or other countries. For the latest information on products approvals, such as UL, a not CE, please visit www.paradox.com. © 2014 Paradox Security Systems Ltd. All rights reserved. Specifications may change without prior notice. One or more of the following US patents may apply: 7046142, 6215399, 6111256, 6104319, 5920259, 5886632, 5721542, 5287111, 5119069, 5077549 and RE39406 and other pending patents may apply. Canadian and international patents may also apply.