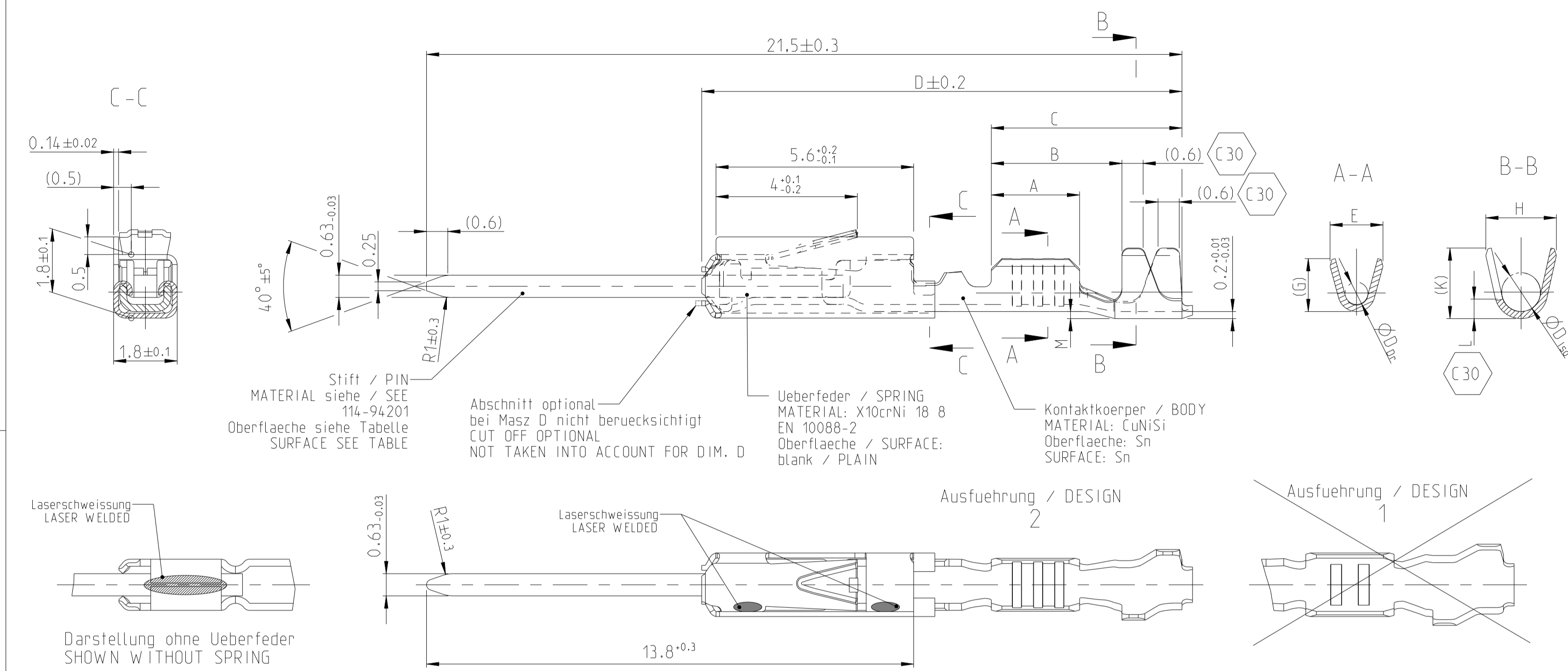
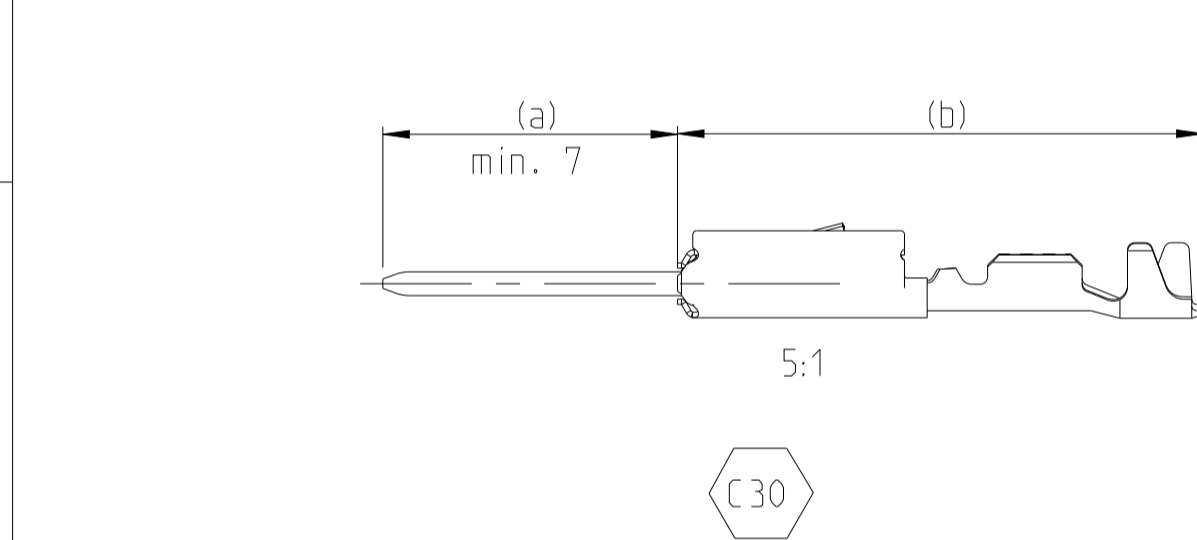


Normale Anwendung
 USUAL APPLICATION



Oberflaeche / FINISH

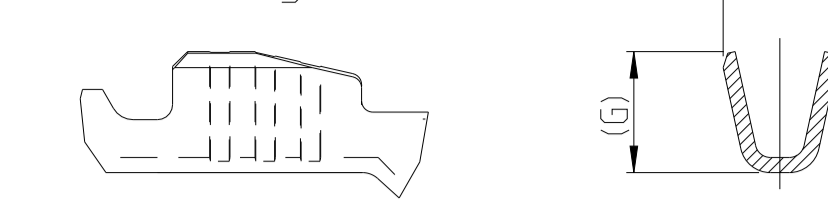


Sn: verzinnert
 TINNED
 (a) PIN: 0.8µm - 3.0µm Sn ueber/OVER 1.27µm - 3.0µm Ni
 (b) Kontaktkoerper/BODY: 0.8µm - 2.0µm Sn

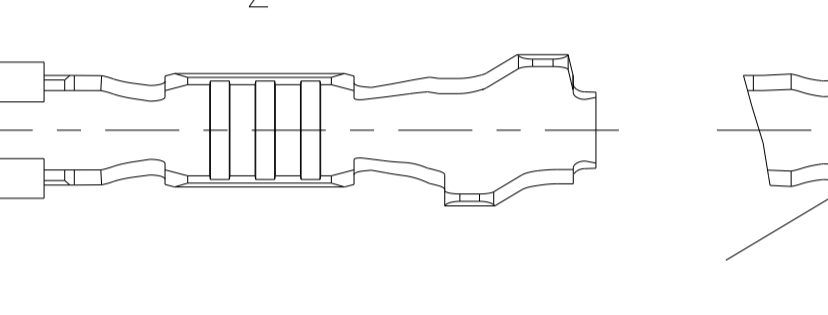
Ag: versilbert
 SILVER
 (a) PIN: 2.0µm - 6.0µm Ag
 (b) Kontaktkoerper/BODY: 0.8µm - 2.0µm Sn

Au: vergoldet
 GOLD
 (a) PIN: min. 0.8µm Au ueber/OVER 1.0µm - 2.2µm Ni
 (b) Kontaktkoerper/BODY: 0.8µm - 2.0µm Sn

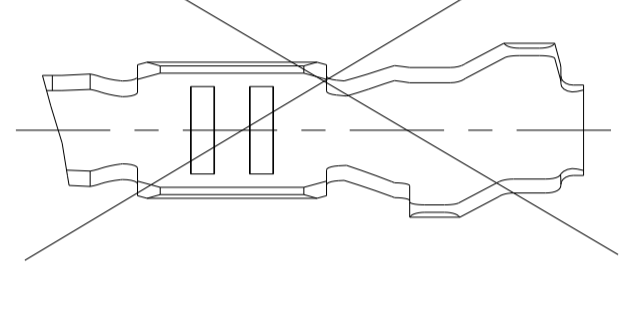
Ausfuehrung / DESIGN 3



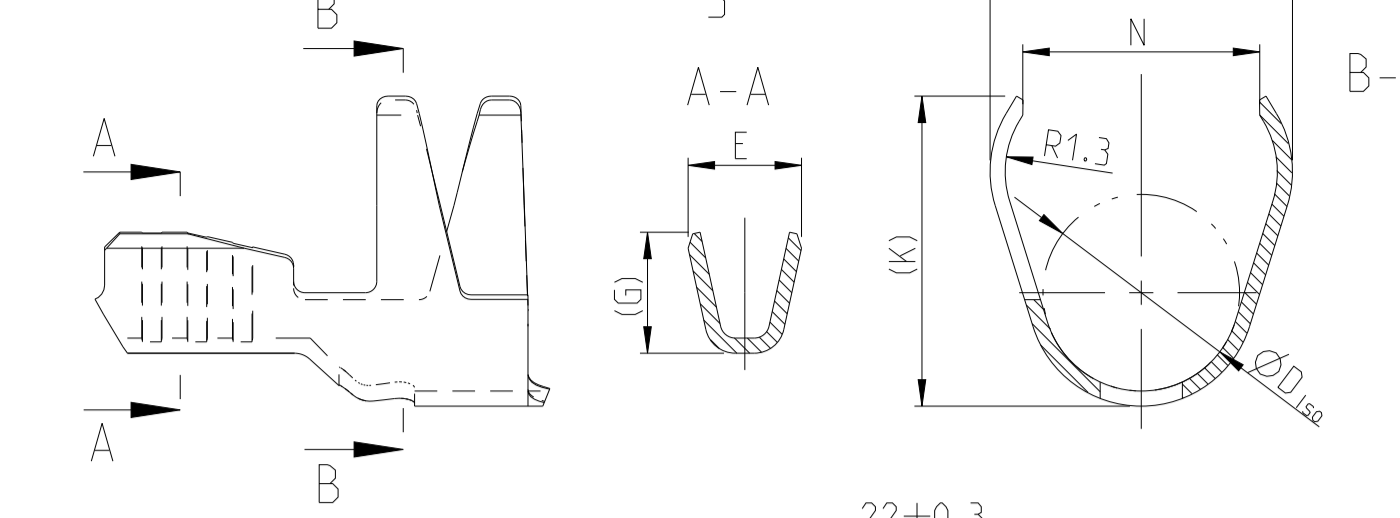
Ausfuehrung / DESIGN 2



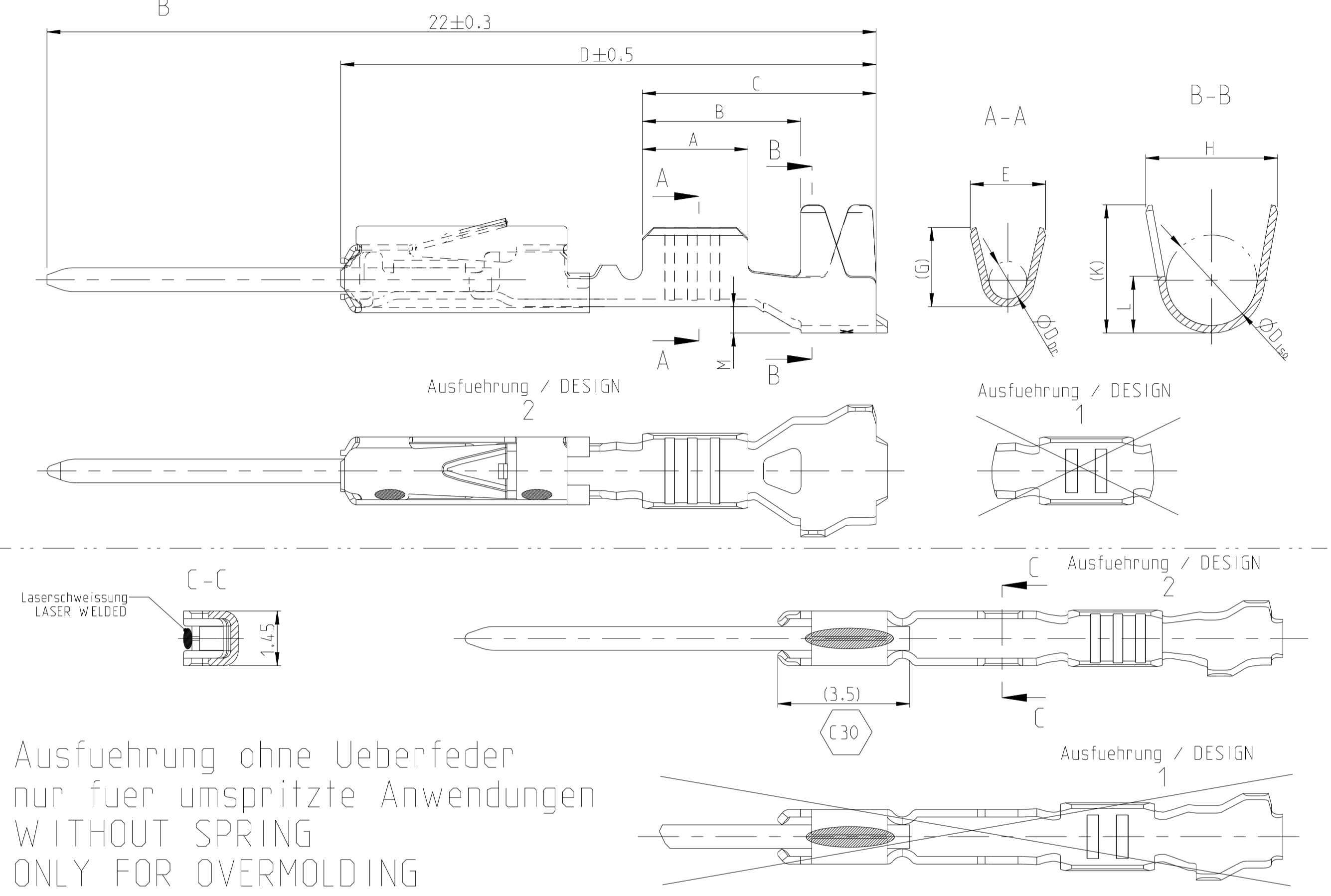
Ausfuehrung / DESIGN 1



Ausfuehrung / DESIGN 3



Einzelichtungssystem
 SINGLE WIRE SEAL SYSTEM



LOC	DIST	REV	DATE	BY	APPV
A1	-	C27	03MAY2019	FRAN	BERG
		C28	09DEC2019	MAH.	BERG
		C29	23JAN2020	MAH.	BERG
		C30	20AUG2021	FRAN	BERG

NOTES
 Bemerkungen

- Datumcode (Woche/Jahr z.B. KW 38/Jahr2009) und TE-Revision (z.B. Rev. A) DATE CODE (WEEK/YEAR E.G. WEEK NUMBER 38/YEAR2009) AND TE REVISION (E.G. REV. A)
- Passend zu Buchsenkontakt siehe Zeichnung 929454 SUITABLE FOR SOCKET CONTACT SEE DRAWING 929454
- Einzelheiten der Ausfuehrung bleiben dem Hersteller ueberlassen DETAILS OF DESIGN ARE LEFT TO MANUFACTURER
- Nur fuer FLR-Leitung nach DIN 72551 Teil 6 FOR FLR-CONDUCTOR ACCORDING TO DIN 72551-6 ONLY
- nicht fuer Neuanwendung NOT FOR NEW APPLICATION
- zugverstaerkte Leitung nach LV 112-4 REINFORCED WIRE ACCORDING LV 112-4
- Bei doppelt fallenden Werkzeugen wird die erste Ueberfeder mit einer Kennzeichnung "-" versehen WITH DOUBLE CUT DIES THE FIRST SPRING WILL BE PROVIDED WITH AN INDICATION "-"
- Varianten von Design1 werden durch die entsprechenden Versionen von Design2 ersetzt VARIANTS OF DESIGN1 ARE SUPERSEDED BY CORRESPONDING VERSIONS OF DESIGN2

Bestell-Nr. Ausfuehrung ORDER NO. DESIGN 2	Bestell-Nr. Ausfuehrung ORDER NO. DESIGN 3	Rev.	Bestell-Nr. Ausfuehrung ORDER NO. DESIGN 1	Rev.	Ueberfeder vorhanden SPRING AVAILABLE	VERSION	DGB Wire Size Range mm ²	Oberflaeche SURFACE	Laenge LENGTH mm	Drahtcrimp WIRE CRIMP mm	Iso-crimp INSU-CRIMP mm	Gewicht WEIGHT g	Verarbeitung Spez. APPLICATION SPEC.	DGB Wire Size Range mm ²	Isolations Ø INSULATION DIA. mm	fuer Kammer Ø3.45 FOR CAVITY DIA. 3.45 mm	Blindstopfen RUBBER PLUG	fuer Kammer Ø4 FOR CAVITY DIA. 4 mm	Blindstopfen RUBBER PLUG
5-965908-3		A			ja / YES	Einzelichtungssystem SINGLE WIRE SEAL SYSTEM	0.50-0.75	Ag	A = 2.8 B = 4.2 C = 6.2 D = 14.3 M = 0.7	E = 2 G = 2.1 Dr = 1	H = 3.5 K = 3.4 L = 1.5 D _{ISO} = 2.4	0.18	0.75	1.4-1.9	967067-1 gruen GREEN	967056-1 blau / BLUE	963142-1 schwarz BLACK	963143-1 weiss / WHITE	
5-965908-2		F		ja / YES															
5-965908-1		D		ja / YES															
					nein / NO	normale Anwendung USUAL APPLICATION	0.25-0.35	Sn	A = 2.5 B = 3.0 C = 5.9 D = 14 M = 0.7	E = 1.8 G = 1.8 Dr = 0.8	H = 3.5 K = 3.4 L = 1.5 D _{ISO} = 2.4	0.12	0.35	0.9-1.4	967067-2 gelb YELLOW	967056-1 blau / BLUE	963142-2 grau GREY	963143-1 weiss / WHITE	
5-962886-3		A		ja / YES															
5-962886-2		R		ja / YES															
5-962886-1		N		ja / YES	ja / YES	0.13/0.17	Ag	A = 2.5 B = 4 C = 5.9 D = 13.9 M = 0.6	E = 1.5 G = 1.4	H = 4 K = 3.9 N = 3.1 D _{ISO} = 2.6	0.15	0.13	0.85-1.25	967067-2 gelb YELLOW	967056-1 blau / BLUE	963142-2 grau GREY	963143-1 weiss / WHITE		
2141830-3		A		ja / YES															
2141830-2		A		ja / YES															
2141830-1		A		ja / YES	ja / YES	0.50-0.75	Au	A = 2.8 B = 3.8 C = 5.6 D = 13.65 M = 0.2	E = 2 G = 2.1 Dr = 1	H = 2.7 K = 2.9 L = 0.7 D _{ISO} = 1.6	0.12	0.50	1.4-1.9	967067-1 gruen GREEN	967056-1 blau / BLUE	963142-1 schwarz BLACK	963143-1 weiss / WHITE		
6-963716-1		A		nein / NO															
6-963716-2		A		nein / NO															
5-963716-3		A		ja / YES	ja / YES	0.25-0.35	Ag	A = 2.5 B = 3.6 C = 5.6 D = 13.65 M = 0.2	E = 1.8 G = 1.8 Dr = 0.8	H = 2.3 K = 2.3 L = 0.6 D _{ISO} = 1.4	0.16	0.2	0.9-1.4	967067-2 gelb YELLOW	967056-1 blau / BLUE	963142-2 grau GREY	963143-1 weiss / WHITE		
5-963716-2		Z		ja / YES															
5-963716-1		W		ja / YES															
6-928918-3		A		ja / YES	ja / YES	0.13/0.17	Au	A = 2.5 B = 3.7 C = 5.4 D = 13.65 M = 0	E = 1.5 G = 1.5 Dr = 0.65	H = 2 K = 1.9 D _{ISO} = 1.1	0.15	0.13	0.85-1.25	967067-2 gelb YELLOW	967056-1 blau / BLUE	963142-2 grau GREY	963143-1 weiss / WHITE		
6-928918-2		Z		ja / YES															
6-928918-1		W		ja / YES															
5-928918-2		A		nein / NO	nein / NO	0.08-0.22	Au	A = 2.5 B = 3.7 C = 5.4 D = 13.65 M = 0	E = 1.5 G = 1.5 Dr = 0.65	H = 2 K = 2 D _{ISO} = 1.1	0.15	0.08-0.22	0.85-1.25	967067-2 gelb YELLOW	967056-1 blau / BLUE	963142-2 grau GREY	963143-1 weiss / WHITE		
5-928918-1		W		nein / NO															
2141828-3		A		ja / YES															
2141828-2		A		ja / YES	ja / YES	0.08-0.22	Sn	A = 2.5 B = 3.7 C = 5.4 D = 13.65 M = 0	E = 1.5 G = 1.5 Dr = 0.65	H = 2 K = 2 D _{ISO} = 1.1	0.15	0.08-0.22	0.85-1.25	967067-2 gelb YELLOW	967056-1 blau / BLUE	963142-2 grau GREY	963143-1 weiss / WHITE		
2141828-1		A		ja / YES															
1355719-3		A		ja / YES															
1355719-2		C		ja / YES	ja / YES	0.08-0.22	Sn	A = 2.5 B = 3.7 C = 5.4 D = 13.65 M = 0	E = 1.5 G = 1.5 Dr = 0.65	H = 2 K = 2 D _{ISO} = 1.1	0.15	0.08-0.22	0.85-1.25	967067-2 gelb YELLOW	967056-1 blau / BLUE	963142-2 grau GREY	963143-1 weiss / WHITE		
1355719-1		C		ja / YES															

zugehoerige Einzelichtung / SUITABLE SINGLE WIRE SEAL

THIS DRAWING IS A CONTROLLED DOCUMENT. OWN S.Garcia 06JAN1999
 CHK R.Jetter 06JAN1999
 APV M.Bleicher 13AUG2003

TE Connectivity

MOS
 Tabellenzeichnung Stiftkontakt
 TABLE PIN CONTACT

108-18030
 APPLICATION SPEC

114-18021 / -18025

WEIGHT -

CUSTOMER DRAWING

SCALE 10:1 SHEET 1 OF 1 REV C30

Mouser Electronics

Authorized Distributor

Click to View Pricing, Inventory, Delivery & Lifecycle Information:

[TE Connectivity:](#)

[5-963716-1](#)