

Ordering Information

Part Number	RoHS	Package	Surface Mount	Tape & Reel	IEC/EN/DIN EN	Quantity
	Compliant				60747-5-5	
ACPL-34JT	-000E	SO-16	X		X	45 per tube
ACPL-34JT	-500E		X	X	X	850 per reel

To order, choose a part number from the part number column and combine with the desired option from the option column to form an order entry.

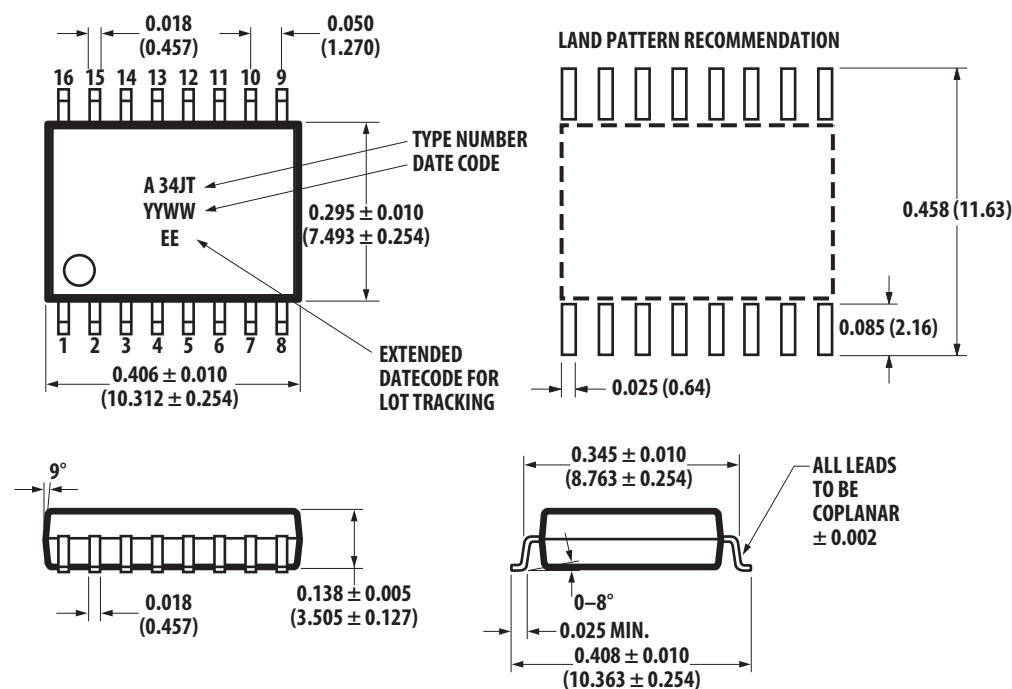
Example 1:

ACPL-34JT-500E to order product of SO-16 Surface Mount package in Tape and Reel packaging with IEC/EN/DIN EN 60747-5-5 Safety Approval in RoHS compliant.

Option datasheets are available. Contact your Avago sales representative or authorized distributor for information.

Package Outline Drawings

16-Lead Surface Mount



Dimensions in inches (millimeters)

Lead coplanarity = 0.1mm (0.004 inches)

Floating lead protrusion = 0.25mm (10mils) max.

Recommended Lead-free IR Profile

Recommended reflow condition as per JEDEC Standard, J-STD-020 (latest revision).

Non-halide flux should be used.

Product Overview Description

The ACPL-34JT (shown in Figure 1) is a highly integrated power control device that incorporates all the necessary components for a complete, isolated IGBT gate drive circuit. It features IGBT desaturation sensing with soft-shutdown protection and fault feedback, under voltage lockout and feedback and active Miller current clamping in a SO-16 package. Direct LED input allows flexible logic configuration and differential current mode driving with low input impedance, greatly increased its noise immunity.

Package Pin Out

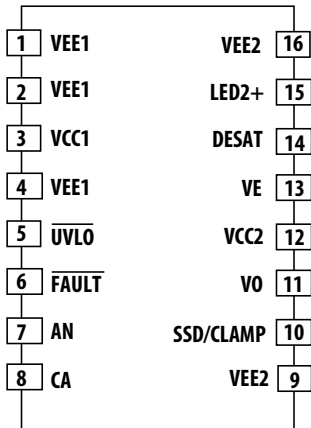


Figure 2. Pin out of ACPL-34JT

Pin Description

Pin Name	Function
VEE1	Input common
VEE1	Input common
VCC1	Input power supply
VEE1	Input common
UVLO	VCC2 under voltage lock out feedback
FAULT	Over current fault feedback
AN	Input LED anode
CA	Input LED cathode

Pin Name	Function
VEE2	Negative power supply
LED2+	No connection, for testing only
DESAT	Desat Over current sensing
VE	IGBT Emitter Reference
VCC2	Positive power supply
VO	Driver output to IGBT gate
SSD/CLAMP	Soft Shutdown / Miller current clamping output
VEE2	Negative Power Supply

Typical Application/Operation

Introduction to Fault Detection and Protection

The power stage of a typical three phase inverter is susceptible to several types of failures, most of which are potentially destructive to the power IGBTs. These failure modes can be grouped into four basic categories: phase and/or rail supply short circuits due to user misconnect or bad wiring, control signal failures due to noise or computational errors, overload conditions induced by the load, and component failures in the gate drive circuitry. Under any of these fault conditions, the current through the IGBTs can increase rapidly, causing excessive power dissipation and heating. The IGBTs become damaged when the current load approaches the saturation current of the device, and the collector to emitter voltage rises above the saturation voltage level. The drastically increased power dissipation very quickly overheats the power device and destroys it. To prevent damage to the drive, fault protection must be implemented to reduce or turn-off the overcurrent during a fault condition.

A circuit providing fast local fault detection and shutdown is an ideal solution, but the number of required components, board space consumed, cost, and complexity have until now limited its use to high performance drives. The features which this circuit must have are high speed, low cost, low resolution, low power dissipation, and small size.

The ACPL-34JT satisfies these criteria by combining a high speed, high output current driver, high voltage optical isolation between the input and output, local IGBT desaturation detection and shut down, and optically isolated fault and UVLO status feedback signal into a single 16-pin surface mount package.

The fault detection method, which is adopted in the ACPL-34JT, is to monitor the saturation (collector) voltage of the IGBT and to trigger a local fault shutdown sequence if the collector voltage exceeds a predetermined threshold. A small gate discharge device slowly reduces the high short circuit IGBT current to prevent damaging voltage spikes. Before the dissipated energy can reach destructive levels, the IGBT is shut off. During the off state of the IGBT, the fault detect circuitry is simply disabled to prevent false 'fault' signals.

The alternative protection scheme of measuring IGBT current to prevent desaturation is effective if the short circuit capability of the power device is known, but this method will fail if the gate drive voltage decreases enough to only partially turn on the IGBT. By directly measuring the collector voltage, the ACPL-34JT limits the power dissipation in the IGBT even with insufficient gate drive voltage. Another more subtle advantage of the desaturation detection method is that power dissipation in the IGBT is monitored, while the current sense method relies on a preset current threshold to predict the safe limit of operation. Therefore, an overly- conservative overcurrent threshold is not needed to protect the IGBT.

Recommended Application Circuit

The ACPL-34JT has non-inverting gate control inputs, and an open collector fault and UVLO outputs suitable for wired 'OR' applications.

The recommended application circuit shown in Figure 3 illustrates a typical gate drive implementation using the ACPL-34JT.

The two supply bypass capacitors (0.1 μ F) provide the large transient currents necessary during a switching transition. The desat diode and 220pF blanking capacitor are the necessary external components for the fault detection circuitry. The gate resistor (10 Ω) serves to limit gate charge current and indirectly control the IGBT collector voltage rise and fall times. The open collector fault and UVLO outputs have a passive 10k Ω pull-up resistor and a 330 pF filtering capacitor.

Description of UnderVoltage LockOut

Insufficient gate voltage to IGBT can increase turn on resistance of IGBT, resulting in large power loss and IGBT damage due to high heat dissipation. ACPL-34JT monitors the output power supply constantly. When output power supply is lower than undervoltage lockout (UVLO) threshold gate driver output will shut off to protect IGBT from low voltage bias. During power up, the UVLO feature forces the gate driver output to low to prevent unwanted turn-on at lower voltage.

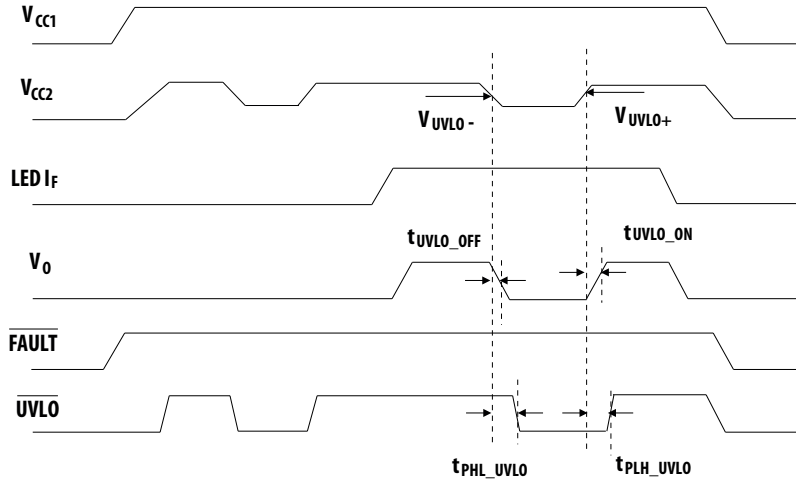


Figure 5. Circuit Behaviors at Power up and Power down

Description of Operation during Over Current Condition

1. DESAT terminal monitors IGBT's V_{CE} voltage.
2. When the voltage on the DESAT terminal exceeds 7 volts, the output voltage (V_{OUT}) to IGBT gate goes to Hi-Z state and the SSD/CLAMP output is slowly lowered.
3. FAULT output goes low, notifying the microcontroller of the fault condition.
4. Microcontroller takes appropriate action.
5. When $t_{DESAT(MUTE)}$ expires LED input need to be kept low for $t_{DESAT(RESET)}$ before fault condition is cleared. FAULT status will return to high and SSD/CLAMP output will return to Hi-Z state.
6. Output (V_{OUT}) starts to respond to LED input after fault condition is cleared.

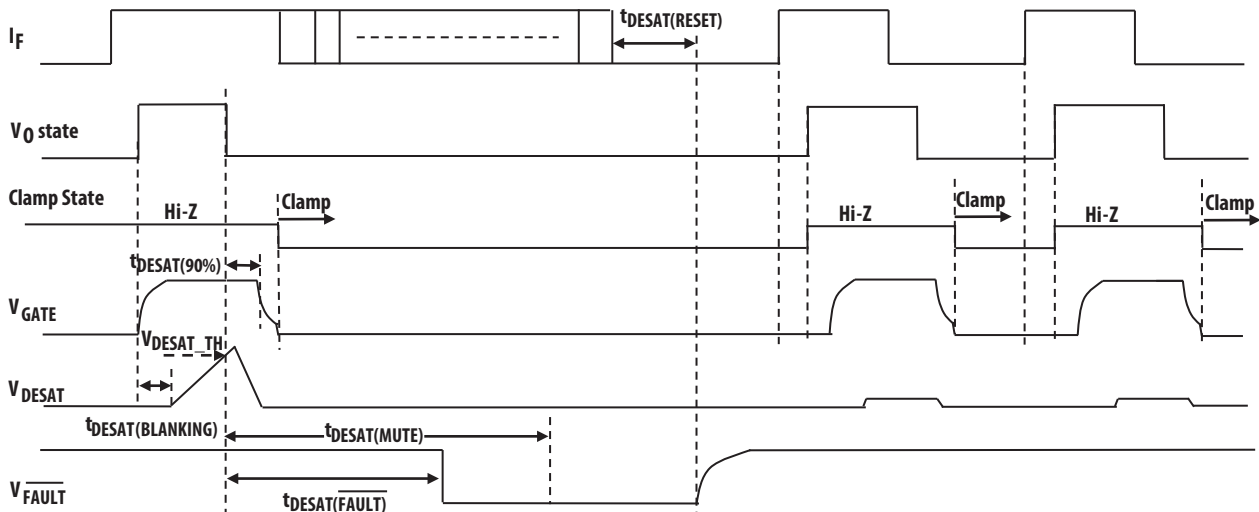


Figure 6. Circuit Behaviors During Overcurrent Event

The ACPL-34JT is approved by the following organizations:

UL

UL 1577, component recognition program up to $V_{ISO} = 5000 V_{RMS}$ expected prior to product release.

CSA

CSA Component Acceptance Notice #5, File CA 88324.

IEC/EN/DIN EN 60747-5-5

IEC 60747-5-5
EN 60747-5-5
DIN EN 60747-5-5

IEC/EN/DIN EN 60747-5-5 Insulation Characteristics

Description	Symbol	Characteristic	Unit
Insulation Classification per DIN VDE 0110/1.89, Table 1 for rated mains voltage $\leq 150V_{rms}$ for rated mains voltage $\leq 300V_{rms}$ for rated mains voltage $\leq 600V_{rms}$ for rated mains voltage $\leq 1000V_{rms}$		I – IV I – IV I – IV I – III	
Climatic Classification		40/125/21	
Pollution Degree (DIN VDE 0110/1.89)		2	
Maximum Working Insulation Voltage	V_{IORM}	1230	V_{PEAK}
Input to Output Test Voltage, Method b $V_{IORM} \times 1.875 = V_{PR}$, 100% Production Test with $t_m = 1\text{sec}$, Partial discharge $< 5\text{ pC}$	V_{PR}	2306	V_{PEAK}
Input to Output Test Voltage, Method a $V_{IORM} \times 1.6 = V_{PR}$, Type and Sample Test, $t_m = 10\text{ sec}$, Partial Discharge $< 5\text{ pC}$	V_{PR}	1968	V_{PEAK}
Highest Allowable Overvoltage (Transient Overvoltage $t_{ini} = 60\text{ sec}$)	V_{IOTM}	8000	V_{PEAK}
Safety-limiting values – maximum values allowed in the event of a failure (also see Figure 7)			
Case Temperature	T_S	175	$^{\circ}\text{C}$
Input Power	$P_{S,INPUT}$	400	mW
Output Power	$P_{S,OUTPUT}$	1200	mW
Insulation Resistance at $T_S, V_{IO} = 500V$	R_S	$> 10^9$	Ohm

Notes:

1. Isolation characteristics are guaranteed only within the safety maximum ratings which must be ensured by protective circuits in application. Surface mount classification is class A in accordance with CECC00802.
2. Refer to the optocoupler section of the Isolation and Control Components Designer's Catalog, under Product Safety Regulation section IEC/EN/DIN EN 60747-5-5, for a detailed description of Method a and Method b partial discharge test profiles.

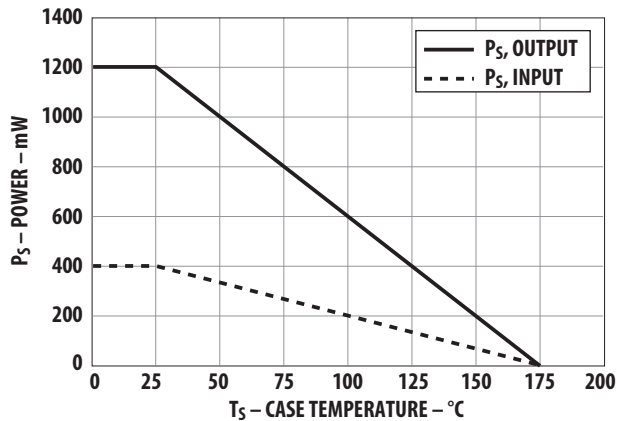


Figure 7. Dependence of safety limiting values on temperature.

Insulation and Safety Related Specifications

Parameter	Symbol	Value	Units	Conditions
Minimum External Air Gap (Clearance)	L(101)	8.3	mm	Measured from input terminals to output terminals, shortest distance through air.
Minimum External Tracking (Creepage)	L(102)	8.3	mm	Measured from input terminals to output terminals, shortest distance path along body.
Minimum Internal Plastic Gap (Internal Clearance)		0.5	mm	Through insulation distance conductor to conductor, usually the straight line distance thickness between the emitter and detector.
Tracking Resistance (Comparative Tracking Index)	CTI	>175	Volts	DIN IEC 112/VDE 0303 Part 1
Isolation Group		IIIa		Material Group (DIN VDE 0110)

Absolute Maximum Ratings

Parameter	Symbol	Min.	Max.	Units	Note
Storage Temperature	T_S	-55	150	°C	
Operating Temperature	T_A	-40	125	°C	
IC Junction Temperature	T_J		150	°C	1
Average Input Current	$I_{F(AVG)}$		20	mA	
Peak Transient Input Current (<1us pulse width, 300pps)	$I_{F(TRAN)}$		1	A	
Reverse Input Voltage	V_R		6	V	
Peak Output Current	$ I_{O(peak)} $		2.5	A	2
Fault Output Current (Sinking)	I_{FAULT}		10	mA	
Fault Pin Voltage	V_{FAULT}	-0.5	6	V	
UVLO Output Current (Sinking)	I_{UVLO}		10	mA	
UVLO Pin Voltage	V_{UVLO}	-0.5	6	V	
Positive Input Supply Voltage	V_{CC1}	-0.5	26	V	
Total Output Supply Voltage	$V_{CC2} - V_{EE2}$	-0.5	30	V	
Negative Output Supply Voltage	$V_E - V_{EE2}$	-0.5	15	V	3
Positive Output Supply Voltage	$V_{CC2} - V_E$	-0.5	30	V	
Gate Drive Output Voltage	$V_{O(peak)}$	-0.5	$V_{CC2} + 0.5$	V	
Peak Clamping Sinking Current	I_{CLAMP}		2	A	2
Miller Clamping Pin Voltage	$V_{CLAMP} - V_{EE2}$	-0.5	V_{CC2}	V	
DESAT Voltage	$V_{DESAT} - V_E$	$V_E - 0.5$	$V_{CC2} + 0.5$	V	4
Output IC Power Dissipation	P_O		580	mW	1
Input IC Power Dissipation	P_I		150	mW	

Recommended Operating Conditions

Parameter	Symbol	Min.	Max.	Units	Notes
Operating Temperature	T_A	-40	125	°C	
Input Supply Voltage	V_{CC1}	8	18	Volts	5
Total Output Supply Voltage	$V_{CC2} - V_{EE2}$	15	25	V	6
Negative Output Supply Voltage	$V_E - V_{EE2}$	0	10	V	3
Positive Output Supply Voltage	$V_{CC2} - V_E$	15	25	V	
Input LED Current	$I_{F(ON)}$	10	16	mA	
Input Voltage (OFF)	$V_{F(OFF)}$	-3.6	0.8	V	
Input pulse width	$t_{ON(LED)}$	500		ns	

Electrical Specifications

Unless otherwise specified, all Minimum/Maximum specifications are at recommended operating conditions, all voltages at input IC are referenced to V_{EE1} , all voltages at output IC referenced to V_{EE2} . All typical values at $T_A = 25\text{ }^\circ\text{C}$, $V_{CC1} = 12\text{ V}$, $V_{CC2} - V_{EE2} = 20\text{ V}$, $V_E - V_{EE2} = 0\text{ V}$.

Parameter	Symbol	Min.	Typ.	Max.	Units	Test Conditions	Fig	Note
Input Low Supply Current	I_{CC1L}		3.7	6.0	mA	$I_F = 0\text{ mA}$	8	
Input High Supply Current	I_{CC1H}		3.7	6.0	mA	$I_F = 10\text{ mA}$	8	
Output Low Supply Current	I_{CC2L}		10.5	13.2	mA	$I_F = 0\text{ mA}$	9	
Output High Supply Current	I_{CC2H}		10.6	13.6	mA	$I_F = 10\text{ mA}$	9	
LED Forward Voltage	V_F	1.25	1.55	1.85	V	$I_F = 10\text{ mA}$	10	
LED Reverse Breakdown Voltage	V_{BR}	6			V	$I_F = 10\text{ }\mu\text{A}$		
Input Capacitance	C_{IN}		90		pF			
LED Turn on Current Threshold Low to High	I_{TH+}		2.7	6.6	mA	$V_O = 5\text{ V}$		
LED Turn on Current Threshold High to Low	I_{TH-}		2.1	6.4	mA	$V_O = 5\text{ V}$		
LED Turn on Current Hysteresis	I_{TH_HYS}		0.6		mA			
High Level Output Current	I_{OH}	-0.75	-2.0		A	$V_{OUT} = V_{CC2} - 3\text{ V}$	11	2
Low Level Output Current	I_{OL}	1.0	2.2		A	$V_{OUT} = V_{EE2} + 2.5\text{ V}$	12	2
Low Level Soft Shutdown Current During Fault Condition	I_{SSD}	22	35	48	mA	$V_{SSD} - V_{EE2} = 14\text{ V}$	13	
High Level Output Voltage	V_{OH}	$V_{CC2} - 0.5$	$V_{CC2} - 0.2$		V	$I_{OUT} = -100\text{ mA}$	11,14	7, 8, 9
Low Level Output Voltage	V_{OL}		0.1	0.5	V	$I_{OUT} = 100\text{ mA}$	12,15	
Clamp Threshold Voltage	V_{TH_CLAMP}		2.0	3.0	V			
Clamp Low Level Sinking Current	I_{CLAMP}	0.75	1.9		A	$V_{CLAMP} = V_{EE2} + 2.5$		
VCC2 UVLO Threshold Low to High	V_{UVLO+}	11.0	12.4	13.7	V	$V_{OUT} > 5\text{ V}$		9, 10
VCC2 UVLO Threshold High to Low	V_{UVLO-}	10.1	11.3	12.8	V	$V_{OUT} < 5\text{ V}$		9, 11
VCC2 UVLO Hysteresis	V_{UVLO_HYS}		1.1		V			9
Desat Sensing Threshold	V_{DESAT}	6.2	7.0	7.8	V		16	9
Desat Charging Current	I_{CHG}	0.6	0.9	1.2	mA	$V_{OC} = 2\text{ V}$	17	
Desat Discharging Current	I_{DSCHG}	20	53		mA	$V_{OC} = 7\text{ V}$	18	
FAULT Logic Low Output Current	I_{FAULT_L}	4.0	9.0		mA	$V_{FAULT} = 0.4\text{ V}$		
FAULT Logic High Output Current	I_{FAULT_H}			20	μA	$V_{FAULT} = 5\text{ V}$		
UVLO Logic Low Output Current	I_{UVLO_L}	4.0	9.0		mA	$V_{UVLO} = 0.4\text{ V}$		
UVLO Logic High Output Current	I_{UVLO_H}			20	μA	$V_{UVLO} = 5\text{ V}$		

Switching Specifications

Unless otherwise specified, all Minimum/Maximum specifications are at recommended operating conditions, all voltages at input IC are referenced to V_{EE1} , all voltages at output IC referenced to V_{EE2} . All typical values at $T_A = 25^\circ\text{C}$, $V_{CC1} = 12\text{ V}$, $V_{CC2} - V_{EE2} = 20\text{ V}$, $V_E - V_{EE2} = 0\text{ V}$.

Parameter	Symbol	Min	Typ	Max	Units	Test Conditions	Fig	Note
VIN to High Level Output Propagation Delay Time	t_{PLH}	50	130	250	ns	$R_g = 10\ \Omega$ $C_g = 10\ \text{nF}$	19-21	12
VIN to Low Level Output Propagation Delay Time	t_{PHL}	50	150	280	ns	$f = 10\ \text{kHz}$ Duty Cycle = 50%	19-21	13
Pulse Width Distortion	PWD		20	100	ns			14, 15
Propagation Delay Difference Between Any 2 Parts ($t_{PHL} - t_{PLH}$)	PDD		20	150	ns			15, 16
10% to 90% Rise Time	t_R		60		ns			
90% to 10% Fall Time	t_F		50		ns			
Desat Blanking Time	$t_{DESAT(BLANKING)}$		0.6	1.0	μs	$R_g = 10\ \text{Ohm}$, $C_g = 0 - 1\ \text{nF}$		17
Desat Sense to 90% VOUT Delay	$t_{DESAT(90\%)}$		1.0		μs			18
Desat Sense to 10% VOUT Delay	$t_{DESAT(10\%)}$		2.0		μs			19
Desat to Desat Low Propagation Delay	$t_{DESAT(LOW)}$		0.3		μs			20
Desat to Low Level FAULT Signal Delay	$t_{DESAT(FAULT)}$			5	μs			21
Output Mute Time due to Desat	$t_{DESAT(MUTE)}$	2.3	3.2		ms			22
Time Input Kept Low Before Fault Reset to High	$t_{DESAT(RESET)}$	2.3	3.2		ms			23
VCC2 to UVLO High Delay	t_{PLH_UVLO}		10		μs			24
VCC2 to UVLO Low Delay	t_{PHL_UVLO}		10		μs			25
VCC2 UVLO to VOUT High Delay	t_{UVLO_ON}		10		μs			26
VCC2 UVLO to VOUT Low Delay	t_{UVLO_OFF}		10		μs			27
Output High Level Common Mode Transient Immunity	$ CM_H $	30	>50		kV/ μs	$T_A = 25^\circ\text{C}$, $I_F = 10\ \text{mA}$, $V_{CM} = 1500\ \text{V}$, $V_{CC1} = 12\ \text{V}$	22, 24, 26	28
Output Low Level Common Mode Transient Immunity	$ CM_L $	30	>50		kV/ μs	$T_A = 25^\circ\text{C}$, $I_F = 0\ \text{mA}$, $V_{CM} = 1500\ \text{V}$, $V_{CC1} = 12\ \text{V}$	23, 25, 27	29

Package Characteristics

Parameter	Symbol	Min.	Typ.	Max.	Units	Test Conditions	Note
Input-Output Momentary Withstand Voltage	V_{ISO}	5000			VRMS	$RH < 50\%$, $t = 1\ \text{min}$. $T_A = 25^\circ\text{C}$	30, 31, 32
Resistance (Input-Output)	R_{I-O}		1014		Ω	$V_{I-O} = 500\ \text{Vdc}$	32
Capacitance (Input-Output)	C_{I-O}		1.3		pF	$f = 1\ \text{MHz}$	
Thermal coefficient between LED and input IC	A_{EI}		35.4		$^\circ\text{C/W}$		
LED and output IC	A_{EO}		33.1		$^\circ\text{C/W}$		
input IC and output IC	A_{IO}		25.6		$^\circ\text{C/W}$		
LED and Ambient	A_{EA}		176.1		$^\circ\text{C/W}$		
input IC and Ambient	A_{IA}		92		$^\circ\text{C/W}$		
output IC and Ambient	A_{OA}		76.7		$^\circ\text{C/W}$		

Notes on Thermal Calculation

Application and environmental design for ACPL-34JT needs to ensure that the junction temperature of the internal ICs and LED within the gate driver optocoupler do not exceed 150°C. The equations provided below are for the purposes of calculating the maximum power dissipation and corresponding effect on junction temperatures.

$$\begin{aligned}\text{LED Junction Temperature} &= A_{EA} * P_E + A_{EI} * P_I + A_{EO} * P_O + T_A \\ \text{Input IC Junction Temperature} &= A_{EI} * P_E + A_{IA} * P_I + A_{IO} * P_O + T_A \\ \text{Output IC Junction Temperature} &= A_{EO} * P_E + A_{IO} * P_I + A_{OA} * P_O + T_A\end{aligned}$$

P_E - LED Power Dissipation

P_I - Input IC Power Dissipation

P_O - Output IC Power Dissipation

Calculation of LED Power Dissipation

LED Power Dissipation, $P_E = I_{F(LED)}$ (Recommended Max) * $V_{F(LED)}$ (125°C) * Duty Cycle

Example: $P_E = 16\text{mA} * 1.25 * 50\%$ duty cycle = 10mW

Calculation of Input IC Power Dissipation

Input IC Power Dissipation, $P_I = I_{CC1}$ (Max) * V_{CC1} (Recommended Max)

Example: $P_I = 6\text{mA} * 18\text{V} = 108\text{mW}$

Calculation of Output IC Power Dissipation

Output IC Power Dissipation, $P_O = V_{CC2}$ (Recommended Max) * I_{CC2} (Max) + $P_{HS} + P_{LS}$

P_{HS} - High Side Switching Power Dissipation

P_{LS} - Low Side Switching Power Dissipation

$$P_{HS} = (V_{CC2} * Q_G * f_{PWM}) * R_{OH(MAX)} / (R_{OH(MAX)} + R_{GH}) / 2$$

$$P_{LS} = (V_{CC2} * Q_G * f_{PWM}) * R_{OL(MAX)} / (R_{OL(MAX)} + R_{GL}) / 2$$

Q_G - IGBT Gate Charge at Supply Voltage

f_{PWM} - LED Switching Frequency

$R_{OH(MAX)}$ - Maximum High Side Output Impedance - $V_{OH(MIN)} / I_{OH(MIN)}$

R_{GH} - Gate Charging Resistance

$R_{OL(MAX)}$ - Maximum Low Side Output Impedance - $V_{OL(MIN)} / I_{OL(MIN)}$

R_{GL} - Gate Discharging Resistance

Example:

$$R_{OH(MAX)} = V_{OH(MIN)} / I_{OH(MIN)} = 2.5\text{V} / 0.75\text{A} = 3.33\Omega$$

$$R_{OL(MAX)} = V_{OL(MIN)} / I_{OL(MIN)} = 2.5\text{V} / 1\text{A} = 2.5\Omega$$

$$P_{HS} = (20\text{V} * 1\mu\text{C} * 10\text{kHz}) * 3.33\Omega / (3.33\Omega + 10\Omega) / 2 = 24.98\text{mW}$$

$$P_{LS} = (20\text{V} * 1\mu\text{C} * 10\text{kHz}) * 2.5\Omega / (2.5\Omega + 10\Omega) / 2 = 20\text{mW}$$

$$P_O = 20\text{V} * 13.6\text{mA} + 24.98\text{mW} + 20\text{mW} = 316.98\text{mW}$$

Calculation of Junction Temperature

$$\begin{aligned}\text{LED Junction Temperature} &= 176.1^\circ\text{C/W} * 10\text{mW} + 35.4^\circ\text{C/W} * 108\text{mW} + 33.1 * 316.98\text{mW} + T_A \\ &= 16.1^\circ\text{C} + T_A\end{aligned}$$

$$\begin{aligned}\text{Input IC Junction Temperature} &= 35.4^\circ\text{C/W} * 10\text{mW} + 92^\circ\text{C/W} * 108\text{mW} + 25.6 * 316.98\text{mW} + T_A \\ &= 18.4^\circ\text{C} + T_A\end{aligned}$$

$$\begin{aligned}\text{Output IC Junction Temperature} &= 33.1^\circ\text{C/W} * 10\text{mW} + 25.6^\circ\text{C/W} * 108\text{mW} + 76.7 * 316.98\text{mW} + T_A \\ &= 27.4^\circ\text{C} + T_A\end{aligned}$$

Notes:

1. Output IC power dissipation is derated linearly above 100°C from 580mW to 260mW at 125°C.
2. Maximum pulse width = 1 μ s, maximum duty cycle = 1%.
3. This supply is optional. Required only when negative gate drive is implemented.
4. Maximum 500ns pulse width if peak $V_{DESAT} > 10V$
5. In most applications V_{CC1} will be powered up first (before V_{CC2}) and powered down last (after V_{CC2}). This is desirable for maintaining control of the IGBT gate. In applications where V_{CC2} is powered up first, it is important to ensure that input remains low until V_{CC1} reaches the proper operating voltage to avoid any momentary instability at the output during V_{CC1} ramp-up or ramp-down.
6. 15 V is the recommended minimum operating positive supply voltage ($V_{CC2} - V_E$) to ensure adequate margin in excess of the maximum V_{UVLO+} threshold of 13.5 V.
7. For High Level Output Voltage testing, V_{OH} is measured with a dc load current. When driving capacitive loads, V_{OH} will approach V_{CC} as I_{OH} approaches zero.
8. Maximum pulse width = 1.0 ms, maximum duty cycle = 20%.
9. Once V_{OUT} of the ACPL-34JT is allowed to go high ($V_{CC2} - V_E > V_{UVLO}$), the DESAT detection feature of the ACPL-34JT will be the primary source of IGBT protection. UVLO is needed to ensure DESAT is functional. Once V_{CC2} exceeds V_{UVLO+} threshold, DESAT will remain functional until V_{CC2} is below V_{UVLO-} threshold. Thus, the DESAT detection and UVLO features of the ACPL-34JT work in conjunction to ensure constant IGBT protection.
10. This is the "increasing" (i.e. turn-on or "positive going" direction) of $V_{CC2} - V_E$.
11. This is the "decreasing" (i.e. turn-off or "negative going" direction) of $V_{CC2} - V_E$.
12. t_{PLH} is defined as propagation delay from 50% of LED input I_F to 50% of High level output.
13. t_{PHL} is defined as propagation delay from 50% of LED input I_F to 50% of Low level output.
14. Pulse Width Distortion (PWD) is defined as $|t_{PHL} - t_{PLH}|$ of any given unit.
15. As measured from I_F to V_O .
16. The difference between t_{PHL} and t_{PLH} between any two ACPL-34JT parts under the same test conditions.
17. The delay time for ACPL-34JT to respond to a DESAT fault condition without any external DESAT capacitor.
18. The amount of time from when DESAT threshold is exceeded to 90% of V_{GATE} at mentioned test conditions.
19. The amount of time from when DESAT threshold is exceeded to 10% of V_{GATE} at mentioned test conditions.
20. The amount of time from when DESAT threshold is exceeded to DESAT Low voltage, 0.7 V.
21. The amount of time from when DESAT threshold is exceeded to FAULT output Low – 50% of V_{CC1} voltage.
22. The amount of time when DESAT threshold is exceeded, Output is mute to LED input.
23. The amount of time when DESAT Mute time is expired, LED input must be kept Low for Fault status to return to High.
24. The delay time when V_{CC2} exceeds $UVLO+$ threshold to $UVLO$ High – 50% of $UVLO$ positive going edge.
25. The delay time when V_{CC2} falls below $UVLO-$ threshold to $UVLO$ Low – 50% of $UVLO$ negative going edge.
26. The delay time when V_{CC2} exceeds $UVLO+$ threshold to 50% of High level output.
27. The delay time when V_{CC2} falls below $UVLO-$ threshold to 50% of Low level output.
28. Common mode transient immunity in the high state is the maximum tolerable dV_{CM}/dt of the common mode pulse, V_{CM} , to assure that the output will remain in the high state (i.e., $V_O > 15V$ or $FAULT > 2V$ or $UVLO > 2V$). A 330 pF and a 10 k Ω pull-up resistor is needed in fault and $UVLO$ detection mode.
29. Common mode transient immunity in the low state is the maximum tolerable dV_{CM}/dt of the common mode pulse, V_{CM} , to assure that the output will remain in a low state (i.e., $V_O < 1.0V$ or $FAULT < 0.8V$ or $UVLO < 0.8V$). A 330 pF and a 10 k Ω pull-up resistor is needed in fault and $UVLO$ detection mode.
30. In accordance with UL1577, each optocoupler is proof tested by applying an insulation test voltage $\geq 6000 V_{RMS}$ for 1 second.
31. The Input-Output Momentary Withstand Voltage is a dielectric voltage rating that should not be interpreted as an input-output continuous voltage rating. For the continuous voltage rating refer to your equipment level safety specification or IEC/EN/DIN EN 60747-5-5 Insulation Characteristics Table
32. Device considered a two terminal device: pins 1 - 8 shorted together and pins 9 - 16 shorted together.

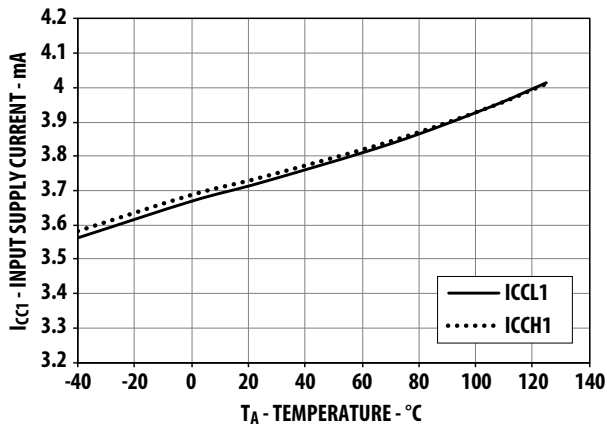


Figure 8. I_{CC1} across temperature

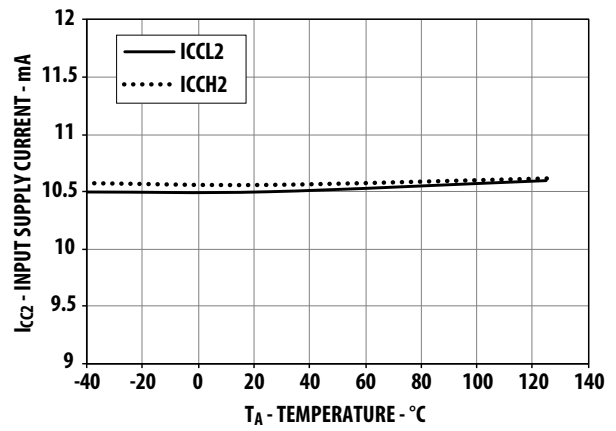


Figure 9. I_{CC2} across temperature

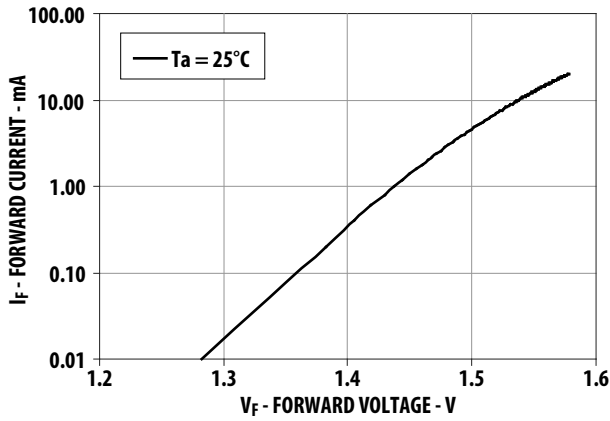


Figure 10. Typical Diode Input Forward Current Characteristic

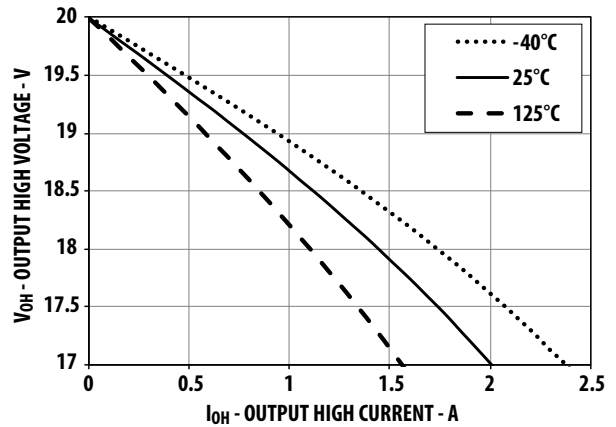


Figure 11. V_{OH} vs I_{OH}

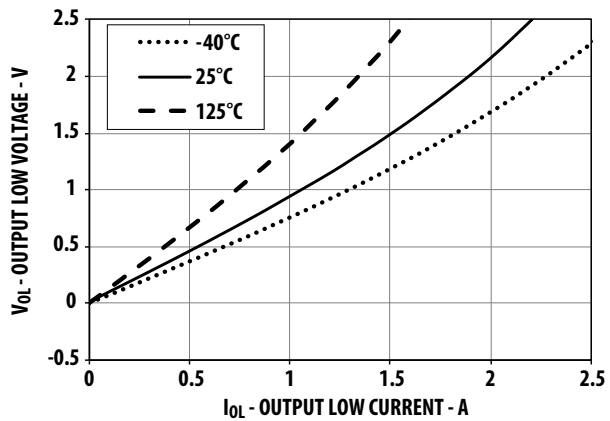


Figure 12. V_{OL} vs I_{OL}

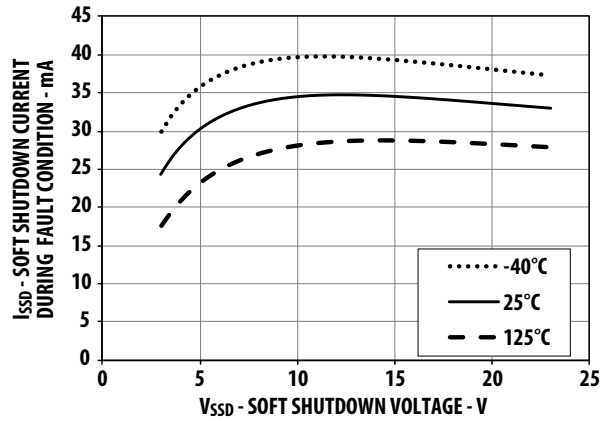


Figure 13. I_{SSD} vs V_{SSD}

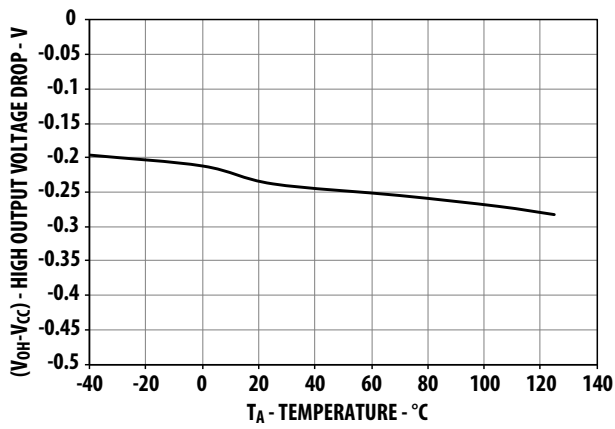


Figure 14. V_{OH} across temperature

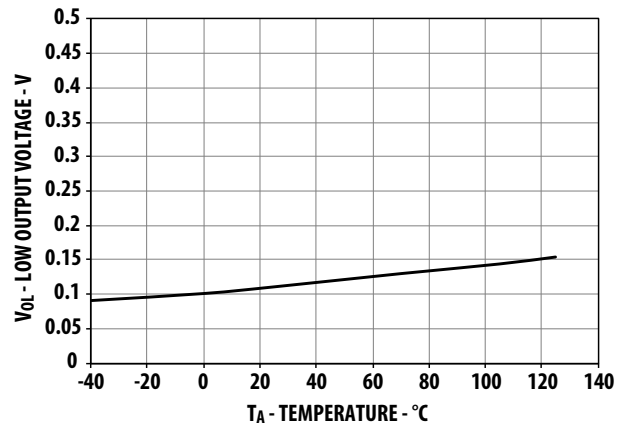


Figure 15. V_{OL} across temperature

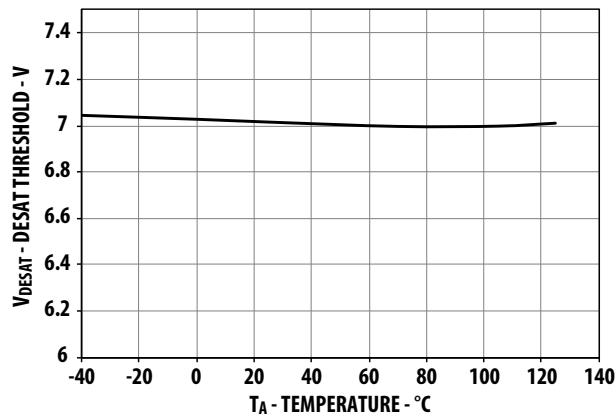


Figure 16. V_{DESAT} Threshold across temperature

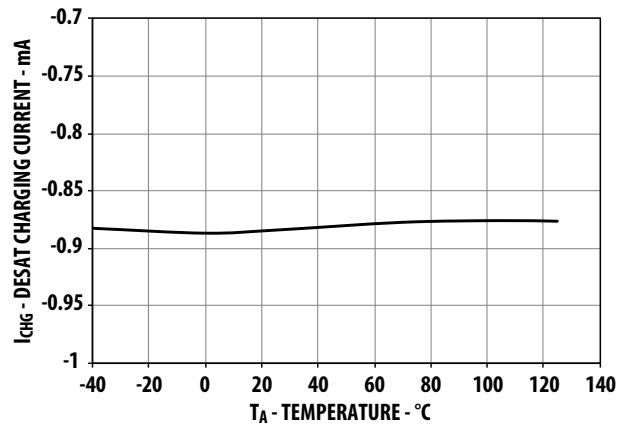


Figure 17. I_{CHG} across temperature

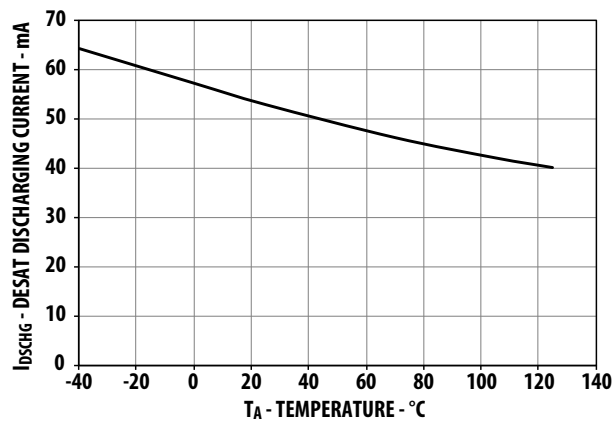


Figure 18. I_{DSCHG} across temperature

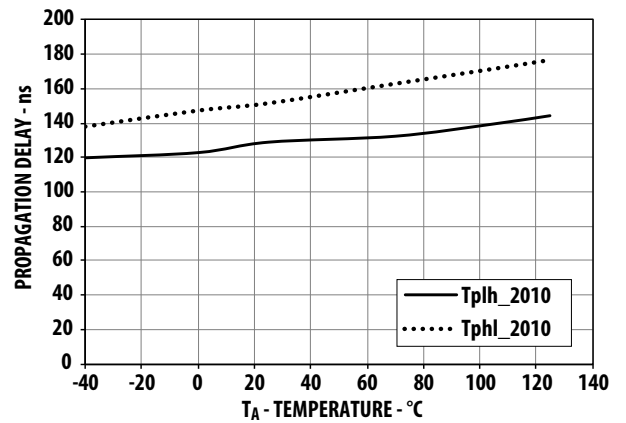


Figure 19. t_p across temperature

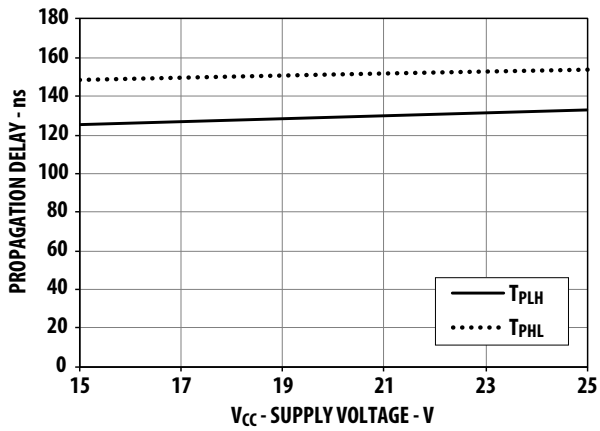


Figure 20. t_p vs Supply Voltage

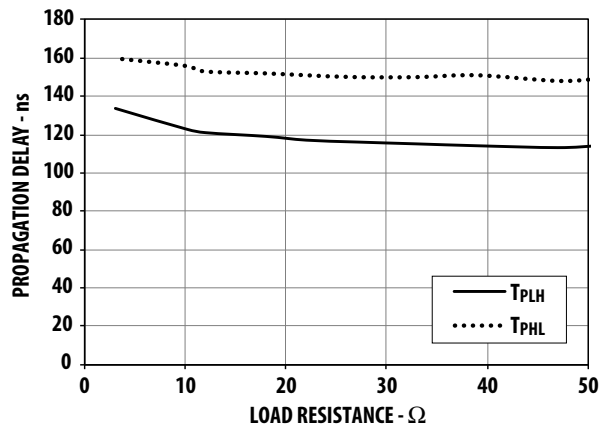


Figure 21. t_p vs Load Resistance

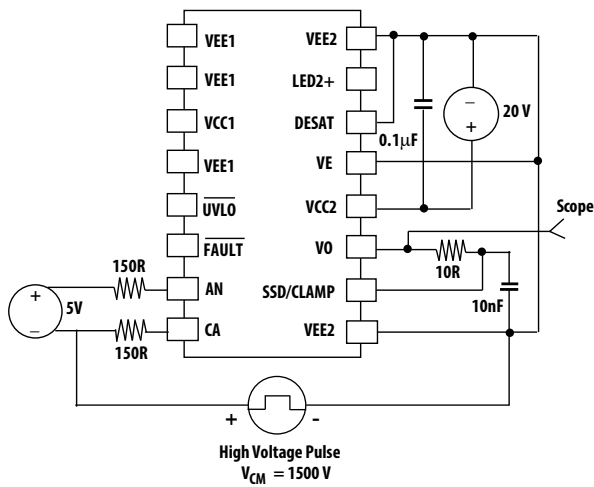


Figure 22. CMR Vo High Test Circuit

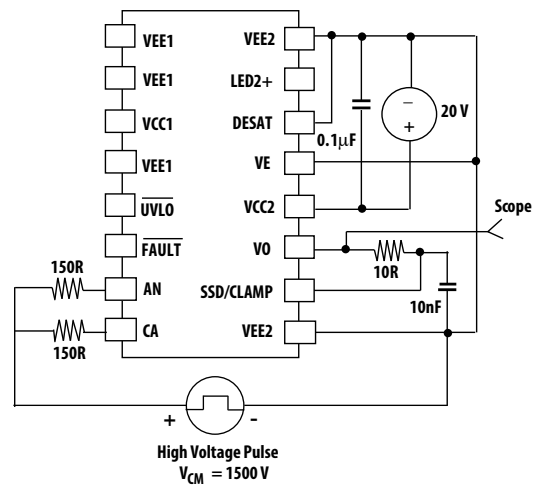


Figure 23. CMR Vo Low Test Circuit

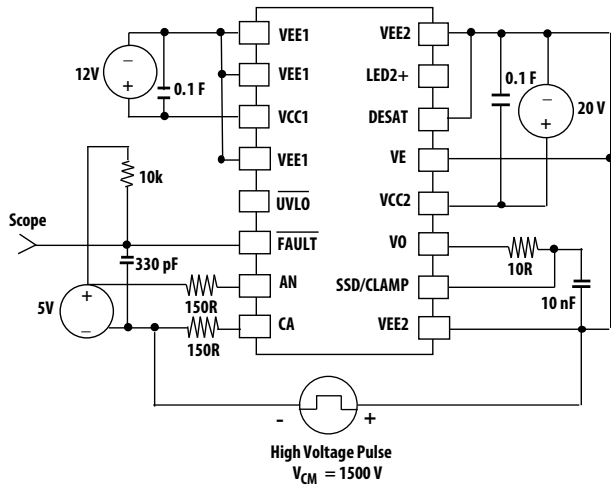


Figure 24. CMR Fault High Test Circuit

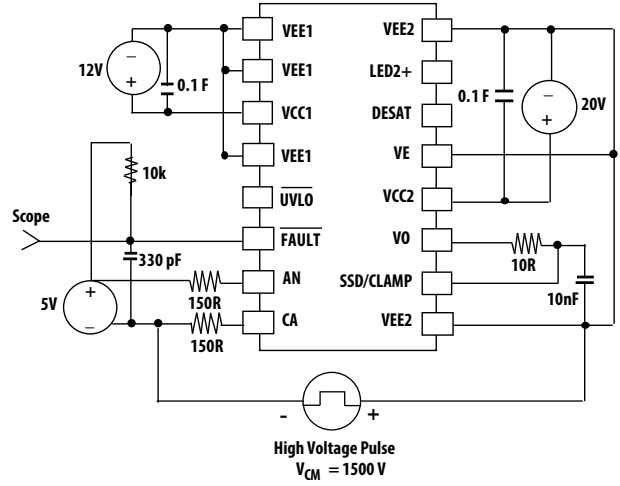


Figure 25. CMR Fault Low Test Circuit

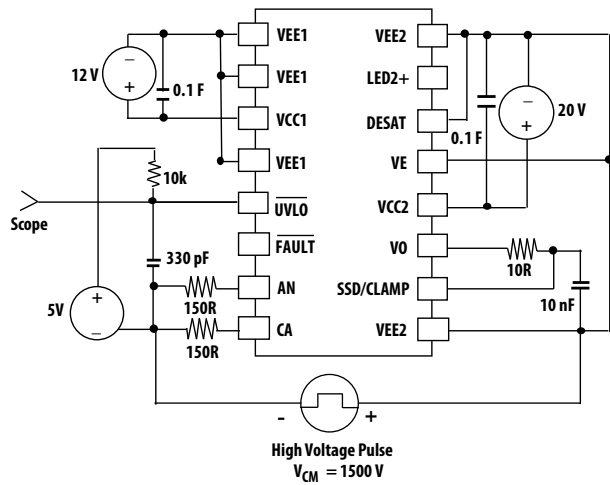


Figure 26. CMR UVLO High Test Circuit

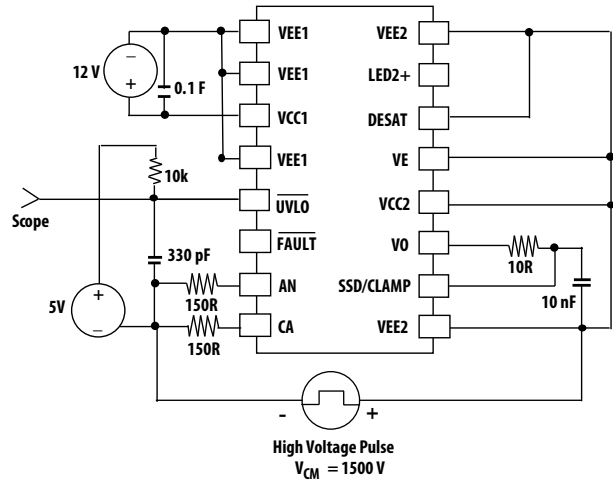


Figure 27. CMR UVLO Low Test Circuit

For product information and a complete list of distributors, please go to our web site: www.avagotech.com

Avago, Avago Technologies, and the A logo are trademarks of Avago Technologies in the United States and other countries. Data subject to change. Copyright © 2005-2013 Avago Technologies. All rights reserved. AV02-3831EN - November 18, 2013



Mouser Electronics

Authorized Distributor

Click to View Pricing, Inventory, Delivery & Lifecycle Information:

[Broadcom Limited:](#)

[ACPL-34JT-000E](#) [ACPL-34JT-500E](#)