

Max. 38 m<sup>3</sup>/h

# DC axial fans

□ 40 x 28 mm



- **Material:** Housing: GRP<sup>1)</sup> (PBT)  
Impeller: GRP<sup>1)</sup> (PA)
  - **Direction of air flow:** Exhaust over struts
  - **Direction of rotation:** Counterclockwise, looking towards rotor
  - **Connection:** Via single wires AWG 28, UL 1061
  - **Weight:** 45 g
- **Possible special versions:** (See chapter DC fans - specials)
    - Speed signal
    - Go / NoGo alarm
    - External temperature sensor
    - PWM control input
    - Moisture protection
    - Salt spray protection

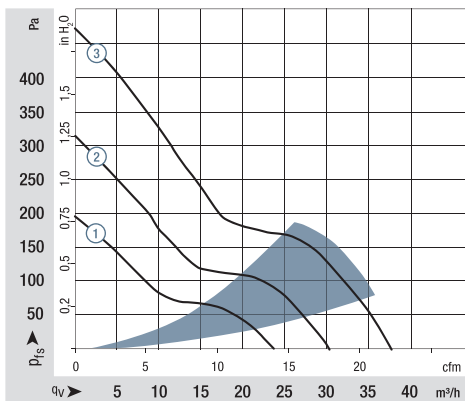
1) Fiberglass-reinforced plastic

Series 420 J

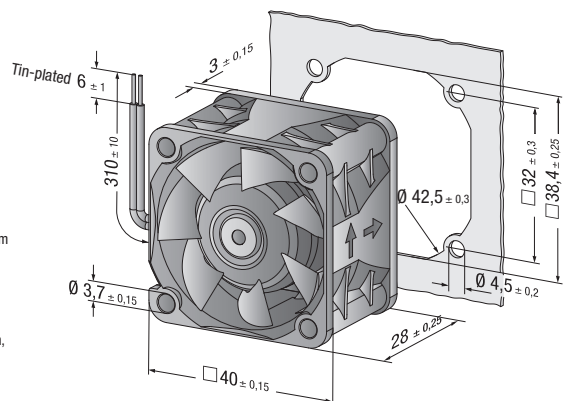
Nominal data

| Type   | Air flow          |      | Nominal voltage | Voltage range |     | Sound pressure level | Sound power level | Sintec sleeve bearings<br>Ball bearings | Power consumption | Nominal speed | Temperature range | Service life L <sub>10</sub> (40 °C)<br>ebm-papst standard | Service life L <sub>10</sub> (T <sub>max</sub> )<br>ebm-papst standard | Life expectancy L <sub>10</sub> IPC<br>(40 °C) see page 17 | Curve |
|--------|-------------------|------|-----------------|---------------|-----|----------------------|-------------------|---|-------------------|---------------|-------------------|--|--|--|-------|
|        | m <sup>3</sup> /h | cfm  |                 | VDC           | VDC |                      |                   |   |                   |               |                   |  |  |  |       |
| 422 JM | 24                | 14.2 | 12              | 8...13.8      | 42  | 5.5                  | ■                 | 2.4                                     | 11 400            | -20...+70     | 75 000 / 37 500   | 127 500  | ①  |  |       |
| 422 JN | 31                | 18.3 | 12              | 8...13.8      | 48  | 6.0                  | ■                 | 4.1                                     | 14 250            | -20...+70     | 67 500 / 35 000   | 115 000  | ②  |  |       |
| 422 JH | 38                | 22.4 | 12              | 8...13.8      | 54  | 6.6                  | ■                 | 6.9                                     | 17 250            | -20...+70     | 60 000 / 30 000   | 102 500  | ③  |  |       |
| 424 JM | 24                | 14.2 | 24              | 16...28       | 42  | 5.5                  | ■                 | 2.7                                     | 11 400            | -20...+70     | 75 000 / 37 500   | 127 500  | ①  |  |       |
| 424 JN | 31                | 18.3 | 24              | 16...28       | 48  | 6.0                  | ■                 | 4.3                                     | 14 250            | -20...+70     | 67 500 / 35 000   | 115 000  | ②  |  |       |
| 424 JH | 38                | 22.4 | 24              | 16...26.4     | 54  | 6.6                  | ■                 | 6.9                                     | 17 250            | -20...+65     | 60 000 / 32 500   | 102 500  | ③  |  |       |

Subject to change



Air performance measured according to: ISO 5801.  
Installation category A, without contact protection.  
Noise: Total sound power level L<sub>WA</sub> ISO 103002 measured on a hemisphere with a radius of 2 m.  
Sound pressure level L<sub>pA</sub> measured at 1 m distance from fan axis.  
The values given are applicable only under the specified measuring conditions and may differ depending on the installation conditions.  
In the event of deviation from the standard configuration, the parameters must be checked after installation!  
For detailed information see <http://www.ebmpapst.com/general conditions>



# Mouser Electronics

Authorized Distributor

Click to View Pricing, Inventory, Delivery & Lifecycle Information:

[ebm-papst:](#)

[422JH](#) [424JM](#) [424JH](#) [422JM](#) [422JN](#) [424JN](#)