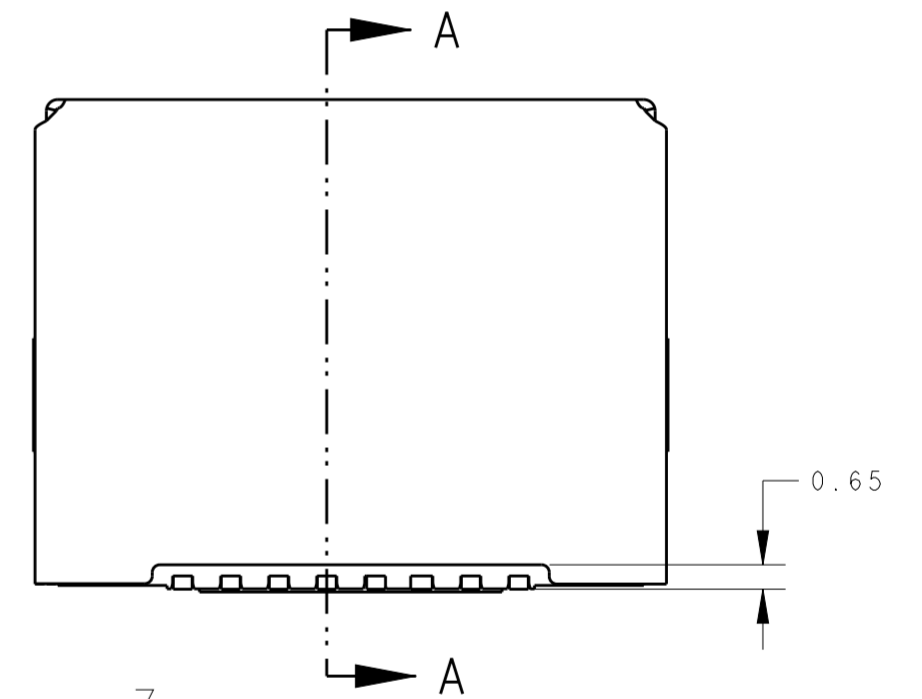
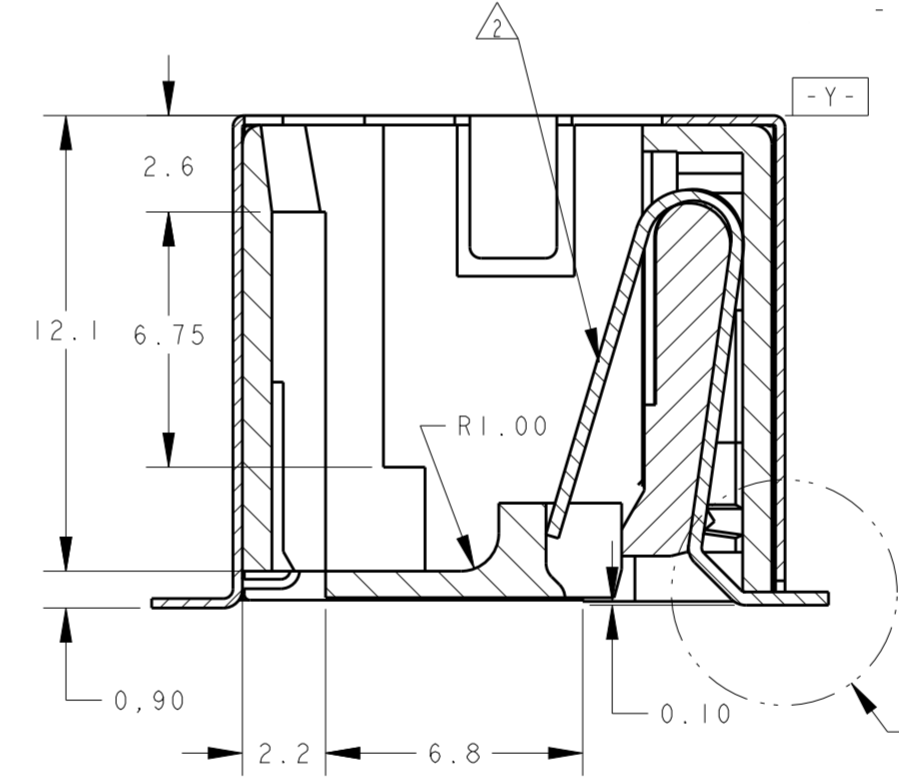
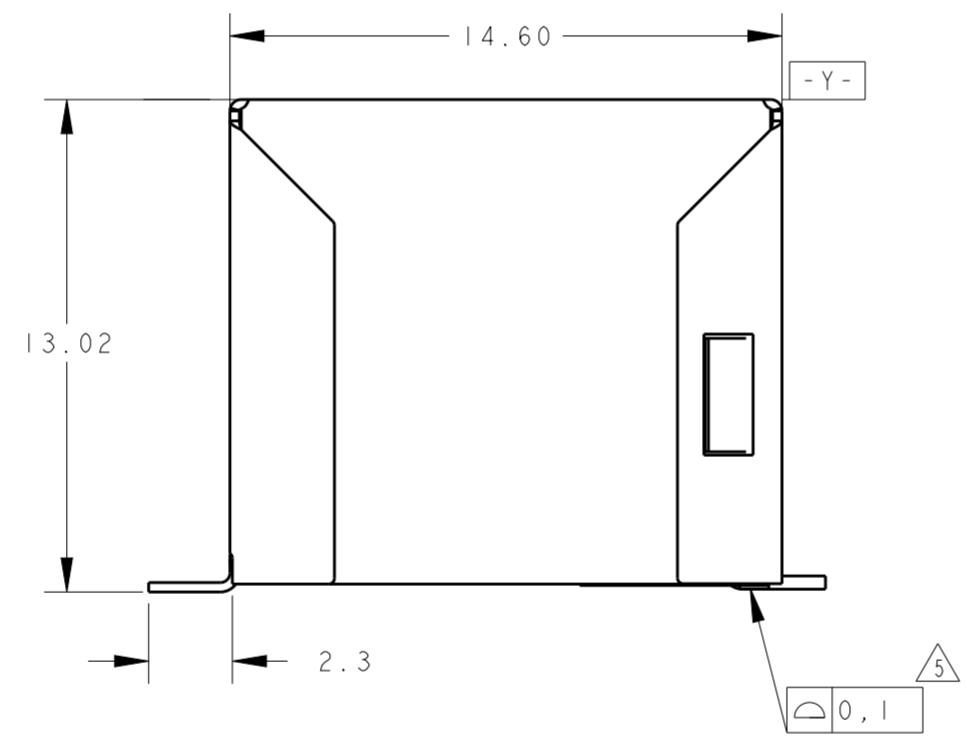
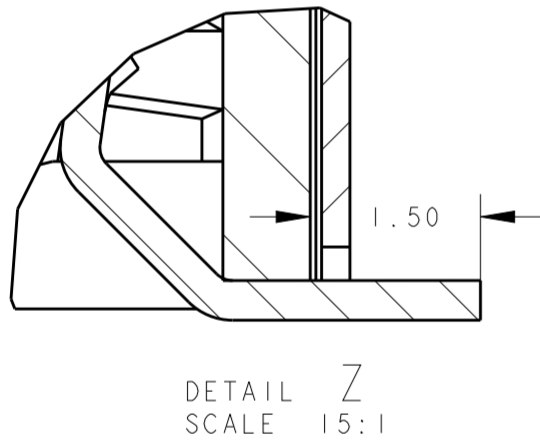
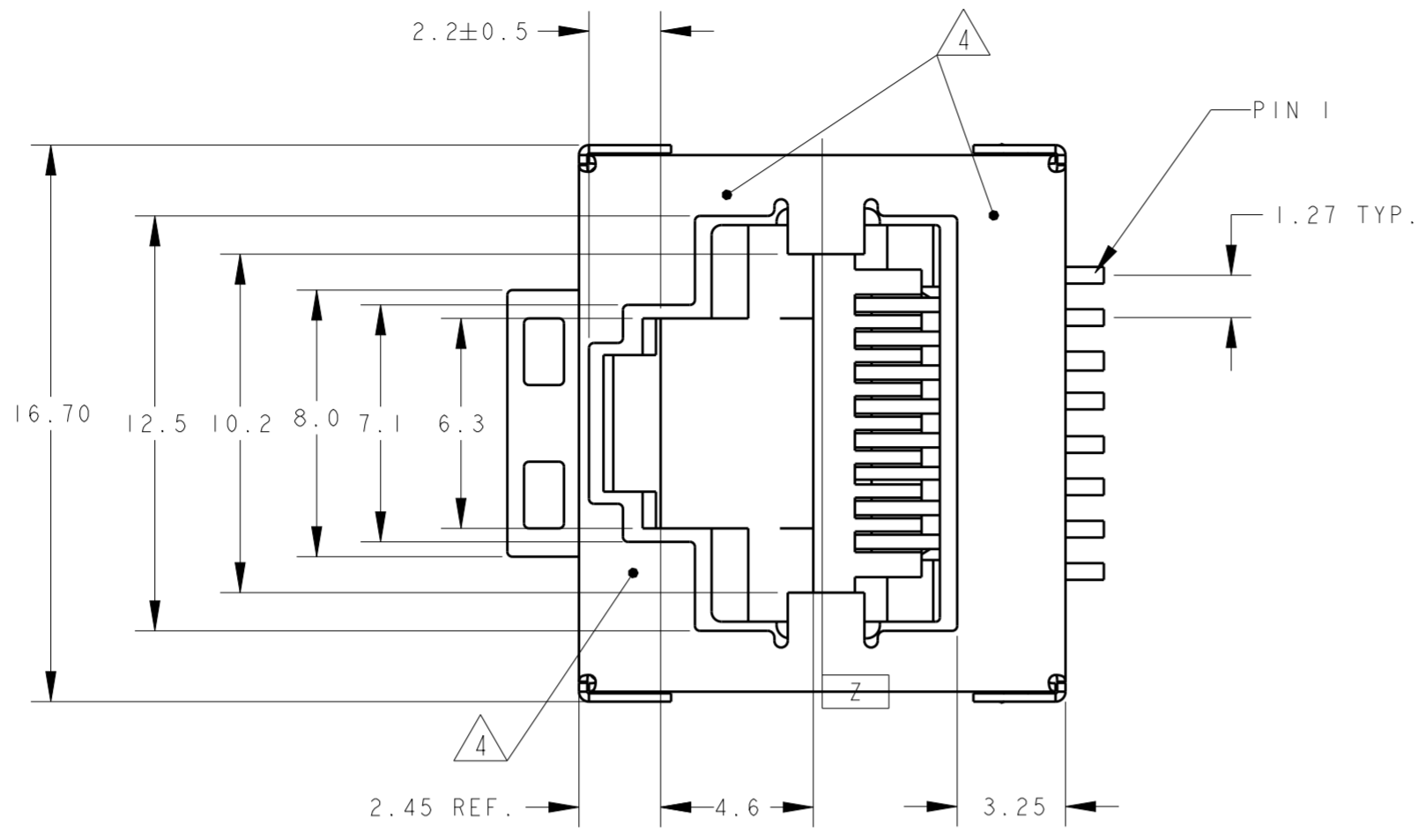
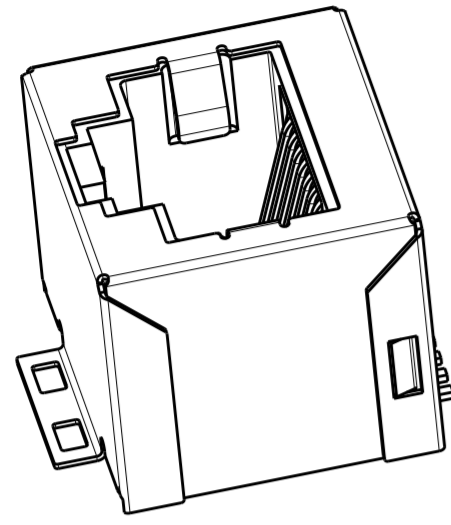
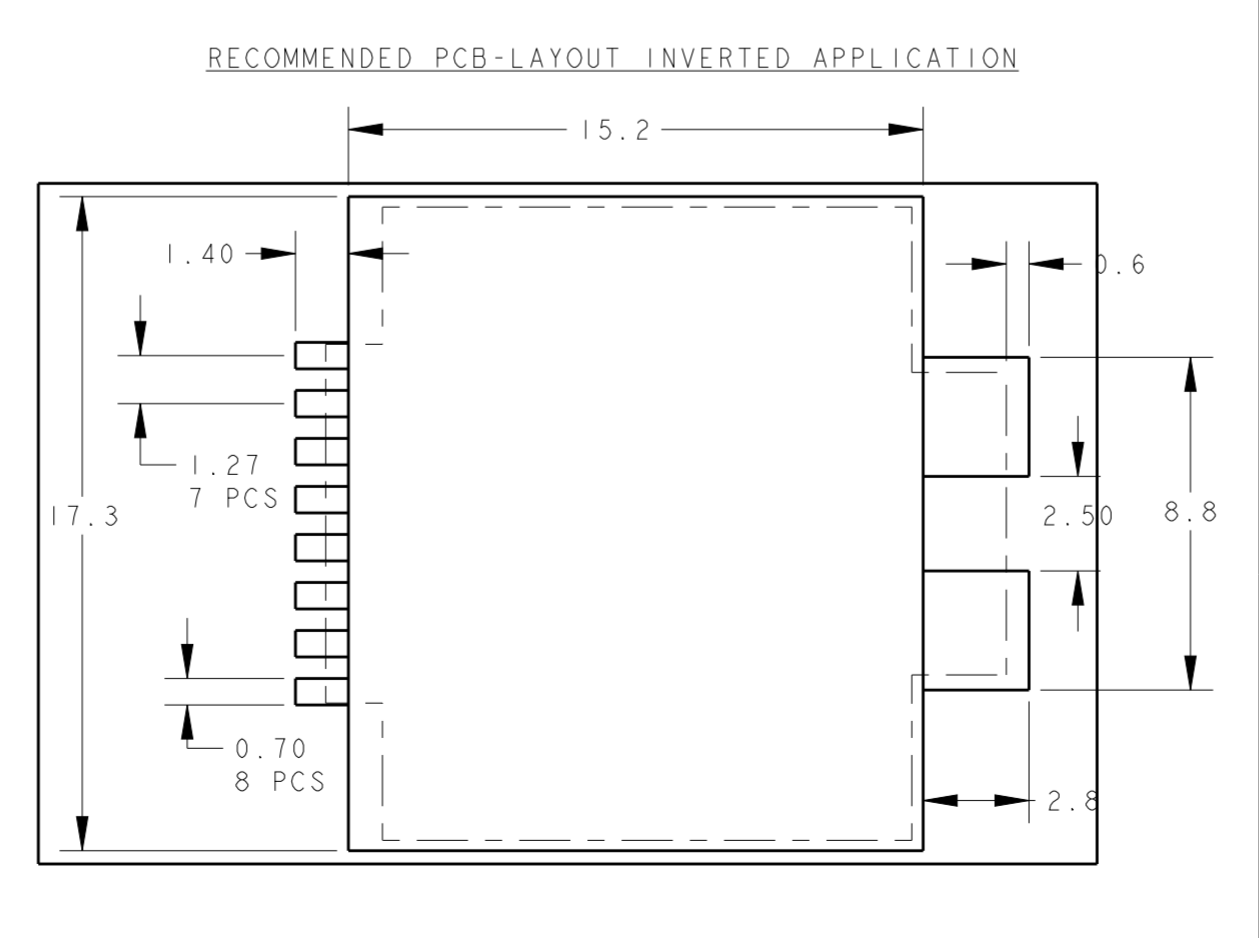
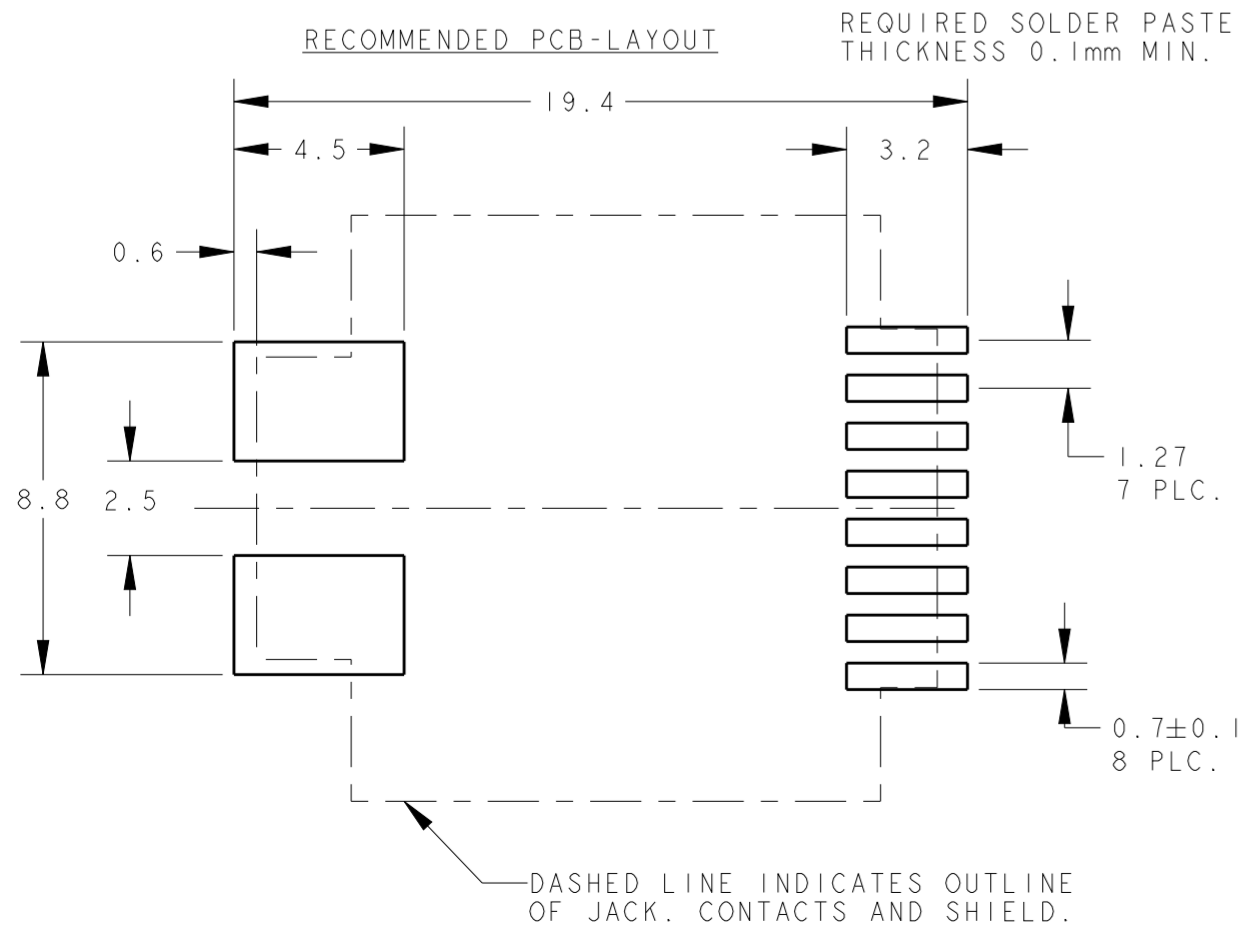


THIS DRAWING IS UNPUBLISHED. RELEASED FOR PUBLICATION 2011
 © COPYRIGHT 2011 TE CONNECTIVITY ALL RIGHTS RESERVED.

LOC	DIST	REVISIONS					
		P	LTR	DESCRIPTION	DATE	DWN	APVD
IR	-	F		SHIELD RAWMATERIAL CHANGED TO BRASS	08MAR2012	PS	RRP
		G		PER ECO-11-025237	-	PS	RRP
		H		ECR-11-021290	-	PS	RRP



NOTES:
 1 TOLERANCES UNLESS OTHERWISE SPECIFIED: ±0,15
 -
 2 CONTACT PLATING:
 OVERALL: Ni 1,27µm MIN. ALL OVER THE CONTACTS
 SOLDER ZONE: Sn 3,5-5,0µm ON THE SOLDER ZONE OF THE CONTACT
 MATING ZONE: PLATING CONFIRMS TO PRODUCT REQUIREMENTS AS PER SPECIFICATION 108-19117
 -
 3 MATERIAL:
 HOUSING: 30% G.F. PA 4T COLOR BLACK, UL 94V-0
 CONTACTS: PHOSPHOR BRONZE
 SHIELD: TINPLATED BRASS
 -
 4 SURFACE CAN BE USED FOR PICKING THE MODULAR JACK WITH TYPE II SMD MACHINE.
 -
 5 MEASURED AT HEEL OF CONTACTS.
 COPLANARITY AT TIPS MAX. 0,18 mm.
 -
 6 TAPE AND REEL PACKING AS PER EIA 481-3
 -



SECTION A - A
 1705549-1 AS SHOWN.

YELLOW	1705549-2	2
BLACK	1705549-1	1
COLOUR	PART NUMBER	SL NO.

THIS DRAWING IS A CONTROLLED DOCUMENT.

DWN: P. WILLEMS, 17 JUN 04
 CHK: P. GROELS, 17 JUN 04
 APVD: P. JAEGER

TE Connectivity
STE
 MODULAR JACK SMT, 8 POSITION,

SIZE: A20779 C-1705549
 SCALE: 5:1 SHEET 1 OF 2 REV H

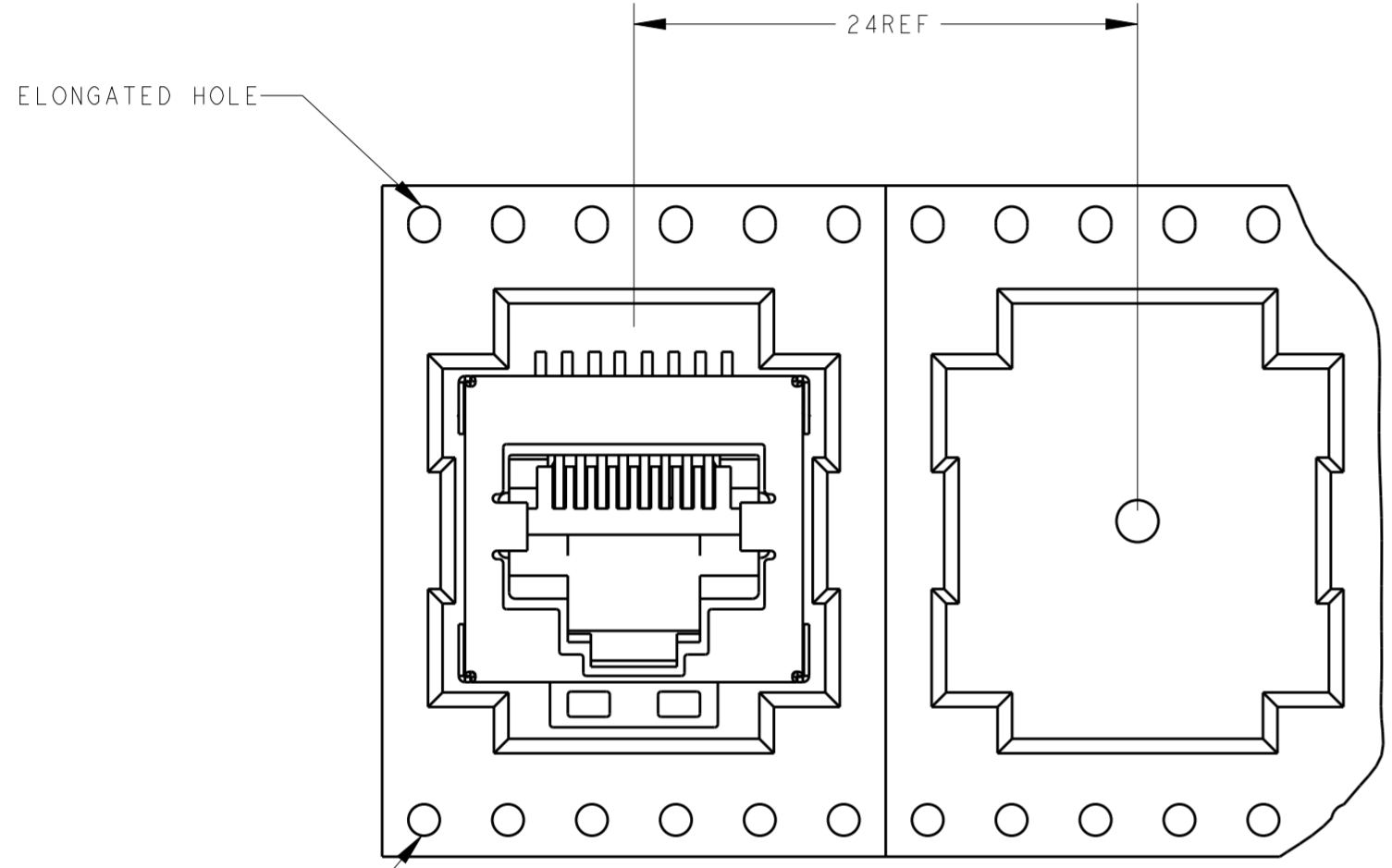
THIS DRAWING IS A CONTROLLED DOCUMENT. DIMENSIONS: mm. TOLERANCES UNLESS OTHERWISE SPECIFIED: 0 PLC ±, 1 PLC ±0.15, 2 PLC ±0.05, 3 PLC ±0.005, 4 PLC ANGLES ±, FINISH ±.

SEE NOTE 3 - SEE NOTE 2 -

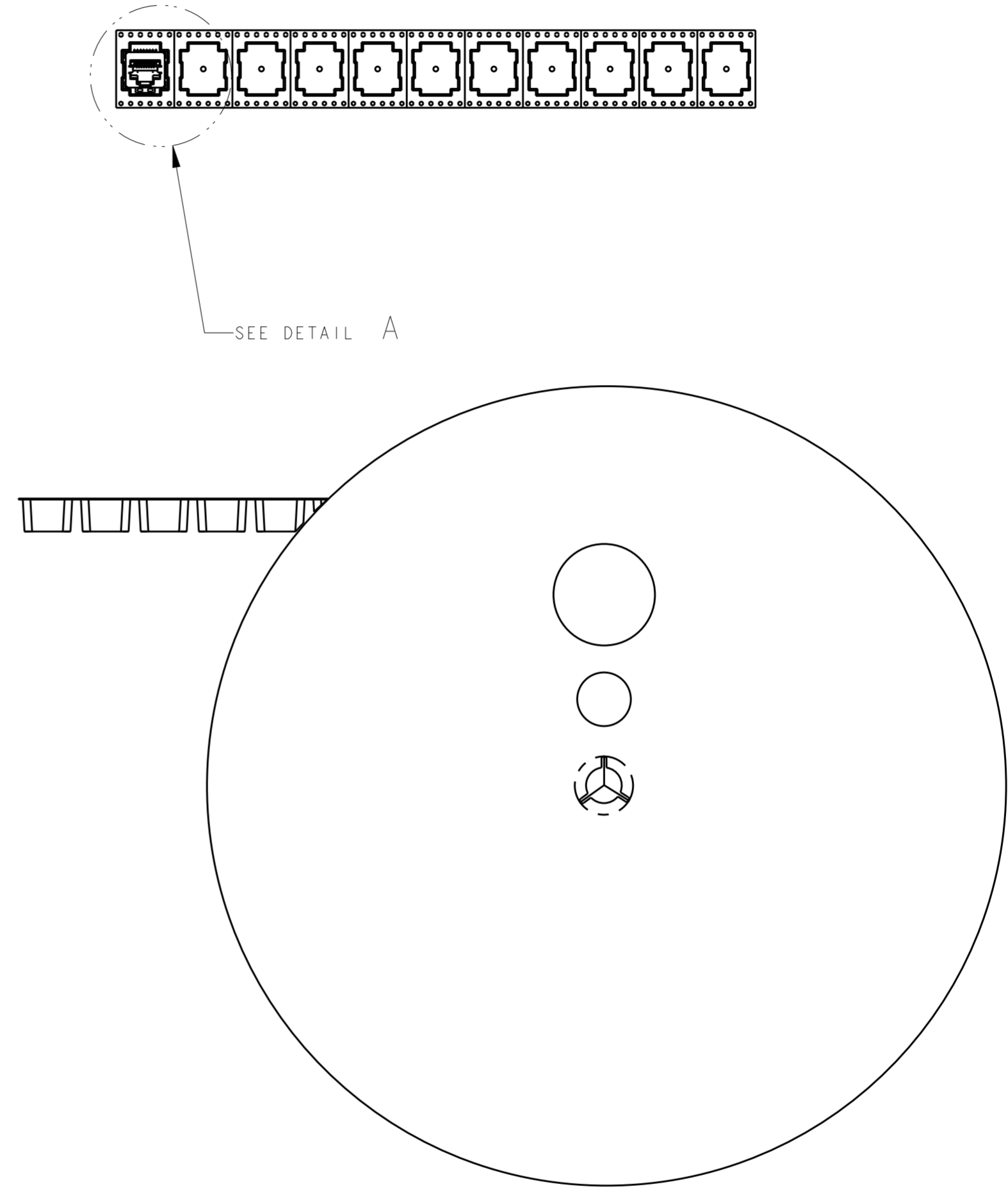
CUSTOMER DRAWING

THIS DRAWING IS UNPUBLISHED. RELEASED FOR PUBLICATION 2011
 © COPYRIGHT 2011 TE CONNECTIVITY ALL RIGHTS RESERVED.

LOC	DIST	REVISIONS			
P	LTR	DESCRIPTION	DATE	DWN	APVD
IR	-	SEE SHEET 1	-	-	-



DETAIL A
SCALE 3:1



SCALE 1:2

THIS DRAWING IS A CONTROLLED DOCUMENT.		DWN P. WILLEMS 17 JUN 04	STE TE Connectivity	
		CHK P. GROELS 17 JUN 04		
DIMENSIONS: mm		APVD P. JAEGER	NAME MODULAR JACK SMT , 8 POSITION,	
TOLERANCES UNLESS OTHERWISE SPECIFIED: 0 PLC ± 1 PLC ±0.15 2 PLC ±0.05 3 PLC ±0.005 4 PLC ± ANGLES ± FINISH		PRODUCT SPEC -	RESTRICTED TO -	
MATERIAL -		APPLICATION SPEC -	SIZE A20779	DRAWING NO C-1705549
		WEIGHT -	SCALE 5:1	SHEET 2 OF 2
		CUSTOMER DRAWING	REV H	