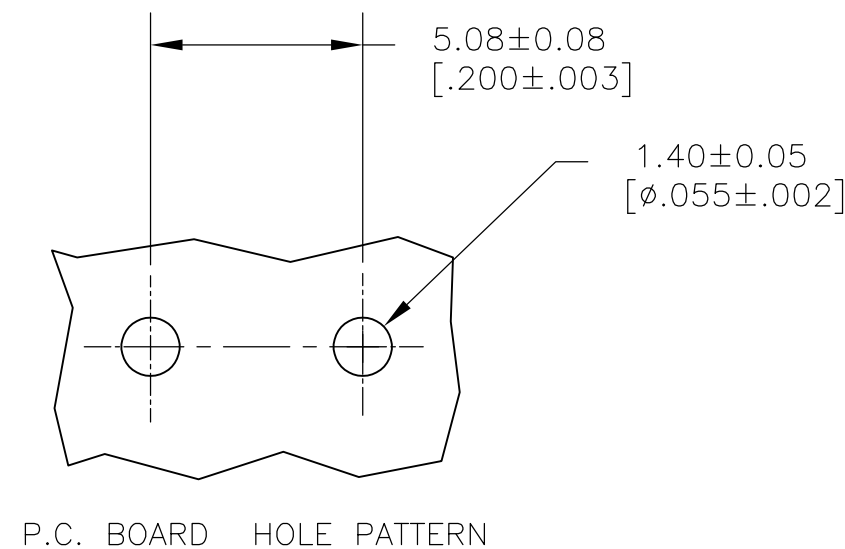
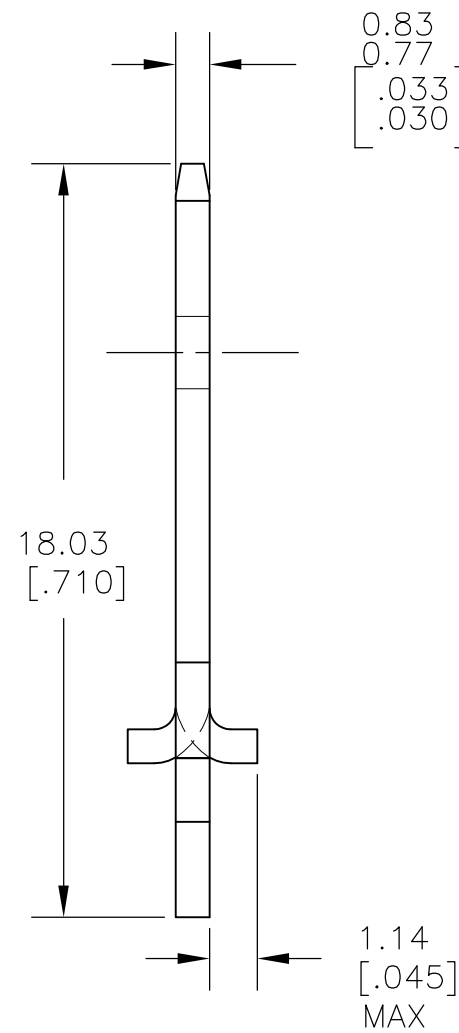
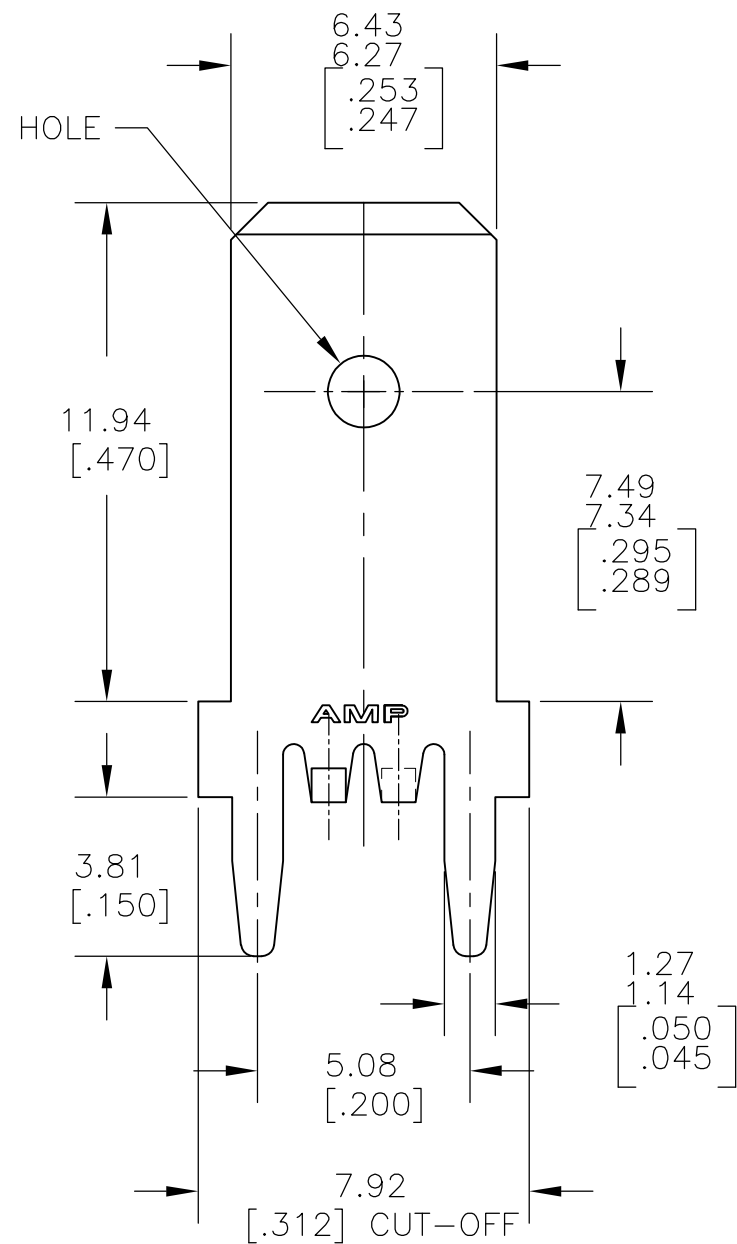


THIS DRAWING IS UNPUBLISHED. RELEASED FOR PUBLICATION  
 © COPYRIGHT - By - ALL RIGHTS RESERVED.

LOC	DIST	REVISIONS			
P	LTR	DESCRIPTION	DATE	DWN	APVD
AF	50	D	REVISED PER ECR-13-001204	26JUN13	KH PD



1 CONTINUOUS STRIP ON REELS.  
 2 TIN PLATE 0.00381 [.000150] MIN OVER 0.00254 [.000100] MIN THK COPPER.

1217125-1  
 PART NO.

THIS DRAWING IS A CONTROLLED DOCUMENT.		DWN	JR RUTH	23MAR01	 TE Connectivity NAME TAB, FASTON, P.C.BOARD 6.35 [.250]
DIMENSIONS: mm[INCHES]		CHK	MS FEHER	23MAR01	
TOLERANCES UNLESS OTHERWISE SPECIFIED:		APVD	N DEIBERT	23MAR01	
0 PLC ± - 1 PLC ± - 2 PLC ± 0.25 [.010] 3 PLC ± - 4 PLC ± - ANGLES ± -		PRODUCT SPEC	-	-	
MATERIAL	BRASS	FINISH	2	WEIGHT	-
SIZE		CAGE CODE	A3 00779	DRAWING NO	C-1217125
CUSTOMER DRAWING		SCALE	6:1	SHEET	1 of 1
RESTRICTED TO		-			
REV		D			

# Mouser Electronics

Authorized Distributor

Click to View Pricing, Inventory, Delivery & Lifecycle Information:

[TE Connectivity:](#)

[1217125-1](#)