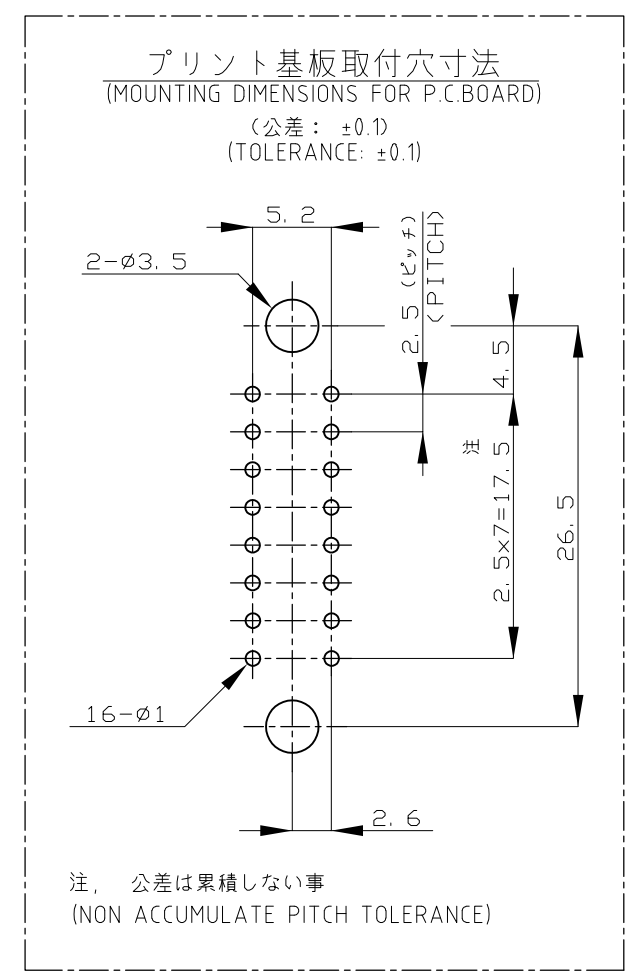
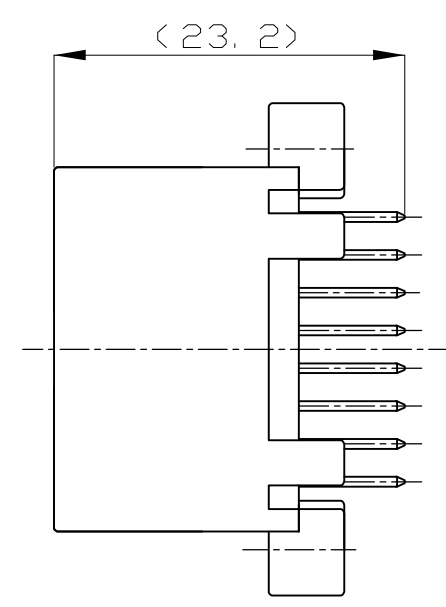
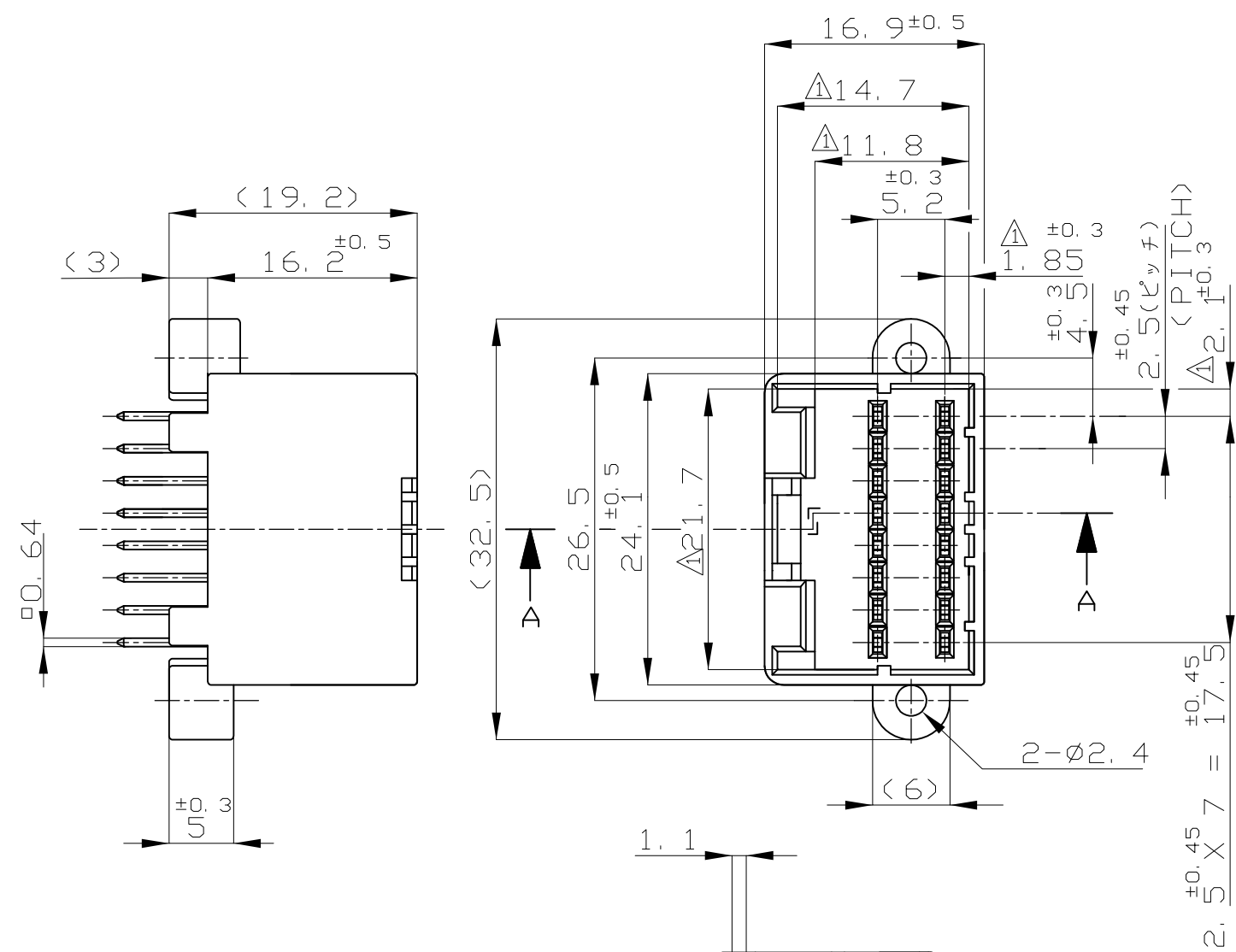


THIS DRAWING IS UNPUBLISHED. RELEASED FOR PUBLICATION  
 © COPYRIGHT - By - ALL RIGHTS RESERVED.

LOC	DIST	REVISIONS					
		P	LTR	DESCRIPTION	DATE	DWN	APVD
J	-		D4	REVISED PER ECO-11-005140	28MAR11	RK	HMR



- 注:
- △ [-Z-] 面より2mmの範囲で測定
  - 2. 適用プリント基板厚: 1.6mm
  - 3. カン合相手ハウジング型番: 174046
  - 4. 推奨取付ネジ: JIS B1115, B1122 タッピンネジ, ナベ2種  
呼び径3, 長さ6mm (締付けトルク0.8N-M以下)

断面 A-A  
 (SECT. A-A)

- NOTE:
- △ TO BE MEASURED WITHIN 2mm FROM [-Z-]
  - 2. APPLICABLE P.C.BOARD THICKNESS : 1.6mm
  - 3. THE MATING COUNTERPART PART NUMBER : 174046
  - 4. RECOMMENDED MOUNTING SCREW : 3mmDIA, 6mmLENGTH TAPPING SCREW  
SPECIFIED IN JIS B1115, B1122 (TIGHTENING TORQUE : 0.8N-M MAX.)

一般公差  
 (GENERAL TOLERANCES)

0<* < 10	: ±0.2
10<* < 30	: ±0.25
30<* < 100	: ±0.3
ANGLES	: ±3°

THIS DRAWING IS A CONTROLLED DOCUMENT.

DIMENSIONS: 単位: 耗 mm	TOLERANCES UNLESS OTHERWISE SPECIFIED: 一般公差
0 PLC ±-	1 PLC ±-
2 PLC ±-	3 PLC ±-
4 PLC ±-	ANGLES ±-
MATERIAL 材料	FINISH 仕上
HOUSING : PBT	CONTACT : BRASS

PRE-TIN	NATURAL	174975-4	
SELECTIVE-TIN	PRE-TIN	2-174975-1	
PRE-TIN	BLACK	174975-2	
SELECTIVE-TIN (MATTE)	SELECTIVE-TIN (BRIGHT)	BLACK	174975-1
SOLDERING SIDE 半田付け部	CONTACT SIDE 接触部側	COLOR	PART NUMBER 製品型番
CONTACT FINISH コンタクト仕上		色	製品型番

DWN M.KADOSAKI 120CT05	TE Connectivity		
CHK T.SHINOHARA 120CT05			
APVD K.BETSUI 120CT05	NAME 名称		
PRODUCT SPEC 製品規格	16Pos. CAP HOUSING ASS'Y .040 SRS. MULTI-LOCK I/O CONN. (V-TYPE)		
APPLICATION SPEC 取付適用規格	SIZE	CAGE CODE	DRAWING NO 番号
WEIGHT	A3	00779	G-174975
CUSTOMER DRAWING		SCALE 尺度	SHEET 1 OF 1
		RESTRICTED TO	REV D4

# Mouser Electronics

Authorized Distributor

Click to View Pricing, Inventory, Delivery & Lifecycle Information:

[TE Connectivity:](#)

[174975-2](#)