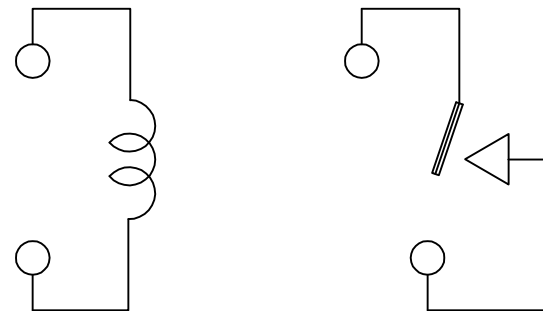
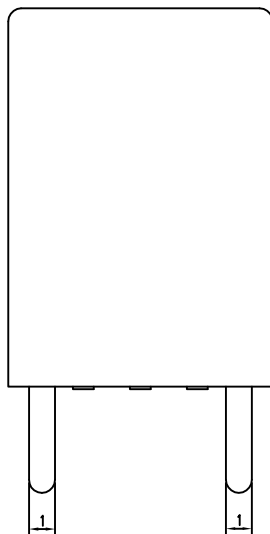
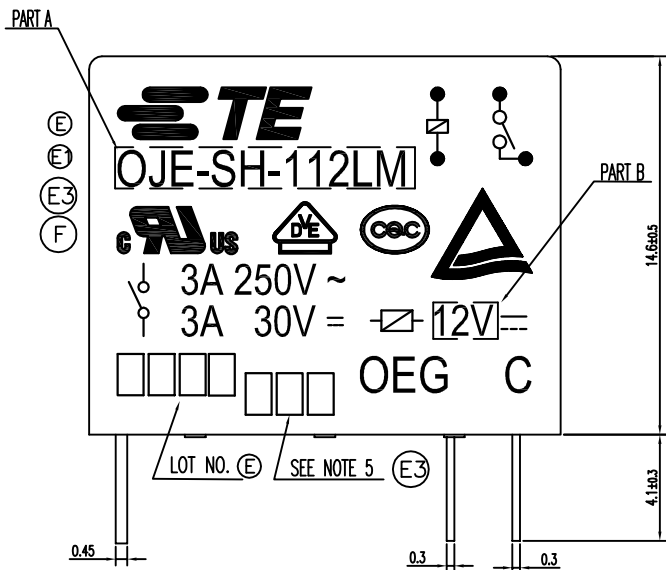


THIS DRAWING IS UNPUBLISHED. RELEASED FOR PUBLICATION

© COPYRIGHT - By - TE CONNECTIVITY

ALL RIGHTS RESERVED.

LOC	DIST	REVISIONS			
P	LTR	DESCRIPTION	DATE	DWN	APVD
HB	-	REMOVED CSA&OPTIMIZATION SSA RATING&USED WELDED CONTACT ECO-13-000705	14Aug2013	YS.H	F.B



CONNECTION FIGURE

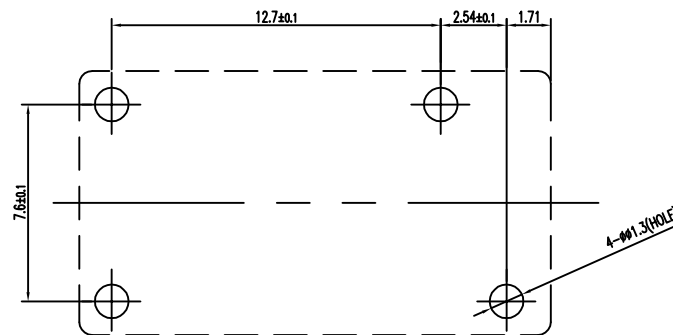
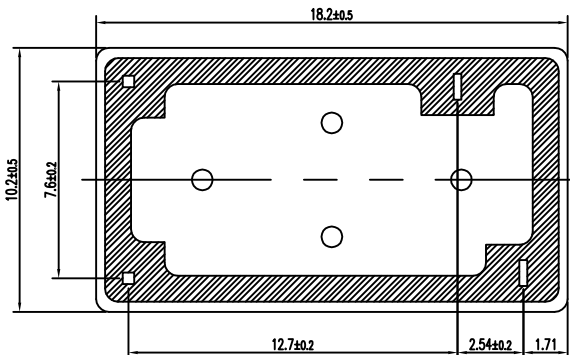


FIGURE FOR PRINTED CIRCUIT BOARD PROCESSING (BOTTOM VIEW)



THIS DRAWING IS A CONTROLLED DOCUMENT.		DWN H.SASAKI	TE Connectivity	
		CHK Y.OIKAWA		
		APVD A.NAGAI	NAME	
		PRODUCT SPEC	-	
		APPLICATION SPEC	-	
		WEIGHT	-	
		CUSTOMER DRAWING	SIZE A3	CAGE CODE 00779
			DRAWING NO C=1461035	RESTRICTED TO
			SCALE 5:1	SHEET 1 of 2
				REV F

THIS DRAWING IS UNPUBLISHED. RELEASED FOR PUBLICATION
 © COPYRIGHT - By - ALL RIGHTS RESERVED.

LOC	DIST	REVISIONS			
P	LTR	DESCRIPTION	DATE	DWN	APVD
HB	-	SEE SHEET 1	-	-	-

①	1461035-2	OJE-SS-118LM	107-79010	18V	OJE-SS-118LM	g
②	5-1419144-0	OJE-SS-103LM	107-79010	3V	OJE-SS-103LM	f
	6-1419128-7	OJE-SS-124LM	107-79010	24V	OJE-SS-124LM	e
	4-1419128-6	OJE-SS-112LM	107-79010	12V	OJE-SS-112LM	d
	3-1419128-9	OJE-SS-109LM	107-79010	9V	OJE-SS-109LM	c
	1461035-1	OJE-SS-106LM	107-79010	6V	OJE-SS-106LM	b
	3-1419128-0	OJE-SS-105LM	107-79010	5V	OJE-SS-105LM	a
	PART NO	TYPE NAME	PACKAGE SPEC	PART B	PART A	TYPE

RELAY TYPE

⑤① NOTES:

1. LOT NO. SYSTEM AS FOLLOWING:



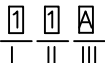
WEEK
YEAR

③ 2. TERMINAL DIMENSION IS BEFORE SOLDER DIP;

③ 3. FOR THE TIN-PLATING OF THE PINS:
 +0.1mm FOR WIDTH, THICKNESS AND DIAMETER.
 +0.5mm FOR LENGTH.

③③ 4. USED WELDED CONTACT & LASER MARKING.

③ 6. ADD LOT NO. SYSTEM AS FOLLOWING;



I, DIGITS FOR DAY OF THE WEEK
 1...MONDAY IN THIS WEEK;
 2...TUESDAY IN THIS WEEK;

 7...SUNDAY IN THIS WEEK
 II, DIGITS FOR SHIFT OF THE DAY
 1...DAY SHIFT IN THIS DAY;
 2...NIGHT SHIFT IN THIS DAY;
 III, ONE CHARACTER DISTINGUISH THE LINE IDENTITY, SUCH AS: A,B,.....Z

Diagram dimension	Tolerance
0.99mm max.	±0.1mm
1 - 2.99mm	±0.2mm
3mm min.	±0.3mm

		EPOXY RESIN	SEAL (BASE & BOBBIN)	15
		SUEW	MAGNETIC WIRE	14
94V-0		P.B.T	CASE	13
94V-0		P.B.T	BASE	12
94V-0		P.B.T	BOBBIN	11
	SOLDER DIP	C.P WIRE	COIL TERMINAL	10
94V-0		P.P.S	CARD	9
		Ag	MOVABLE CONTACT	8
		Ag	NO.CONTACT	7
		STEEL	HINGE SPRING	6
	SOLDER DIP	Cu ALLOY	NO.TERMINAL	5
	SOLDER DIP	Cu ALLOY	MOVABLE SPRING	4
	NIP	STEEL	CORE	3
	NIP	STEEL	ARMATURE	2
	NIP	STEEL	YOKE	1
INCOMBUSTIBILITY	TREATMENT	MATERIAL	DESCRIPTION	ITEM

THIS DRAWING IS A CONTROLLED DOCUMENT.		DWN	H.SASAKI	-
DIMENSIONS: mm		CHK	Y.OIKAWA	-
TOLERANCES UNLESS OTHERWISE SPECIFIED:		APVD	A.NAGAI	-
0 PLC ± -		PRODUCT SPEC	-	-
1 PLC ± -		APPLICATION SPEC	-	-
2 PLC ± -		WEIGHT	-	-
3 PLC ± -		CUSTOMER DRAWING	-	-
4 PLC ± -		SCALE	5:1	SHEET 2 of 2
ANGLES ± -		RESTRICTED TO	-	REV F
MATERIAL	FINISH	SIZE	A3	CAGE CODE
-	-	DRAWING NO	C=1461035	00779



OJE-SS-LM CUSTOMER DRAWING