

MICRO SWITCH
a Honeywell Division

FED. MFG. CODE 91929

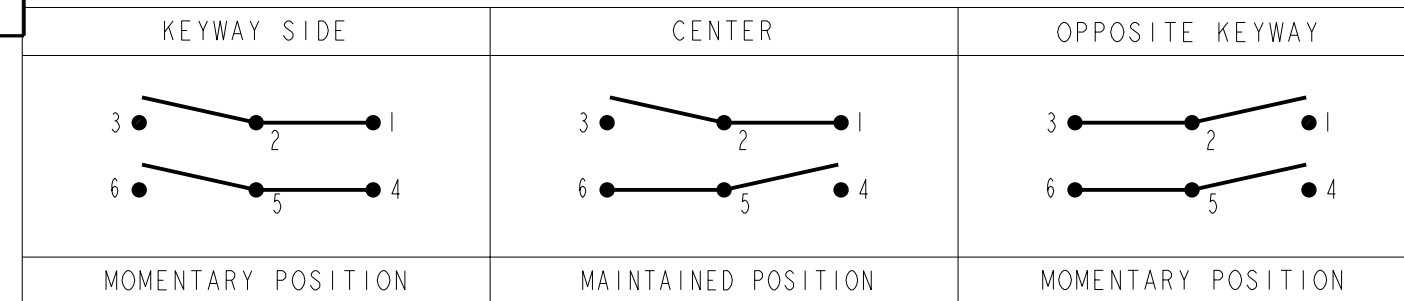
SWITCH - TOGGLE

CATALOG LISTING

2NT1-70

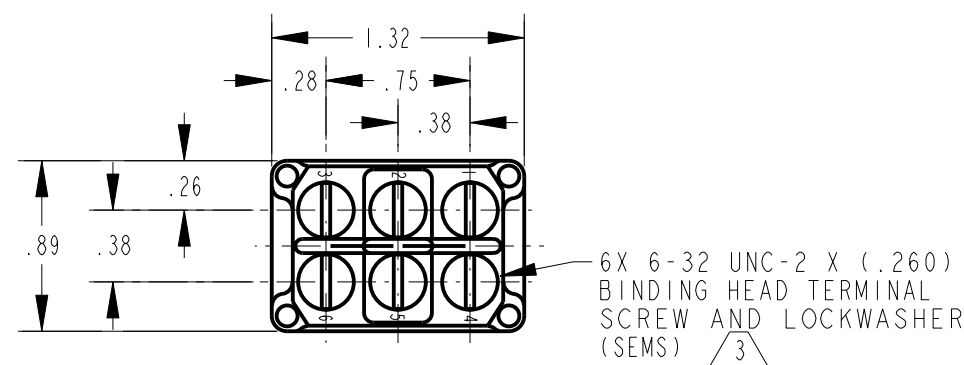
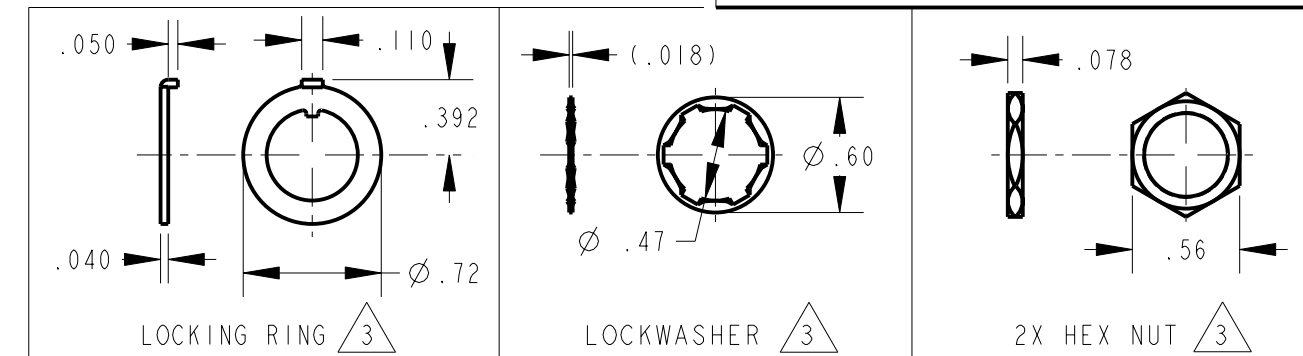
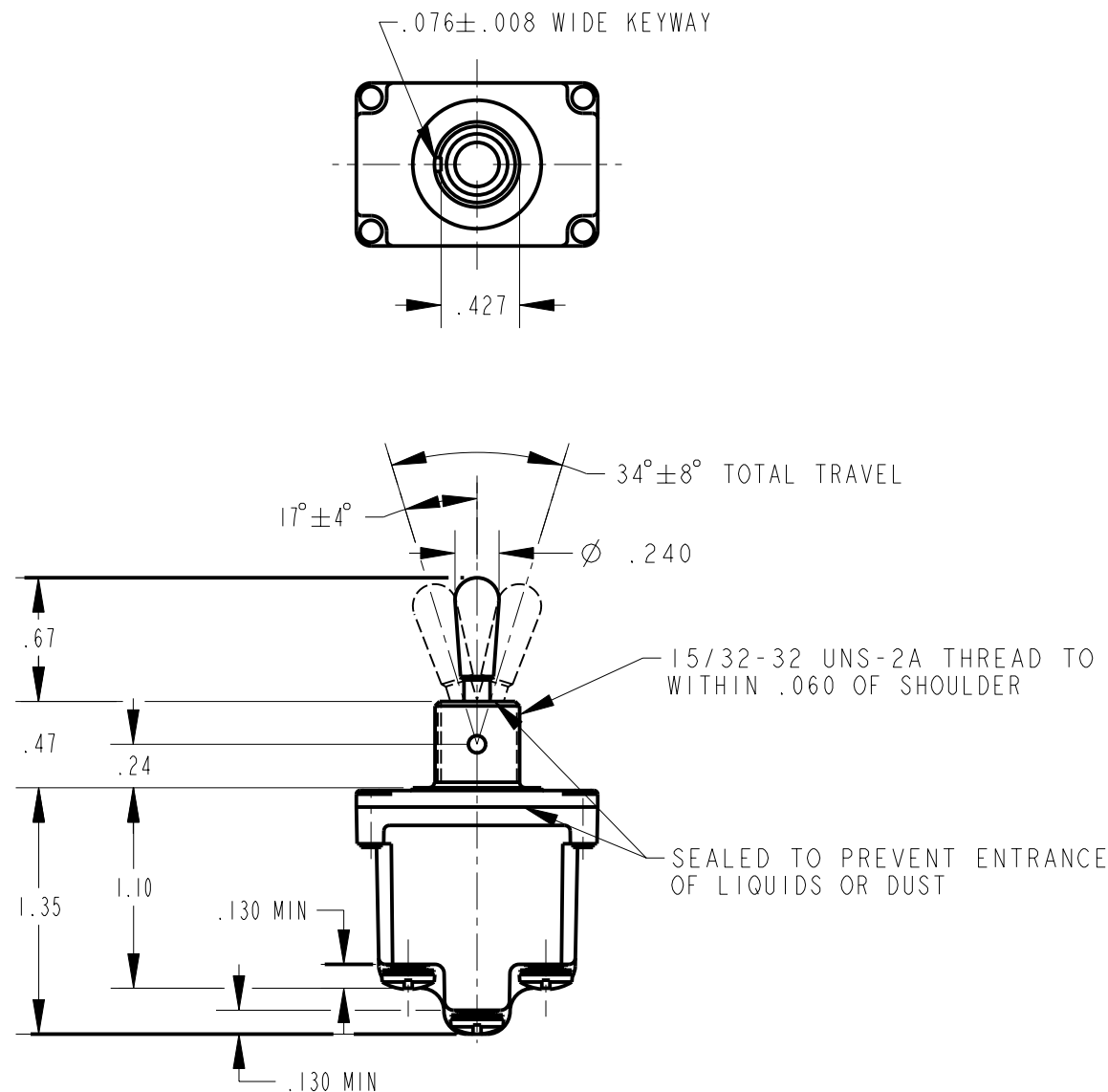
THIS DRAWING COVERS A PROPRIETARY ITEM AND IS THE PROPERTY OF MICRO SWITCH. A DIVISION OF HONEYWELL. THIS DRAWING IS NOT TO BE COPIED OR USED WITHOUT THE APPROVAL OF MICRO SWITCH

CIRCUIT MADE WITH TOGGLE LEVER IN



ELECTRICAL DATA

L192 10A 125, 250, 277 VAC
1/4HP 125 VAC,
1/2HP 250, 277 VAC
3A 125 VAC "L"



NOTES

- 1 - SWITCHES ARE CAPABLE OF WITHSTANDING A TEMPERATURE OF 160°F CONTINUOUSLY AT FULL RATED LOAD
- 2 - MICRO SWITCH CAT. LIST. MARKED ON SIDE OF SWITCH
- 3 FURNISHED UNASSEMBLED
- 4 APPLIES ONLY TO "ON" AND "MOMENTARY ON" POSITIONS

THIRD ANGLE PROJECTION	
SCALE	FULL
DO NOT SCALE PRINT	
UNLESS OTHERWISE SPECIFIED TOLERANCES ARE	
ONE PLACE	(.0) ±.030
TWO PLACE	(.00) ±.015
THREE PLACE	(.000) ±.005
ANGLES	±
WEIGHT	.12 LBS APPROX

ANSI Y14.5M-1982 APPLIES

PTC/CAD 2D
 DRAWN TSM 23NOV99
 CHECK SAV 23NOV99
 CHECK SAV 23NOV99
 REVISIONS
 A C094360 TSM 23NOV99
 ISSUE 3
 M
 CATALOG LISTING
 2NT1-70
 PAGE 1 OF 1
 RELEASE NO. PR-19885
 REPLACES