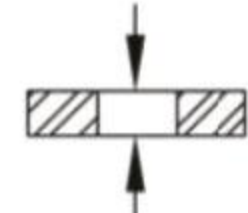
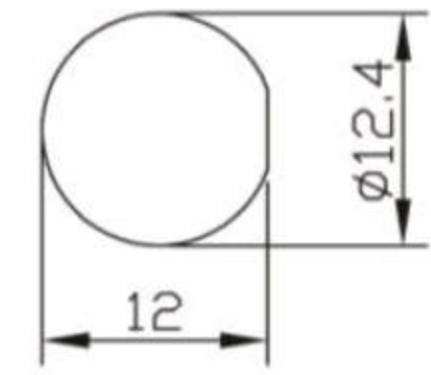
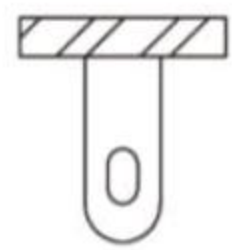


Panel CUT-OUT



0.5-6.5 mm MAX

TERMINAL



Solder  
4.0 mm/0.156"