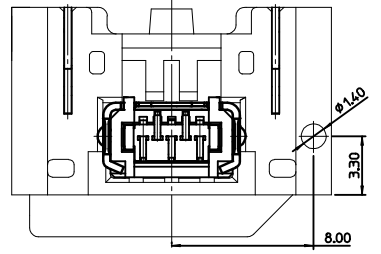
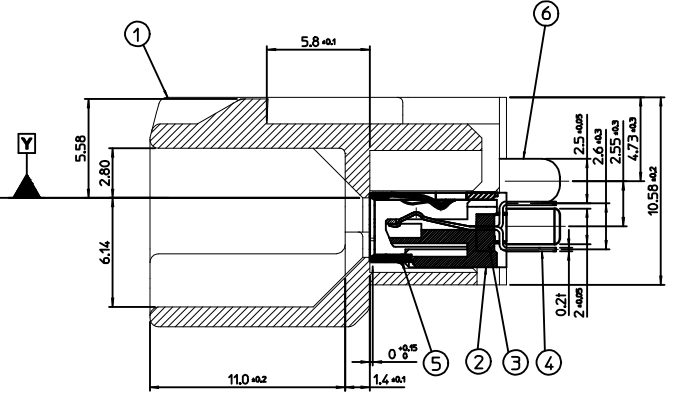
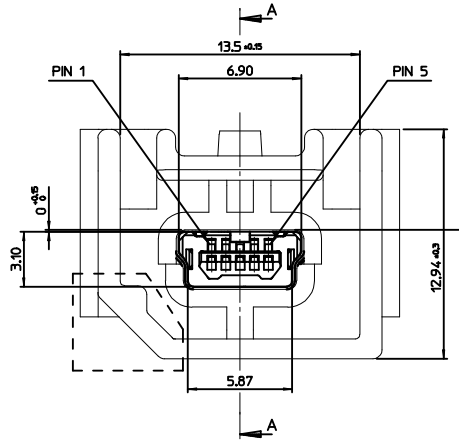


**RECOMMENDED PCB LAYOUT**



- NOTE**
- MATES WITH :  
(MOLEX SERIES NO. - 111014, 111015, 111005, 111041, 111019, 111020)
  - SHROUD GEOMETRY AND ASSEMBLY WITH USB MINI-B CONNECTOR ARE ACCORDING TO USCAR STD 999-U-USB-Z01
  - FINISHES  
- TERMINAL :  
CONTACT AREA : Au 0.754m MIN.  
SOLDER TAIL AREA : TIN 3.84m MIN.  
UNDER PLATING : NI 1.04m MIN.  
- SHIELD CASE :  
3.04m MIN. TIN OVER NI 1.04m MIN.  
- FITTING NAIL :  
3.04m MIN. TIN OVER NI 1.04m MIN.
  - UNLESS OTHERWISE SPECIFIED, TYPICAL RECOMMENDED PCB MANUFACTURING TOLERANCE IS ±0.05
  - PACKAGING IS TRAY :  
-STD. TYPE :48 PCS/TRAY, 5 TRAY/TRAY BOX, 240 PCS/TRAY BOX, 960 PCS/CARTON BOX)  
-ST TYPE:32 PCS/TRAY, 3 TRAY/TRAY BOX, 96 PCS/TRAY BOX, 384 PCS/CARTON BOX)
  - PACKING IS EMBOSS:  
"SEE SHEET 2 OF 2 OF THIS PRINT."
  - PRODUCT SPECIFICATION : PS-49616-001
  - PCB THICKNESS : 2.36mm(REFERENCE)

<TABLE 1>

MATERIAL NO.	ORDER NO.	COLOR	PACKING	PACKING INFO.
1040040901	104004-0901	BLACK	TRAY	PK-104004-003
1040040902	104004-0902	BLACK	ST TRAY	PK-104004-004
1040040903	104004-0903	BLACK	EMBOSS	PK-104004-005

<PARTS LIST>

NO.	PART NAME	MATERIAL
1	SHROUD-A	LCP, GLASS FILLED, UL94 V-0
2	RECEPTACLE HOUSING	LCP, GLASS FILLED, UL94 V-0
3	CONTACT HOUSING	LCP, GLASS FILLED, UL94 V-0
4	CONTACT TERMINAL	COPPER ALLOY
5	SHIELD CASE	PHOSPHOR BRONZE
6	BOARD LOCKS PIN	BRASS

REVISED  
EC NO: KTR2015-0098  
DRAWN: IBAEK 2015/04/27  
CHKD:  
APPR: JYCHOI 2015/05/04  
REV DESCRIPTION

QUALITY SYMBOLS  
▽=0  
▽=0

GENERAL TOLERANCES (UNLESS SPECIFIED)  
mm INCH  
4 PLACES ± --- ± ---  
3 PLACES ± --- ± ---  
2 PLACES ± 0.15 ± ---  
1 PLACE ± 0.25 ± ---  
ANGULAR ± 1 °

DRAFT WHERE APPLICABLE  
MUST REMAIN  
WITHIN DIMENSIONS

DIMENSION STYLE: MM ONLY  
SCALE: 5:1  
DESIGN UNITS: METRIC  
THIRD ANGLE PROJECTION

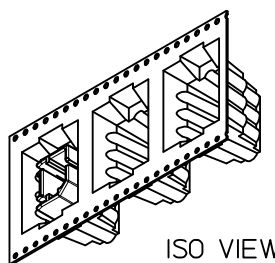
DRAWN BY: S.M.KIM DATE: 2009/06/17  
CHECKED BY: B.C.YOON DATE: 2009/06/17  
APPROVED BY: JYCHOI DATE: 2013/01/07

MATERIAL NO.: SEE TABLE 1  
DOCUMENT NO.: SD-104004-006  
SHEET NO.: 1 OF 2

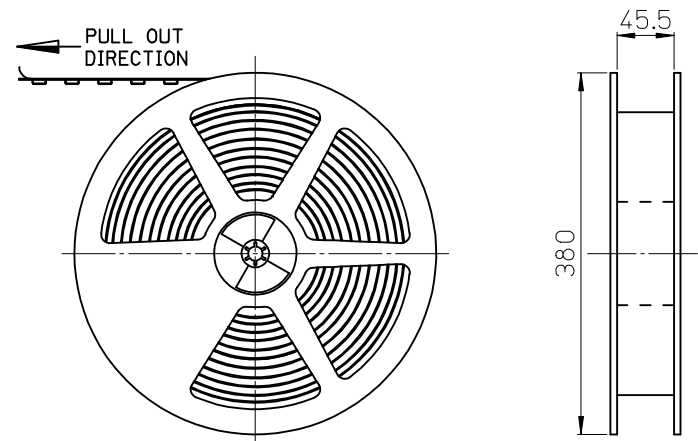
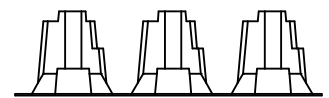
USCAR USB MINI B CONN  
VERTICAL A  
(LONG TERMINAL VERSION)  
MOLEX INCORPORATED

THIS DRAWING CONTAINS INFORMATION THAT IS PROPRIETARY TO MOLEX INCORPORATED AND SHOULD NOT BE USED WITHOUT WRITTEN PERMISSION

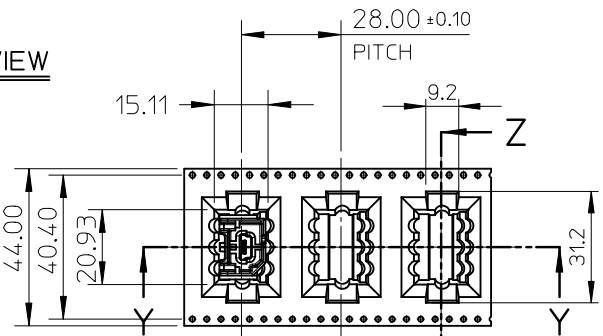
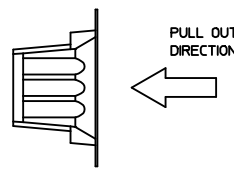
7 6 5 4 3 2 1



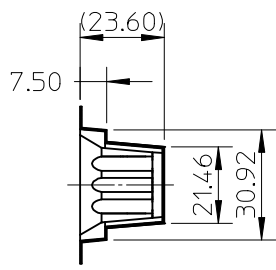
ISO VIEW



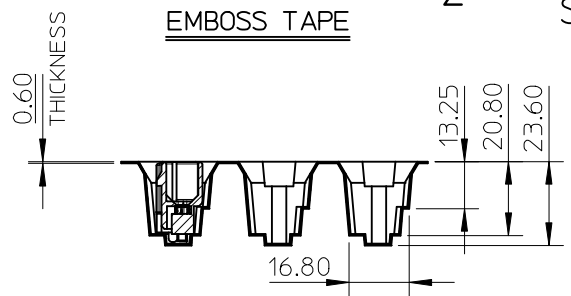
PLASTIC BOBBIN



EMBOSS TAPE



SECTION Z-Z



SECTION Y-Y

NOTES

- QUANTITY OF CONNECTORS: 120EA/REEL
- MATERIAL
  - PLASTIC BOBBIN : PS
  - CARRIER TAPE : P.E.T ANTI-STATIC
- LEAD LENGTH
- PEELING OFF FORCE OF COVER TAPE : 0.1N~0.59N(10.2GF~60GF)  
 (PEELING DIRECTION AS SHOW IN FOLLOW FIG.)  
 PEELING OFF SPEED : 300mm/Min.(Ref.)

5. FLASH IN ANY PORTION SHOULD BE LESS THAN 0.20mm MAX.

ADDED OPTION EC NO: KTR2015-0089 DRWN: YIBAOK 2015/04/18 CHKD: APPR: JYCHOI 2015/04/27	DESCRIPTION REV	QUALITY SYMBOLS	GENERAL TOLERANCES (UNLESS SPECIFIED)		DIMENSION STYLE	SCALE	DESIGN UNITS	THIRD ANGLE PROJECTION		
		$F=0$	mm	INCH	MM ONLY	1:2	METRIC	TITLE USCAR USB MINI B CONN VERTICAL A (LONG TERMINAL VERSION)		
		$F=0$	4 PLACES ± --- ± ---	DRAWN BY DATE	TITLE					
		$F=0$	3 PLACES ± --- ± ---	YIBAOK 2015/04/18	DRAWN BY DATE		SD-104004-006		SHEET NO.	
		$F=0$	2 PLACES ± 0.15 ± ---	CHECKED BY DATE	DRAWN BY DATE		SD-104004-006		2 OF 2	
		1 PLACE ± 0.25 ± ---	APPROVED BY DATE		SD-104004-006					
		0 PLACE ± --- ± ---	JYCHOI 2015/04/27		SD-104004-006					
ANGULAR ± 1 °			MATERIAL NO.		DOCUMENT NO.					
DRAFT WHERE APPLICABLE MUST REMAIN WITHIN DIMENSIONS			SEE TABLE		SD-104004-006					
			SIZE		THIS DRAWING CONTAINS INFORMATION THAT IS PROPRIETARY TO MOLEX INCORPORATED AND SHOULD NOT BE USED WITHOUT WRITTEN PERMISSION					

6 5 4 3 2 1

# Mouser Electronics

Authorized Distributor

Click to View Pricing, Inventory, Delivery & Lifecycle Information:

[Molex:](#)

[104004-0901](#)