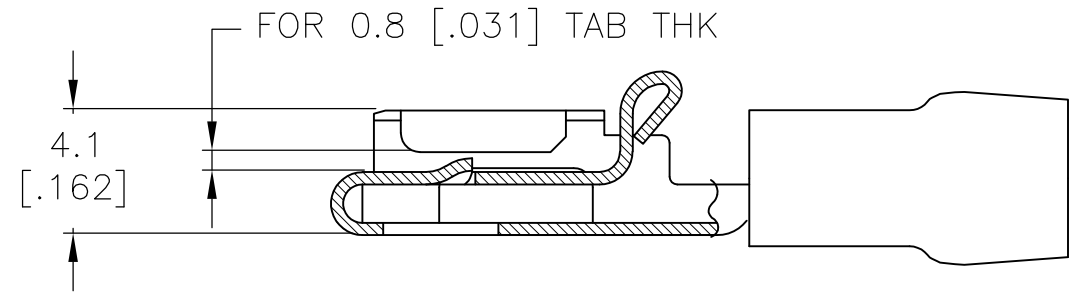
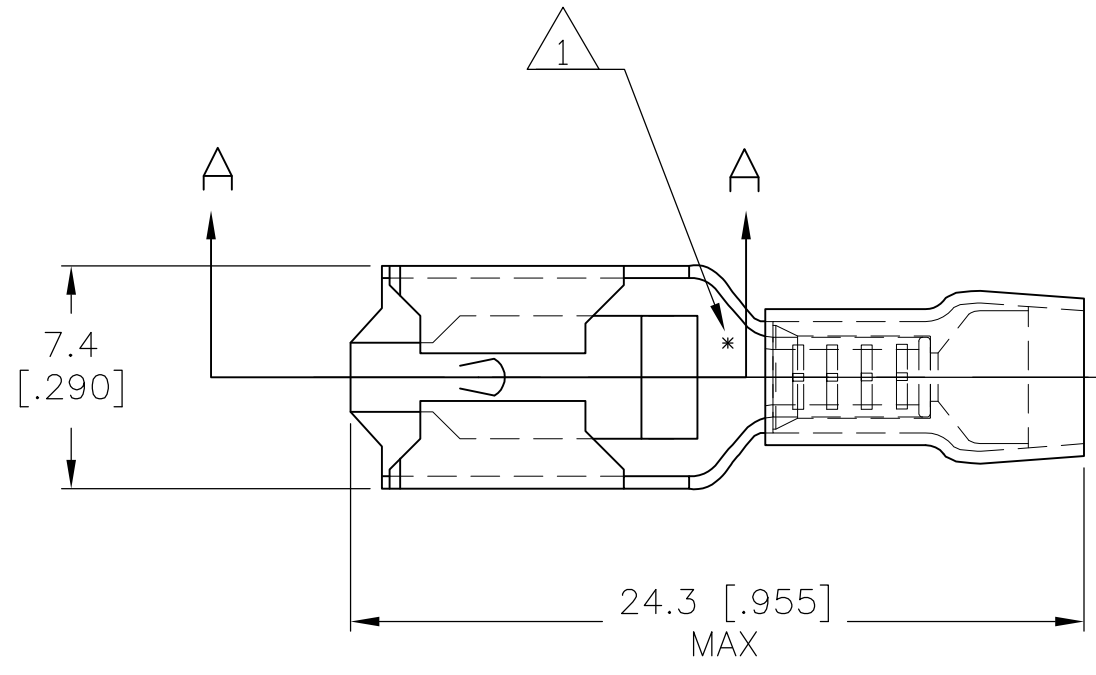


THIS DRAWING IS UNPUBLISHED. RELEASED FOR PUBLICATION
 © COPYRIGHT - By - ALL RIGHTS RESERVED.

LOC	DIST	REVISIONS					
		P	LTR	DESCRIPTION	DATE	DWN	APVD
G	02		E5	REVISED PER ECO-12-016518	13SEP12	KH	DR



SECTION A-A

- △1 ASTERISK * FOR PHOS BRONZE ITEMS ONLY.
- △2 TAPE-MOUNTED VERSION OF 165536-1
- △3 BODY - BRASS PER ASTM B36
SLEEVE - COPPER PER ASTM B152
INSULATION - NYLON
- △4 BODY - TIN PLATE PER ASTM B545
SLEEVE - TIN PLATE PER ASTM B545
INSULATION - COLOR - BLUE
- 5 90°C MAX OPERATING TEMP
- 6 300 VOLT MAX
- 7 NOTE DELETED.

FINISH	MATERIAL	PART No.
△2 TIN PLATED	BRASS	2-165536-2
TIN PLATED	PHOS BRONZE △1	165536-2
TIN PLATED	BRASS	165536-1

THIS DRAWING IS A CONTROLLED DOCUMENT.		DWN jr_ruth 15JAN07	TE Connectivity			
DIMENSIONS: mm [INCHES]		CHK T MICHELUTTI 15JAN07				
TOLERANCES UNLESS OTHERWISE SPECIFIED:		APVD T MICHELUTTI 15JAN07	NAME RECEPTACLE, 6.35 [.250] SERIES, POSITIVE-LOCK, PIDG, WIRE SIZE: 1.5-2.5MM2			
0 PLC ± - 1 PLC ± - 2 PLC ± - 3 PLC ± 0.25 [.010] 4 PLC ± - ANGLES ± 5°		PRODUCT SPEC -	APPLICATION SPEC -			
MATERIAL △3	FINISH △4	WEIGHT -	SIZE A3	CAGE CODE 00779	DRAWING NO C-165536	RESTRICTED TO -
CUSTOMER DRAWING			SCALE 4:1	SHEET 1 OF 1	REV E5	

Mouser Electronics

Authorized Distributor

Click to View Pricing, Inventory, Delivery & Lifecycle Information:

[TE Connectivity:](#)

[165536-1](#)