

---

**Ultra-low current 2.4 V precision analog temperature sensor**

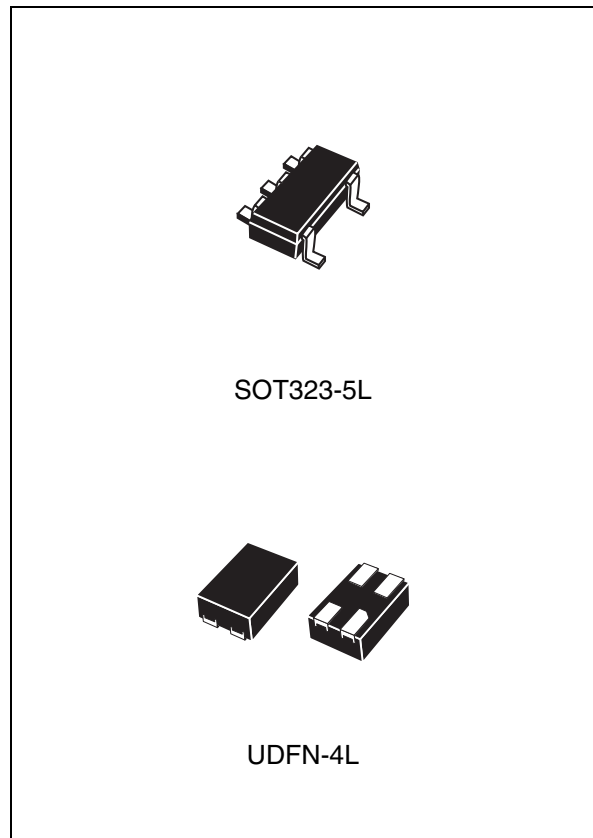
---

**Features**

- Precision analog voltage output temperature sensor
- $\pm 1.5$  °C maximum temperature accuracy at 25 °C ( $\pm 0.5$  °C typical)
- Ultra-low quiescent supply current: 4.8  $\mu$ A (typ) and 8.0  $\mu$ A (max)
- Operating voltage range: 2.4 V to 5.5 V
- Operating temperature range:
  - 55 °C to 130 °C (grade 7)
  - 40 °C to 85 °C (grade 9)
- SOT323-5L 5-lead package
- UDFN-4L 4-lead package

**Applications**

- Smartphones
- Multimedia PDA devices
- GPS devices
- Portable medical instruments
- Voltage-controlled crystal oscillator temperature monitors
- RF power transistor monitor



---

# Contents

1	Description .....	5
2	Transfer function .....	6
3	Maximum ratings .....	8
4	DC and AC characteristics .....	9
5	Capacitive load .....	10
6	Typical operating characteristics .....	11
7	Package mechanical data .....	12
8	Part numbering .....	17
9	Revision history .....	18

## List of tables

Table 1.	Signal names . . . . .	5
Table 2.	First order equations optimized for different temperature ranges. . . . .	6
Table 3.	Second order parabolic equation ( $V_{CC} = 2.7\text{ V}$ ) . . . . .	7
Table 4.	Second order parabolic equation for operation over the full voltage range ( $V_{CC} = 2.4\text{ V to }5.5\text{ V}$ ) . . . . .	7
Table 5.	Absolute maximum ratings . . . . .	8
Table 6.	DC and AC characteristics . . . . .	9
Table 7.	Resistor/capacitor combinations for the filter network . . . . .	10
Table 8.	SOT323-5L – 5-lead small outline transistor package mechanical data. . . . .	13
Table 9.	UDFN-4L – 4-lead (1.00 mm x 1.30 mm) package mechanical data . . . . .	14
Table 10.	Carrier tape dimensions for SOT323-5L and UDFN-4L packages . . . . .	15
Table 11.	Reel dimensions for 8 mm carrier tape - SOT323-5L and UDFN-4L packages . . . . .	16
Table 12.	Ordering information scheme . . . . .	17
Table 13.	Marking description. . . . .	17
Table 14.	Document revision history . . . . .	18

## List of figures

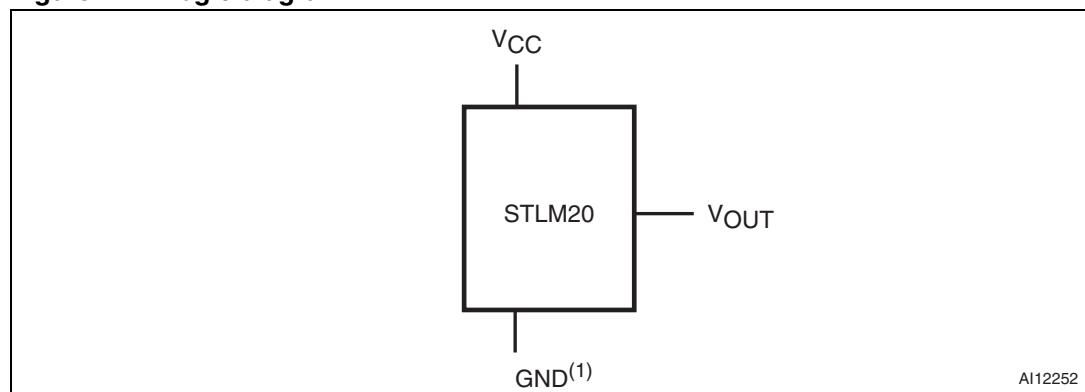
Figure 1.	Logic diagram . . . . .	5
Figure 2.	Connections (top view) . . . . .	5
Figure 3.	Filter network for noisy environments or capacitive loads > 300 pF. . . . .	10
Figure 4.	$V_{OUT}$ vs. temperature . . . . .	11
Figure 5.	SOT323-5L – 5-lead small outline transistor package outline . . . . .	13
Figure 6.	UDFN-4L – 4-lead (1.00 mm x 1.30 mm) package outline . . . . .	14
Figure 7.	Carrier tape for SOT323-5L and UDFN-4L packages. . . . .	15
Figure 8.	Reel schematic . . . . .	16

# 1 Description

The STLM20 is a precision analog output temperature sensor for low current applications where maximizing battery life is important. It operates over a  $-55\text{ }^{\circ}\text{C}$  to  $130\text{ }^{\circ}\text{C}$  (grade 7) or  $-40\text{ }^{\circ}\text{C}$  to  $85\text{ }^{\circ}\text{C}$  (grade 9) temperature range. The power supply operating range is 2.4 V to 5.5 V. The maximum temperature accuracy of the STLM20 is  $\pm 1.5\text{ }^{\circ}\text{C}$  ( $\pm 0.5\text{ }^{\circ}\text{C}$  typ) at an ambient temperature of  $25\text{ }^{\circ}\text{C}$  and  $V_{CC}$  of 2.7 V. The temperature error increases linearly and reaches a maximum of  $\pm 2.5\text{ }^{\circ}\text{C}$  at the temperature range extremes. The temperature range is affected by the power supply voltage. For the temperature grade 7 device, a power supply voltage of 2.7 V to 5.5 V, the temperature range extremes are  $+130\text{ }^{\circ}\text{C}$  and  $-55\text{ }^{\circ}\text{C}$  (decreasing the power supply voltage from 2.7 V to 2.4 V changes the low end of the operating temperature range from  $-55\text{ }^{\circ}\text{C}$  to  $-30\text{ }^{\circ}\text{C}$ , while the positive remains at  $+130\text{ }^{\circ}\text{C}$ ).

The STLM20 has a maximum quiescent supply current of  $8\text{ }\mu\text{A}$ . Therefore, self-heating is negligible.

**Figure 1. Logic diagram**

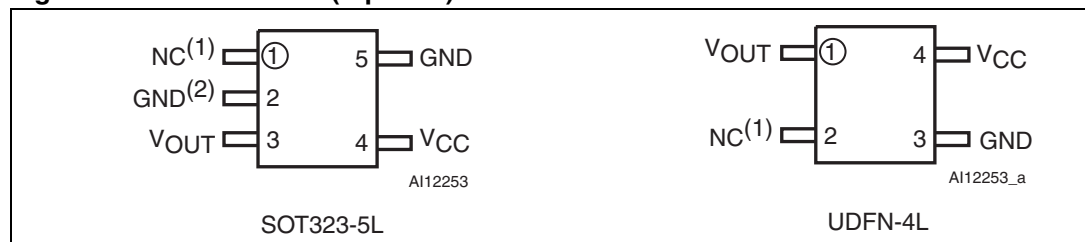


1. Pin 2 GND may be grounded or left floating (SOT323-5L only). For optimum thermal conductivity to the PC board ground plane, it should be grounded.

**Table 1. Signal names**

$V_{CC}$	Supply voltage
GND	Ground
$V_{OUT}$	Output voltage
NC	No connect

**Figure 2. Connections (top view)**



1. Pin 1 NC should be left floating or grounded.
2. Pin 2 GND may be grounded or left floating. For optimum thermal conductivity to the PC board ground plane, it should be grounded.

## 2 Transfer function

The STLM20's transfer function can be described in different ways, with varying levels of precision. A simple linear transfer function, with good accuracy near 25 °C is expressed as:

### Equation 1 (first order linear equation)

$$V_O = (-11.69\text{mV}/^\circ\text{C}) \times T + 1.8663\text{V}$$

Over the specified operating temperature range, the best accuracy can be obtained by using the parabolic transfer function:

### Equation 2 (second order parabolic equation)

$$V_O = (-3.88 \times 10^{-6} \times T^2) + (-1.15 \times 10^{-2} \times T) + 1.8639$$

and solving for T:

$$T = -1481.96 + \sqrt{2.1962 \times 10^6 + \frac{(1.8639 - V_O)}{3.88 \times 10^{-6}}}$$

The best fit linear transfer function for many popular temperature ranges was calculated in [Table 2](#), where the error introduced by the linear transfer function increases with wider temperature ranges.

**Table 2. First order equations optimized for different temperature ranges**

Temperature range		Linear equation $V_O =$	Maximum deviation of linear equation from parabolic equation (°C)
$T_{\min}$ (°C)	$T_{\max}$ (°C)		
-55	130	$-11.79 \text{ mV}/^\circ\text{C} * T + 1.8528 \text{ V}$	$\pm 1.41$
-40	110	$-11.77 \text{ mV}/^\circ\text{C} * T + 1.8577 \text{ V}$	$\pm 0.93$
-30	100	$-11.77 \text{ mV}/^\circ\text{C} * T + 1.8605 \text{ V}$	$\pm 0.70$
-40	85	$-11.67 \text{ mV}/^\circ\text{C} * T + 1.8583 \text{ V}$	$\pm 0.65$
-10	65	$-11.71 \text{ mV}/^\circ\text{C} * T + 1.8641 \text{ V}$	$\pm 0.23$
35	45	$-11.81 \text{ mV}/^\circ\text{C} * T + 1.8701 \text{ V}$	$\pm 0.004$
20	30	$-11.69 \text{ mV}/^\circ\text{C} * T + 1.8663 \text{ V}$	$\pm 0.004$

**Table 3. Second order parabolic equation ( $V_{CC} = 2.7\text{ V}$ )**

Parameter	Conditions	Min	Typ	Max	Unit
Temperature error based on: $V_{OUT} = (-3.88 \times 10^{-6} \times T^2) + (-1.15 \times 10^{-2} \times T) + 1.8639$ where T is the temperature	$T_A = -55\text{ °C}$	2.457	2.485	2.512	V
	$T_A = -40\text{ °C}$	2.292	2.318	2.343	
	$T_A = -30\text{ °C}$	2.181	2.205	2.230	
	$T_A = -20\text{ °C}$	2.069	2.092	2.116	
	$T_A = 0\text{ °C}$	1.842	1.864	1.886	
	$T_A = 25\text{ °C}$	1.556	1.574	1.592	
	$T_A = 50\text{ °C}$	1.255	1.279	1.303	
	$T_A = 85\text{ °C}$	0.833	0.859	0.884	
	$T_A = 130\text{ °C}$	0.272	0.303	0.335	

**Table 4. Second order parabolic equation for operation over the full voltage range ( $V_{CC} = 2.4\text{ V to }5.5\text{ V}$ )**

Parameter <sup>(1)</sup>	Conditions	Min	Max	Unit
Temperature error based on: $V_{OUT} = (-3.88 \times 10^{-6} \times T^2) + (-1.15 \times 10^{-2} \times T) + 1.8639$ , where T is the temperature	$T_A = -55\text{ °C}^{(2)(3)}$	2.457	2.531	V
	$T_A = -40\text{ °C}^{(2)}$	2.292	2.362	
	$T_A = -30\text{ °C}$	2.180	2.249	
	$T_A = -20\text{ °C}$	2.068	2.135	
	$T_A = 0\text{ °C}$	1.841	1.904	
	$T_A = 25\text{ °C}$	1.555	1.610	
	$T_A = 50\text{ °C}$	1.254	1.322	
	$T_A = 85\text{ °C}$	0.832	0.903	
	$T_A = 130\text{ °C}^{(3)}$	0.271	0.353	

1.  $V_{OUT}$  tolerance is  $\pm 4\%$  (temperature grade 9 only).
2. Valid for  $V_{CC}$  min = 2.7 V.
3. Valid for temperature grade 7 only.

### 3 Maximum ratings

Stressing the device above the rating listed in the absolute maximum ratings table may cause permanent damage to the device. These are stress ratings only and operation of the device at these or any other conditions above those indicated in the operating sections of this specification is not implied. Exposure to absolute maximum rating conditions for extended periods may affect device reliability.

**Table 5. Absolute maximum ratings**

Symbol	Parameter	Value	Unit	
$T_{STG}$	Storage temperature	-65 to +150	°C	
$T_{SLD}^{(1)}$	Lead solder temperature for 10 seconds	260	°C	
$V_O$	Output voltage	-0.3 to $V_{CC} + 0.3$	V	
$V_{CC}$	Supply voltage	-0.2 to 6.5	V	
$I_O$	Output current	10	mA	
$T_{J(max)}$	Maximum junction temperature	150	°C	
$\theta_{JA}$	Thermal resistance	SOT323-5L	331.4	°C/W
		UDFN-4L	160.2	°C/W
$T_A^{(2)}$	Ambient operating temperature	Grade 7	-55 to 130	°C
		Grade 9	-40 to 85	°C

1. Reflow at peak temperature of 260 °C. The time above 255 °C must not exceed 30 seconds.
2. Grade 7: STLM20W87F  
Grade 9: STLM20DD9F



## 4 DC and AC characteristics

This section summarizes the DC and AC characteristics of the device. The parameters in the DC and AC characteristics table that follows are derived from tests performed under the test conditions. Designers should check that the operating conditions in their circuit match the operating conditions when relying on the quoted parameters.

**Table 6. DC and AC characteristics**

Sym	Description	Test condition <sup>(1)</sup>	Min	Typ <sup>(2)</sup>	Max	Unit
V <sub>CC</sub>	Supply voltage	T <sub>A</sub> = -30 °C to 130 °C	2.4		5.5	V
		T <sub>A</sub> = -55 °C to 130 °C or -40 °C to 85 °C	2.7		5.5	V
V <sub>O</sub>	Output voltage	T <sub>A</sub> = 0 °C		1.8639		V
	Second order parabolic equation Temperature to voltage error <sup>(3)</sup> V <sub>O</sub> = (-3.88 × 10 <sup>-6</sup> * T <sup>2</sup> ) + (-1.15 × 10 <sup>-2</sup> * T) + 1.8639 V	T <sub>A</sub> = 125 °C to 130 °C			±2.5	°C
		T <sub>A</sub> = 80 °C to 85 °C		±1.00	±2.1	°C
		T <sub>A</sub> = 25 °C to 30 °C		±0.5	±1.5	°C
		T <sub>A</sub> = 0 °C		±0.75	±1.9	°C
		T <sub>A</sub> = -40 °C			±2.3	°C
		T <sub>A</sub> = -55 °C			±2.5	°C
I <sub>Q</sub>	Quiescent current	2.4 V ≤ V <sub>CC</sub> ≤ 5.5 V		4.8	8	μA
	Sensor gain (temperature sensitivity or average slope), V <sub>O</sub> = -11.77 mV/°C * T + 1.860 V	-30 °C ≤ T <sub>A</sub> ≤ 100 °C	-11.4	-11.77	-12.2	mV/°C
	Non-linearity	-20 °C ≤ T <sub>A</sub> ≤ 80 °C		±0.4		%
ΔI <sub>Q</sub>	Change of quiescent current	2.4 V ≤ V <sub>CC</sub> ≤ 5.5 V		0.7		μA
T <sub>C</sub> V <sub>O</sub>	Temperature coefficient of quiescent current			-11		nA/°C
I <sub>SD</sub>	Shutdown current	V <sub>CC</sub> ≤ 0.8 V		0.02		μA
Z <sub>O</sub>	Output impedance	0 μA ≤ I <sub>L</sub> ≤ 16 μA <sup>(4)(5)</sup>			160	Ω
RegL	Load regulation <sup>(6)</sup>				-2.5	mV
RegI1	Line regulation	2.4 V ≤ V <sub>CC</sub> ≤ 5.0 V			3.3	mV/V
RegI2		5.0 V ≤ V <sub>CC</sub> ≤ 5.5 V			11	mV

- Valid for ambient operating temperature: T<sub>A</sub> = -55 to 130 °C or T<sub>A</sub> = -40 to 85 °C; V<sub>CC</sub> = 2.7 V (except where noted).
- T<sub>J</sub> = T<sub>A</sub> = 25 °C, unless otherwise noted under test condition.
- Accuracy is defined as the error between the measured and calculated output voltage at specified conditions of voltage, current, and temperature.
- Positive load currents flow out of the device (sourcing) and can typically be 16 μA. For negative load currents (sinking), the device can sink less than 1 μA.
- Over the supply range of 2.4 to 5.5 V.
- Measured at constant junction temperature, with pulse testing and low duty cycle. Output changes due to heating may be calculated by multiplying internal dissipation by thermal resistance.

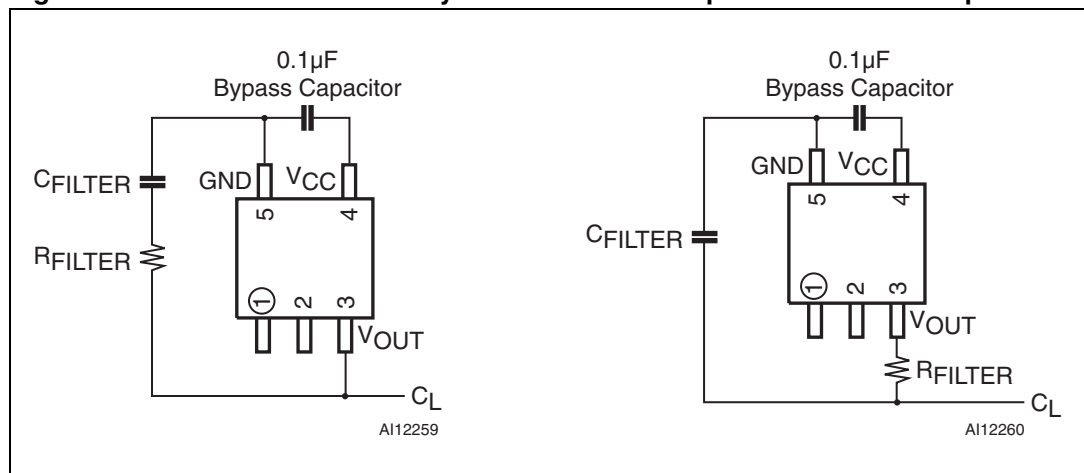
## 5 Capacitive load

The STLM20 will handle capacitive loads of up to 300 pF. Over the specified temperature range, the STLM20 has a maximum output impedance of 160 Ω.

In a noisy environment, it may be advisable to add some filtering to minimize noise in the output voltage. A 0.1 μF capacitor added between the supply voltage and ground is recommended.

In an extremely noisy environment, it may be necessary to add a low-pass filter network to the output of the device. A 1 μF capacitor, in addition to the output impedance of the device, and a 200 Ω series resistor, will provide a low-pass filter that will pass the slow thermal time constant of the STLM20, while filtering the higher frequency noise.

**Figure 3. Filter network for noisy environments or capacitive loads > 300 pF**



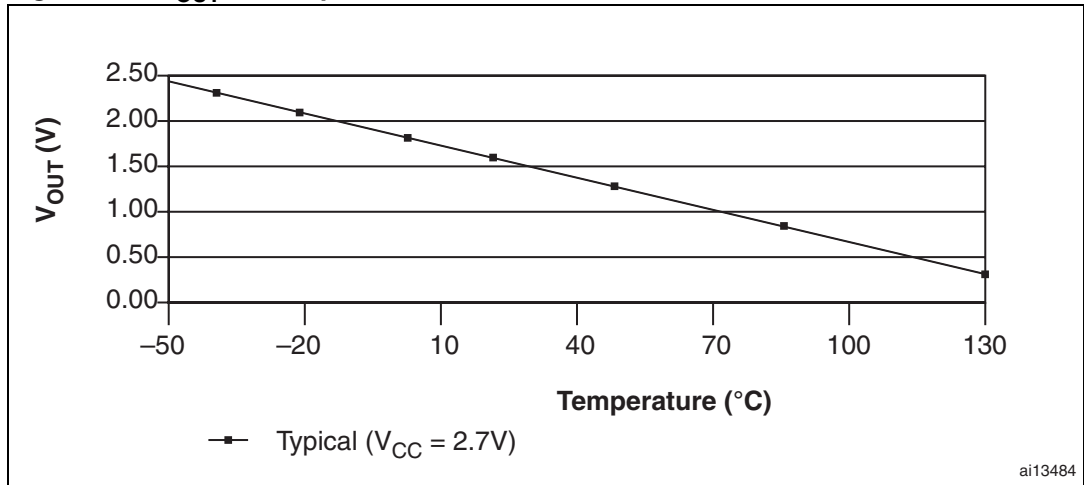
**Table 7. Resistor/capacitor combinations for the filter network**

$R_{\text{FILTER}}$	$C_{\text{FILTER}}$
200 Ω	1 μF
470 Ω	0.1 μF
680 Ω	0.01 μF
1000 Ω	1000 pF
10 kΩ	100 pF
100 kΩ	10 pF

## 6 Typical operating characteristics

The graph shown in [Figure 4](#) represents  $V_{OUT}$  according to temperature.

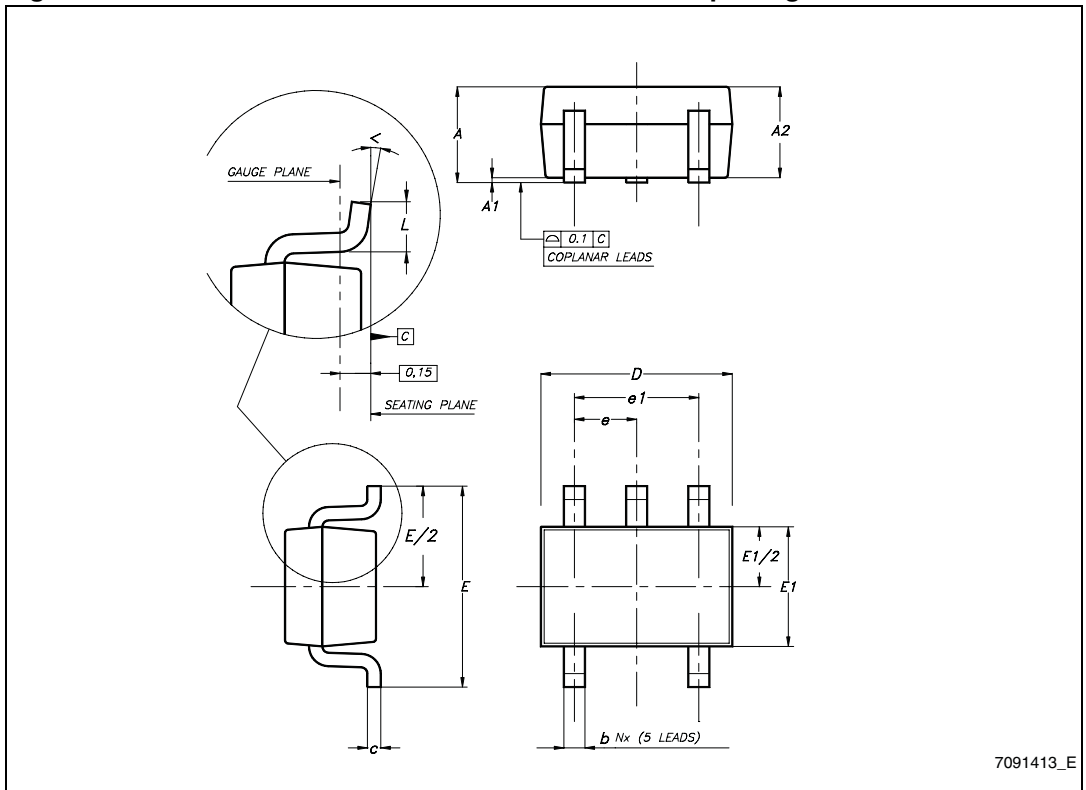
**Figure 4.**  $V_{OUT}$  vs. temperature



## 7 Package mechanical data

In order to meet environmental requirements, ST offers these devices in different grades of ECOPACK<sup>®</sup> packages, depending on their level of environmental compliance. ECOPACK<sup>®</sup> specifications, grade definitions and product status are available at: [www.st.com](http://www.st.com). ECOPACK<sup>®</sup> is an ST trademark.

Figure 5. SOT323-5L – 5-lead small outline transistor package outline

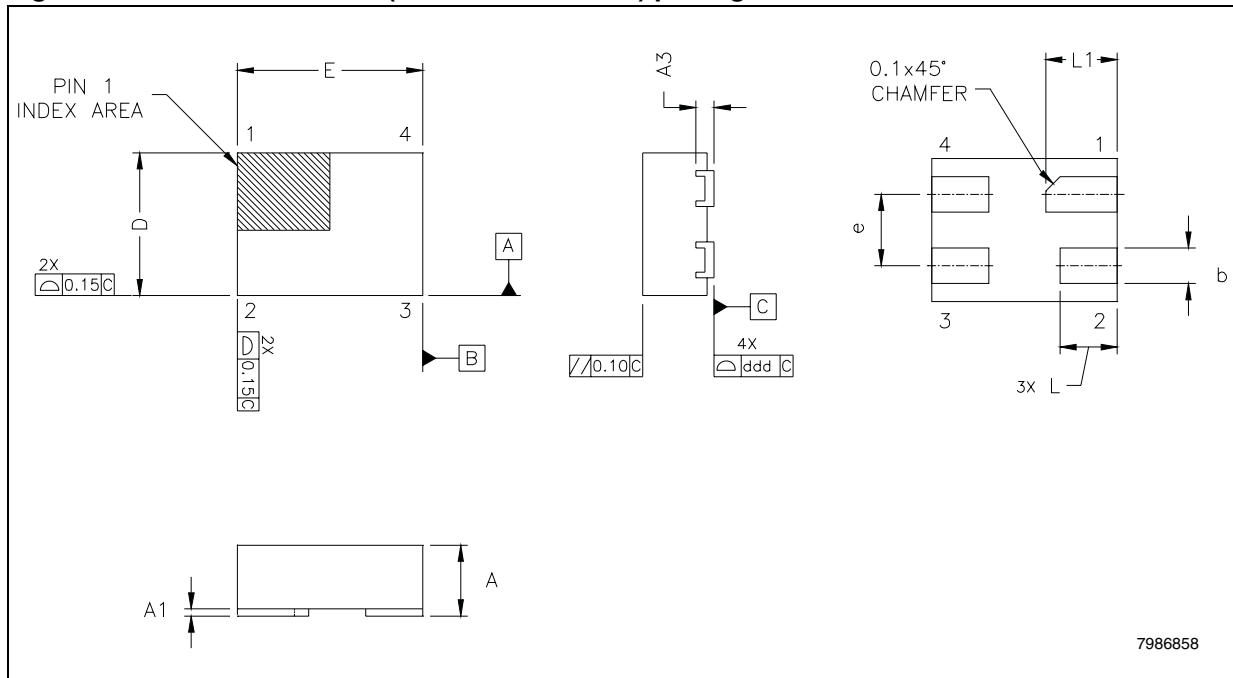


1. Drawing is not to scale.

Table 8. SOT323-5L – 5-lead small outline transistor package mechanical data

Symbol	mm			inches		
	Typ	Min	Max	Typ	Min	Max
A	–	0.80	1.10	–	0.031	0.043
A1	–	0	0.10	–	0.000	0.004
A2	0.90	0.80	1.00	0.035	0.031	0.039
b	–	0.15	0.30	–	0.006	0.012
c	–	0.10	0.22	–	0.004	0.009
D	2.00	1.80	2.20	0.079	0.071	0.087
E	2.10	1.80	2.40	0.083	0.071	0.094
E1	1.25	1.15	1.35	0.049	0.045	0.053
e	0.65	–	–	0.026	–	–
e1	1.30	–	–	0.051	–	–
L	0.36	0.26	0.46	0.014	0.010	0.018
$\alpha$	–	0°	8°	–	0°	8°

Figure 6. UDFN-4L – 4-lead (1.00 mm x 1.30 mm) package outline



Note: Drawing is not to scale.

Table 9. UDFN-4L – 4-lead (1.00 mm x 1.30 mm) package mechanical data

Symbol	mm			inches		
	Min	Typ	Max	Min	Typ	Max
A	0.45	0.50	0.55	0.018	0.020	0.022
A1	0	0.025	0.05	0	0.001	0.002
A3	0.119	0.127	0.177	0.0046	0.0050	0.0069
b	0.20	0.25	0.30	0.008	0.010	0.012
D	0.95	1.00	1.05	0.037	0.039	0.041
E	1.25	1.30	1.35	0.049	0.051	0.053
e	0.45	0.50	0.55	0.018	0.020	0.022
L	0.35	0.40	0.45	0.014	0.016	0.018
L1	0.45	0.50	0.55	0.018	0.020	0.022
ddd	0	0.04	0.08	0	0.0016	0.0031

Figure 7. Carrier tape for SOT323-5L and UDFN-4L packages

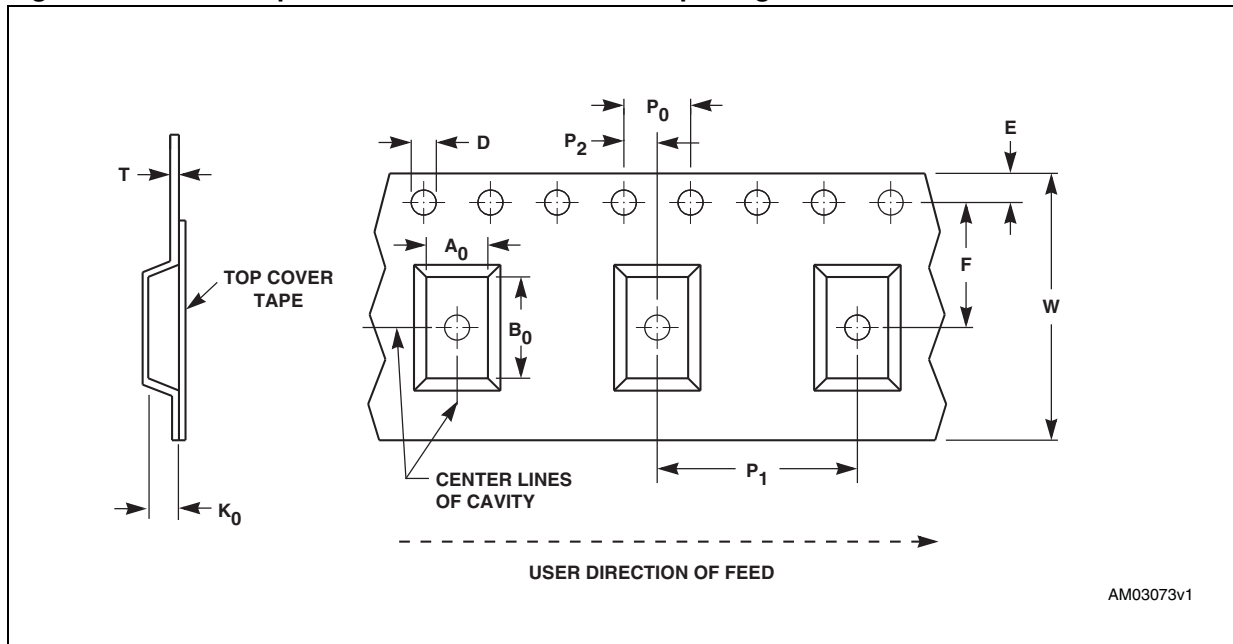


Table 10. Carrier tape dimensions for SOT323-5L and UDFN-4L packages

Package	W	D	E	P <sub>0</sub>	P <sub>2</sub>	F	A <sub>0</sub>	B <sub>0</sub>	K <sub>0</sub>	P <sub>1</sub>	T	Unit	Bulk Qty
SOT323-5L	8.00 +0.30 -0.10	1.50 +0.10/ -0.00	1.75 ±0.10	4.00 ±0.10	2.00 ±0.10	3.50 ±0.05	2.25 ±0.10	2.40 ±0.10	1.22 ±0.10	4.00 ±0.10	0.30 ±0.05	mm	3000
UDFN-4L	8.00 +0.30 -0.10	1.50 +0.10/ -0.00	1.75 ±0.10	4.00 ±0.10	2.00 ±0.10	3.50 ±0.05	1.25 ±0.10	1.55 ±0.10	0.65 ±0.05	4.00 ±0.10	0.250 ±0.05	mm	3000

Figure 8. Reel schematic

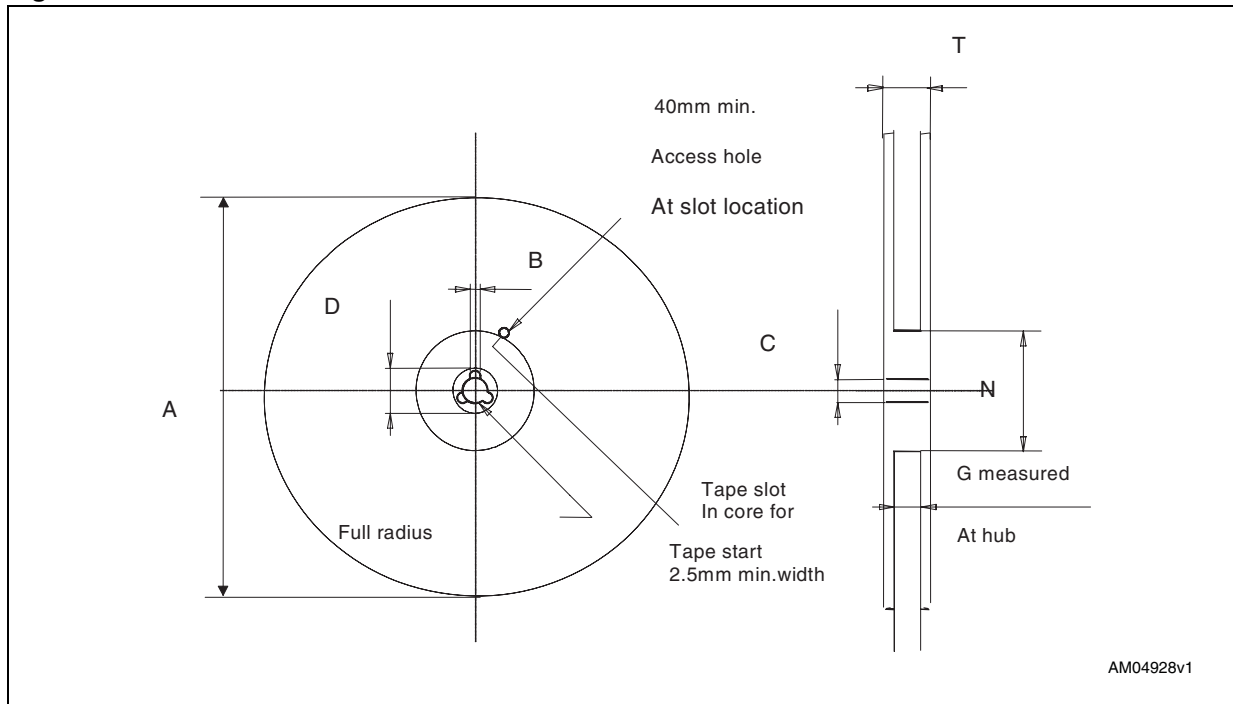


Table 11. Reel dimensions for 8 mm carrier tape - SOT323-5L and UDFN-4L packages

A (max)	B (min)	C	D (min)	N (min)	G	T (max)
180 mm (7-inch)	1.5 mm	13 mm ± 0.2 mm	20.2 mm	60 mm	8.4 mm + 2/-0 mm	14.4 mm

Note: The dimensions given in [Table 11](#) incorporate tolerances that cover all variations on critical parameters.



## 8 Part numbering

**Table 12. Ordering information scheme**

Example:	STLM20	DD	9	F
<b>Device type</b>				
STLM20				
<b>Package</b>				
W8 = SOT323-5L <sup>(1)(2)</sup>				
DD= UDFN-4L - ultra-thin DFN 4-lead <sup>(3)</sup>				
<b>Temperature range</b>				
7 = -55 to 130°C				
9 = -40 to 85°C				
<b>Shipping method</b>				
F = ECOPACK® package, tape & reel				

1. Available in temperature grade 7 (-55 to 130 °C) only
2. SOT323-5L also referred to as SC70-5L
3. Available in temperature grade 9 (-40 to 85 °C) only

**Table 13. Marking description**

Part number	Package	Marking
STLM20W87F	SOT323-5L	M20
STLM20DD9F	UDFN-4L	20

For other options, or for more information on any aspect of this device, please contact the ST sales office nearest you.

## 9 Revision history

**Table 14. Document revision history**

Date	Revision	Changes
28-Jun-2006	1	Initial release.
19-Jul-2006	2	Added <a href="#">Table 13: Marking description</a>
28-Aug-2006	3	Added a footnote concerning package availability in <a href="#">Features on page 1</a> and to <a href="#">Table 12</a> and <a href="#">Table 13</a> ; updated package mechanical data in <a href="#">Table 9</a>
05-Sep-2006	4	Amended text in the <a href="#">Features on page 1</a> , <a href="#">Section 1: Description</a> , <a href="#">Section 2: Transfer function</a> , <a href="#">Table 6</a> , and <a href="#">Table 12</a> to elucidate that two packages exist each with specific temperature ranges: SOT323-5 (SC70-5) 5-lead package (–55 to 130 °C) and UDFN 4-lead package (–40 to 85 °C)
25-Sep-2006	5	Updated operating temperature ranges (now 7 and 9); updated <a href="#">Table 6: DC and AC characteristics</a>
10-Oct-2006	6	<a href="#">Table 3: Second order parabolic equation (<math>V_{CC} = 2.7 V</math>)</a> and <a href="#">Table 4: Second order parabolic equation for operation over the full voltage range (<math>V_{CC} = 2.4 V</math> to <math>5.5 V</math>)</a> added. <a href="#">Section 6: Typical operating characteristics</a> added. $T_A$ added to <a href="#">Table 5: Absolute maximum ratings</a> .
04-Dec-2006	7	Document status updated to full datasheet; updated text in the title of <a href="#">Table 4: Second order parabolic equation for operation over the full voltage range (<math>V_{CC} = 2.4 V</math> to <math>5.5 V</math>)</a> ; added footnotes regarding temperature ranges in <a href="#">Table 12: Ordering information scheme</a> .
08-Feb-2007	8	Added thermal resistance in <a href="#">Table 5: Absolute maximum ratings</a> .
09-May-2007	9	Modified <a href="#">Equation 1, 2</a> .
26-Nov-2007	10	Updated footnote 2 in <a href="#">Table 5</a> ; minor text updates.
07-Nov-2008	11	Updated <a href="#">Figure 6: UDFN-4L – 4-lead (1.00 mm x 1.30 mm) package outline</a> to reflect location of pin 1 with respect to the orientation of the topside marking; updated <a href="#">Figure 5</a> , <a href="#">Table 5</a> , <a href="#">8</a> , <a href="#">12</a> .
10-Sep-2009	12	Updated <a href="#">Table 5</a> , text in <a href="#">Section 7: Package mechanical data</a> ; added tape and reel specifications ( <a href="#">Figure 7</a> and <a href="#">Table 10</a> ); reformatted document.
09-Jul-2010	13	Updated <a href="#">Features</a> , <a href="#">Section 1: Description</a> , <a href="#">Section 2: Transfer function</a> , <a href="#">Table 5</a> , <a href="#">6</a> , <a href="#">12</a> ; added reel information ( <a href="#">Figure 8</a> , <a href="#">Table 11</a> ); removed references to SC70-5L package; minor textual changes.

**Please Read Carefully:**

Information in this document is provided solely in connection with ST products. STMicroelectronics NV and its subsidiaries ("ST") reserve the right to make changes, corrections, modifications or improvements, to this document, and the products and services described herein at any time, without notice.

All ST products are sold pursuant to ST's terms and conditions of sale.

Purchasers are solely responsible for the choice, selection and use of the ST products and services described herein, and ST assumes no liability whatsoever relating to the choice, selection or use of the ST products and services described herein.

No license, express or implied, by estoppel or otherwise, to any intellectual property rights is granted under this document. If any part of this document refers to any third party products or services it shall not be deemed a license grant by ST for the use of such third party products or services, or any intellectual property contained therein or considered as a warranty covering the use in any manner whatsoever of such third party products or services or any intellectual property contained therein.

**UNLESS OTHERWISE SET FORTH IN ST'S TERMS AND CONDITIONS OF SALE ST DISCLAIMS ANY EXPRESS OR IMPLIED WARRANTY WITH RESPECT TO THE USE AND/OR SALE OF ST PRODUCTS INCLUDING WITHOUT LIMITATION IMPLIED WARRANTIES OF MERCHANTABILITY, FITNESS FOR A PARTICULAR PURPOSE (AND THEIR EQUIVALENTS UNDER THE LAWS OF ANY JURISDICTION), OR INFRINGEMENT OF ANY PATENT, COPYRIGHT OR OTHER INTELLECTUAL PROPERTY RIGHT.**

**UNLESS EXPRESSLY APPROVED IN WRITING BY AN AUTHORIZED ST REPRESENTATIVE, ST PRODUCTS ARE NOT RECOMMENDED, AUTHORIZED OR WARRANTED FOR USE IN MILITARY, AIR CRAFT, SPACE, LIFE SAVING, OR LIFE SUSTAINING APPLICATIONS, NOR IN PRODUCTS OR SYSTEMS WHERE FAILURE OR MALFUNCTION MAY RESULT IN PERSONAL INJURY, DEATH, OR SEVERE PROPERTY OR ENVIRONMENTAL DAMAGE. ST PRODUCTS WHICH ARE NOT SPECIFIED AS "AUTOMOTIVE GRADE" MAY ONLY BE USED IN AUTOMOTIVE APPLICATIONS AT USER'S OWN RISK.**

Resale of ST products with provisions different from the statements and/or technical features set forth in this document shall immediately void any warranty granted by ST for the ST product or service described herein and shall not create or extend in any manner whatsoever, any liability of ST.

ST and the ST logo are trademarks or registered trademarks of ST in various countries.

Information in this document supersedes and replaces all information previously supplied.

The ST logo is a registered trademark of STMicroelectronics. All other names are the property of their respective owners.

© 2010 STMicroelectronics - All rights reserved

STMicroelectronics group of companies

Australia - Belgium - Brazil - Canada - China - Czech Republic - Finland - France - Germany - Hong Kong - India - Israel - Italy - Japan - Malaysia - Malta - Morocco - Philippines - Singapore - Spain - Sweden - Switzerland - United Kingdom - United States of America

[www.st.com](http://www.st.com)

# Mouser Electronics

Authorized Distributor

Click to View Pricing, Inventory, Delivery & Lifecycle Information:

[STMicroelectronics:](#)

[STLM20W87F](#) [STLM20DD9F](#)