

## Trisil™ for telecom equipment protection

### Features

- Bidirectional crowbar protection
- Voltage range from 8 V to 400 V
- Low capacitance from 20 pF to 45 pF @ 50 V
- Low leakage current :  $I_R = 2 \mu\text{A max}$
- Holding current:  $I_H = 150 \text{ mA min}$
- Repetitive peak pulse current:  
 $I_{PP} = 100 \text{ A (10/1000 } \mu\text{s)}$

### Main applications

Any sensitive equipment requiring protection against lightning strikes and AC power faults.

These devices are dedicated to central office protection as they comply with the most stressful standards.

Their Low Capacitances make them suitable for xDSL.

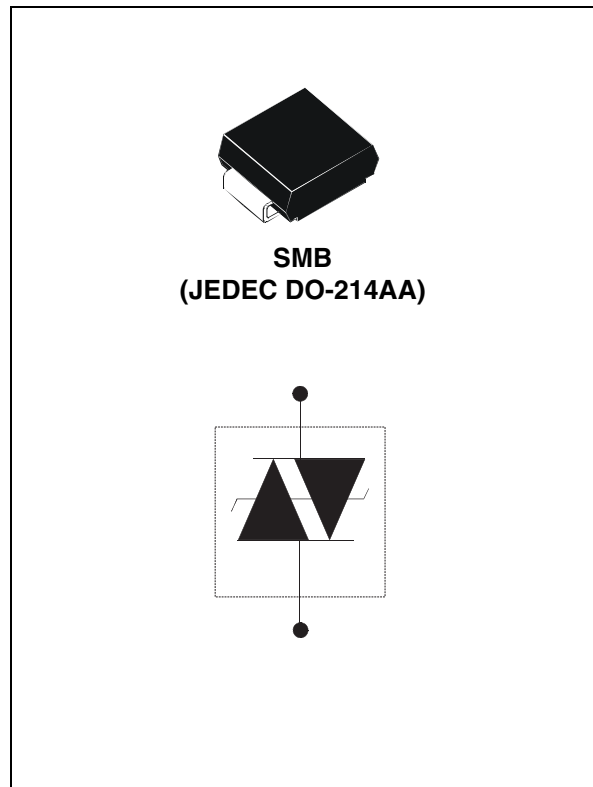
### Description

The SMP100LC is a series of low capacitance transient surge arrestors designed for the protection of high data rate communication equipment. Its low capacitance avoids any distortion of the signal and is compatible with digital transmission line cards (xDSL, ISDN...).

SMP100LC series tested and confirmed compatible with Cooper Bussmann Telecom Circuit Protector TCP 1.25A.

The SMP100LC-xxx with the fuse TCP1.25A or TCP2A is compliant with Telcordia GR1089 (lightning and AC power fault tests), ITU-T K20/K21 (lightning and AC power fault tests), TIA/EIA-IS-968 (formerly FCC Part 68 lightning tests), UL60950 (AC power fault tests).

Moreover, the use of the TCP1.25A allows the SMP100LC-xxx to be safe for the 2nd level (B criteria) AC power fault tests.



### Order Code

Order code	Marking
SMP100LC-xxx	See <a href="#">Section 5 on page 11</a>

### Benefits

Trisils are not subject to ageing and provide a fail safe mode in short circuit for a better protection. They are used to help equipment to meet main standards such as UL60950, IEC950 / CSA C22.2 and UL1459. They have UL94 V0 approved resin. SMB package is JEDEC registered (DO-214AA). Trisils comply with the following standards GR-1089 Core, ITU-T-K20/K21, VDE0433, VDE0878, IEC61000-4-5 and FCC part 68.

# 1 Characteristics

**Table 1. Compliant with the following standards**

STANDARD	Peak Surge Voltage (V)	Waveform Voltage	Required peak current (A)	Current waveform	Minimum serial resistor to meet standard ( $\Omega$ )
GR-1089 Core First level	2500	2/10 $\mu$ s	500	2/10 $\mu$ s	0
	1000	10/1000 $\mu$ s	100	10/1000 $\mu$ s	0
GR-1089 Core Second level	5000	2/10 $\mu$ s	500	2/10 $\mu$ s	0
GR-1089 Core Intra-building	1500	2/10 $\mu$ s	100	2/10 $\mu$ s	0
ITU-T-K20/K21	6000	10/700 $\mu$ s	150	5/310 $\mu$ s	0
	1500		37.5		0
ITU-T-K20 (IEC61000-4-2)	8000	1/60 ns	ESD contact discharge		0
	15000		ESD air discharge		0
VDE0433	4000	10/700 $\mu$ s	100	5/310 $\mu$ s	0
	2000		50		0
VDE0878	4000	1.2/50 $\mu$ s	100	1/20 $\mu$ s	0
	2000		50		0
IEC61000-4-5	4000	10/700 $\mu$ s	100	5/310 $\mu$ s	0
	4000	1.2/50 $\mu$ s	100	8/20 $\mu$ s	0
FCC Part 68, lightning surge type A	1500	10/160 $\mu$ s	200	10/160 $\mu$ s	0
	800	10/560 $\mu$ s	100	10/560 $\mu$ s	0
FCC Part 68, lightning surge type B	1000	9/720 $\mu$ s	25	5/320 $\mu$ s	0

**Table 2. Absolute ratings ( $T_{amb} = 25^\circ C$ )**

Symbol	Parameter	Value	Unit	
$I_{PP}$	Repetitive peak pulse current (see <a href="#">Figure 1</a> )	10/1000 $\mu$ s	100	A
		8/20 $\mu$ s	400	
		10/560 $\mu$ s	140	
		5/310 $\mu$ s	150	
		10/160 $\mu$ s	200	
		1/20 $\mu$ s	400	
		2/10 $\mu$ s	500	
$I_{FS}$	Fail-safe mode : maximum current <sup>(1)</sup>	8/20 $\mu$ s	5	kA
$I_{TSM}$	Non repetitive surge peak on-state current (sinusoidal)	t = 0.2 s	24	A
		t = 1 s	15	
		t = 2 s	12	
		t = 15 mn	4	
$I^2t$	$I^2t$ value for fusing	t = 16.6 ms	20	A <sup>2</sup> s
		t = 20 ms	21	
$T_{stg}$	Storage temperature range	-55 to 150	$^\circ C$	
$T_j$	Maximum junction temperature	150	$^\circ C$	
$T_L$	Maximum lead temperature for soldering during 10 s.	260	$^\circ C$	

1. in fail safe mode, the device acts as a short circuit

**Table 3. Thermal Resistances**

Symbol	Parameter	Value	Unit
$R_{th(j-a)}$	Junction to ambient (with recommended footprint)	100	° C/W
$R_{th(j-l)}$	Junction to leads	20	° C/W

**Table 4. Electrical Characteristics ( $T_{amb} = 25^{\circ}C$ )**

Symbol	Parameter
$V_{RM}$	Stand-off voltage
$V_{BR}$	Breakdown voltage
$V_{BO}$	Breakover voltage
$I_{RM}$	Leakage current
$I_{PP}$	Peak pulse current
$I_{BO}$	Breakover current
$I_H$	Holding current
$V_R$	Continuous reverse voltage
$I_R$	Leakage current at $V_R$
C	Capacitance

Type	$I_{RM} @ V_{RM}$		$I_R @ V_R^{(1)}$		Dynamic $V_{BO}^{(2)}$	Static $V_{BO} @ I_{BO}^{(3)}$		$I_H^{(4)}$	$C^{(5)}$	$C^{(6)}$	
	max. $\mu A$	V	max. $\mu A$	V	max. V	max. V	max. mA	min. mA	typ. pF	typ. pF	
SMP100LC-8	2	6	5	8	25	15	800	150	50 (typ.)	NA	75
SMP100LC-25		22		25	40	35				NA	65
SMP100LC-35		32		35	55	55				NA	55
SMP100LC-65		55		65	85	85				45	90
SMP100LC-90		81		90	120	125				40	80
SMP100LC-120		108		120	155	150				35	75
SMP100LC-140		126		140	180	175				30	65
SMP100LC-160		144		160	205	200				30	65
SMP100LC-200		180		200	255	250				30	60
SMP100LC-230		207		230	295	285				30	60
SMP100LC-270		243		270	345	335				30	60
SMP100LC-320		290		320	400	390				25	50
SMP100LC-360		325		360	460	450				25	50
SMP100LC-400		360		400	540	530				20	45

- $I_R$  measured at  $V_R$  guarantee  $V_{BR} \min \geq V_R$
- See [Figure 15: Test circuit 1 for Dynamic  \$I\_{BO}\$  and  \$V\_{BO}\$  parameters](#)
- See [Figure 16: Test circuit 2 for  \$I\_{BO}\$  and  \$V\_{BO}\$  parameters](#)
- See [Figure 17: Test circuit 3 for dynamic  \$I\_H\$  parameter](#)
- $V_R = 50V$  bias,  $V_{RMS} = 1V$ ,  $F = 1MHz$
- $V_R = 2V$  bias,  $V_{RMS} = 1V$ ,  $F = 1MHz$

Figure 1. Pulse waveform

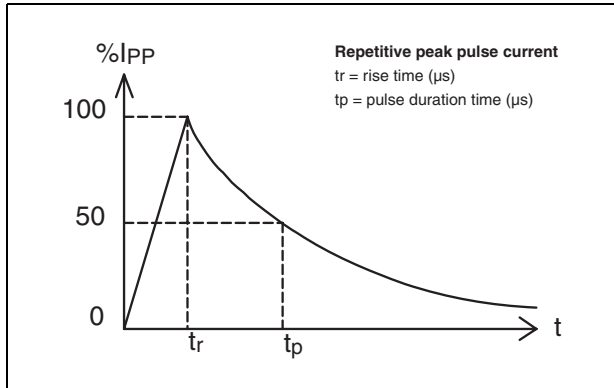


Figure 2. Non repetitive surge peak on-state current versus overload duration

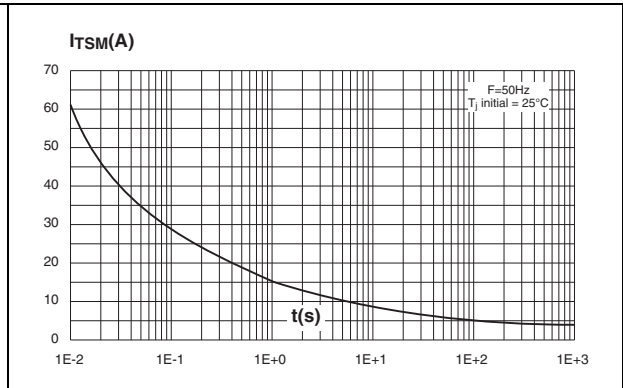


Figure 3. On-state voltage versus on-state current (typical values)

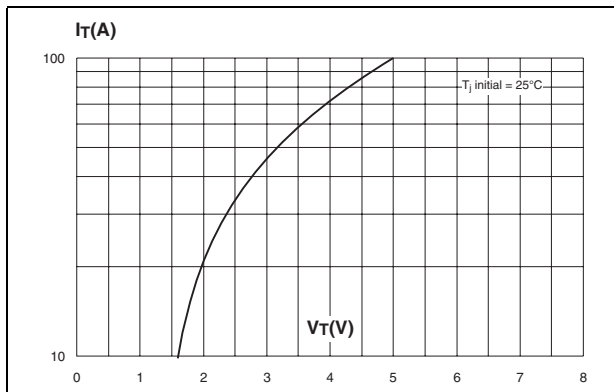


Figure 4. Relative variation of holding current versus junction temperature

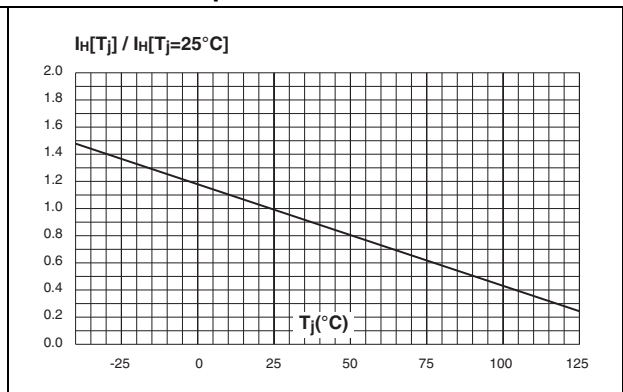


Figure 5. Relative variation of breakover voltage versus junction temperature

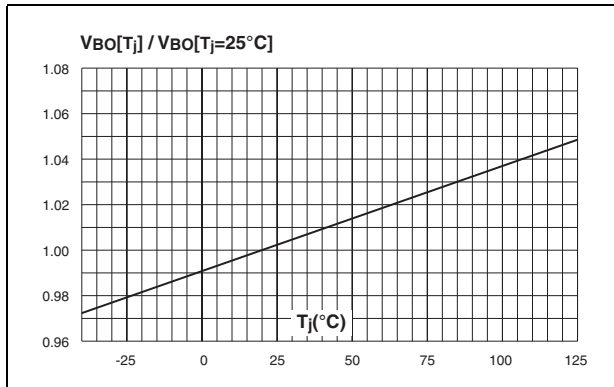
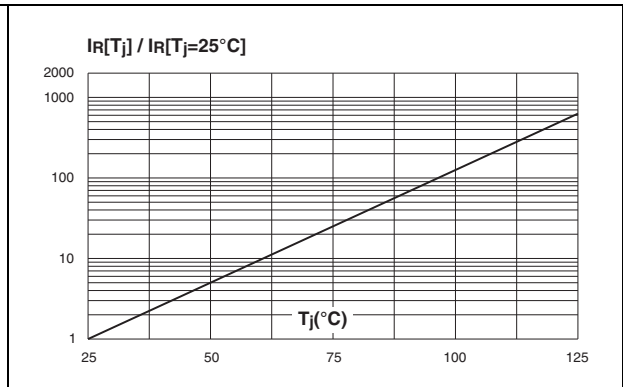
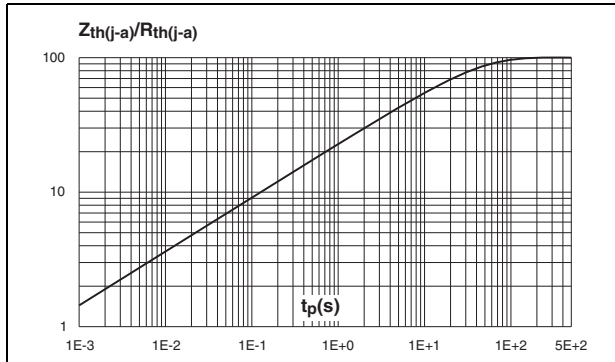


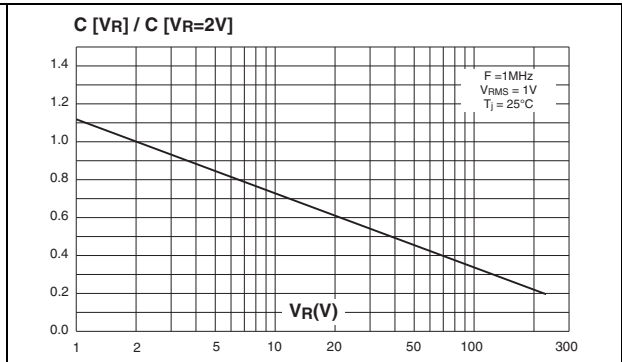
Figure 6. Relative variation of leakage current versus junction temperature (typical values)



**Figure 7. Variation of thermal impedance junction to ambient versus pulse duration (PCB - FR4,  $S_{Cu} = 35\mu m$ , recommended pad layout)**



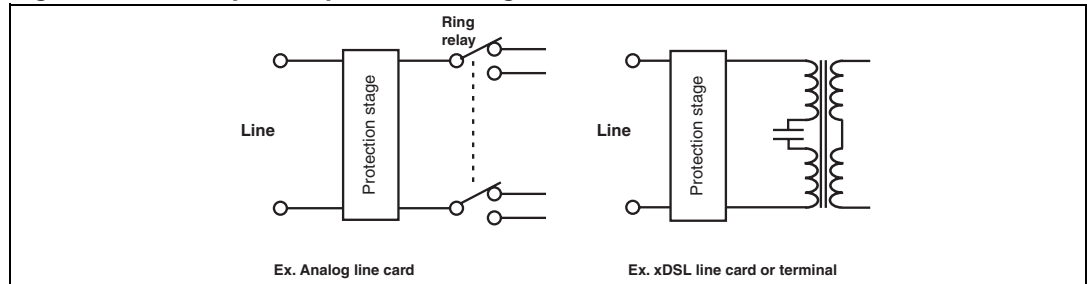
**Figure 8. Relative variation of junction capacitance versus reverse voltage applied (typical values)**



## 2 Application information

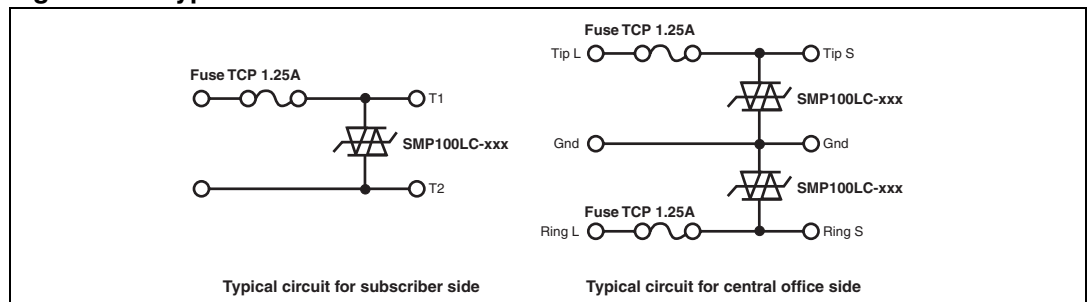
In wireline applications, analog or digital, both central office and subscriber sides have to be protected. This function is assumed by a combined series / parallel protection stage.

**Figure 9. Examples of protection stages for line cards**

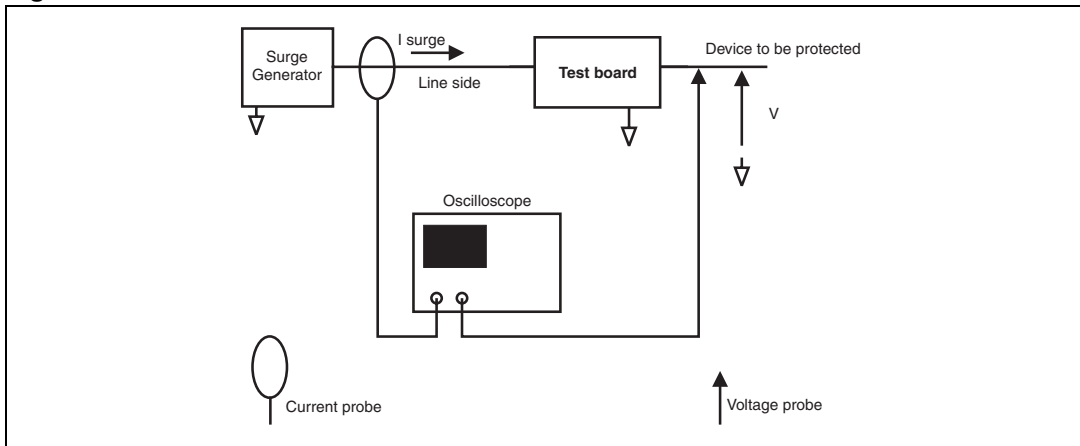


In such a stage, parallel function is assumed by one or several Trisil, and is used to protect against short duration surge (lightning). During this kind of surges the Trisil limits the voltage across the device to be protected at its break over value and then fires. The fuse assumes the series function, and is used to protect the module against long duration or very high current mains disturbances (50/60Hz). It acts by safe circuit opening. Lightning surge and mains disturbance surges are defined by standards like GR1089, FCC part 68, ITU-T K20.

**Figure 10. Typical circuits**

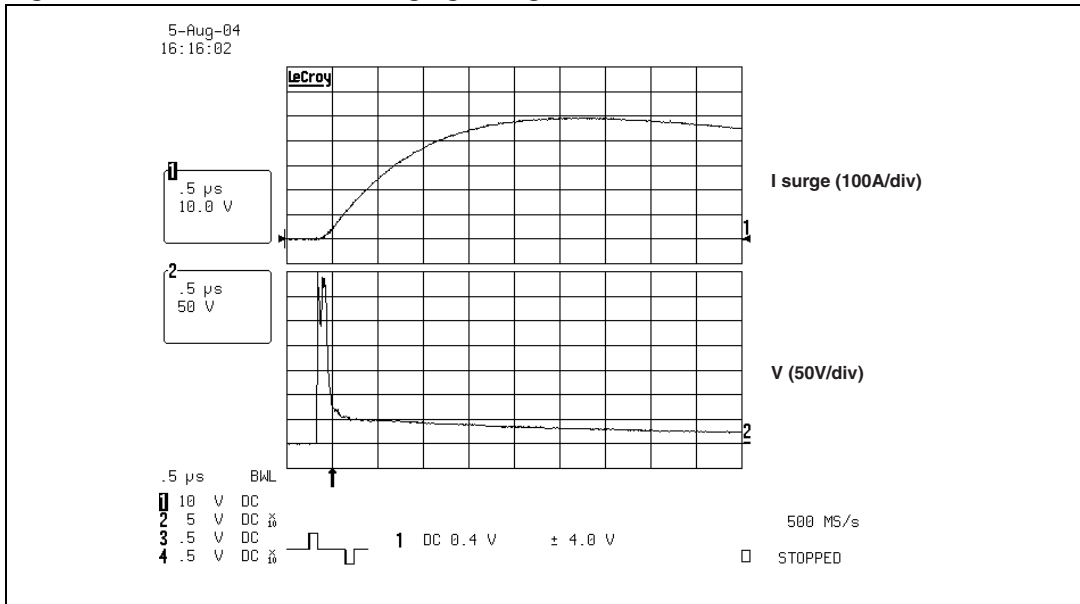


**Figure 11. Test method of the board with fuse and Trisil**



These topologies, using SMP100LC from ST and TCP1.25A from Cooper Bussmann, have been functionally validated with a Trisil glued on the PCB. Following example was performed with SMP100LC-270 Trisil. For more information, see Application Note AN2064.

**Figure 12. Trisil turns on during lightning strike**



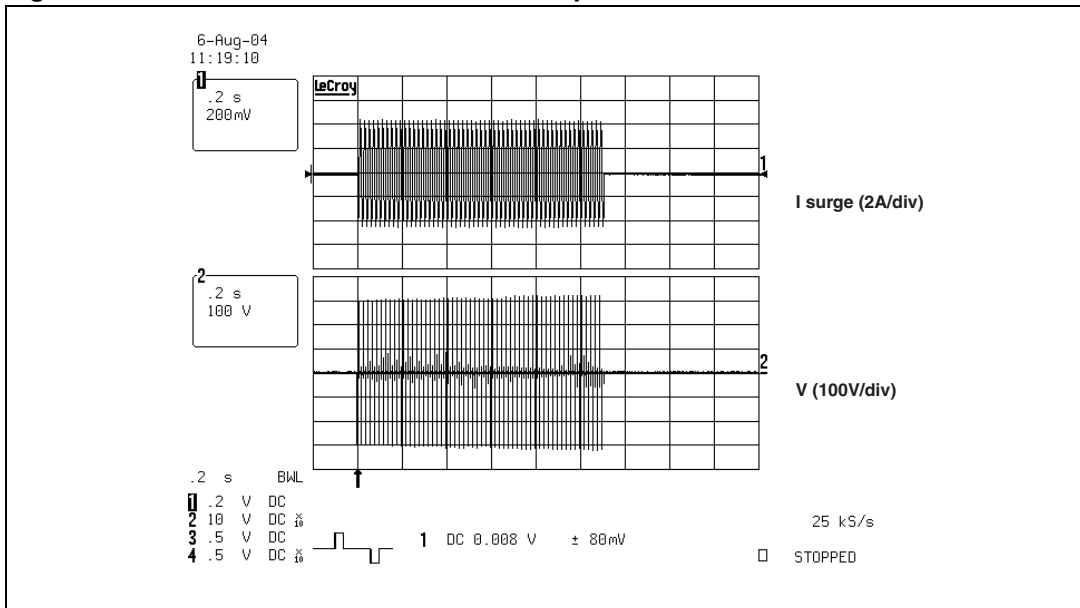
**Test conditions:**

2/10 μs + and - 2.5 and 5 kV, 500 A (10 pulses of each polarity), T<sub>amb</sub> = 25° C

**Test result:**

Fuse and Trisil OK after test in accordance with GR1089 requirements.

**Figure 13. Trisil action while fuse remains operational**



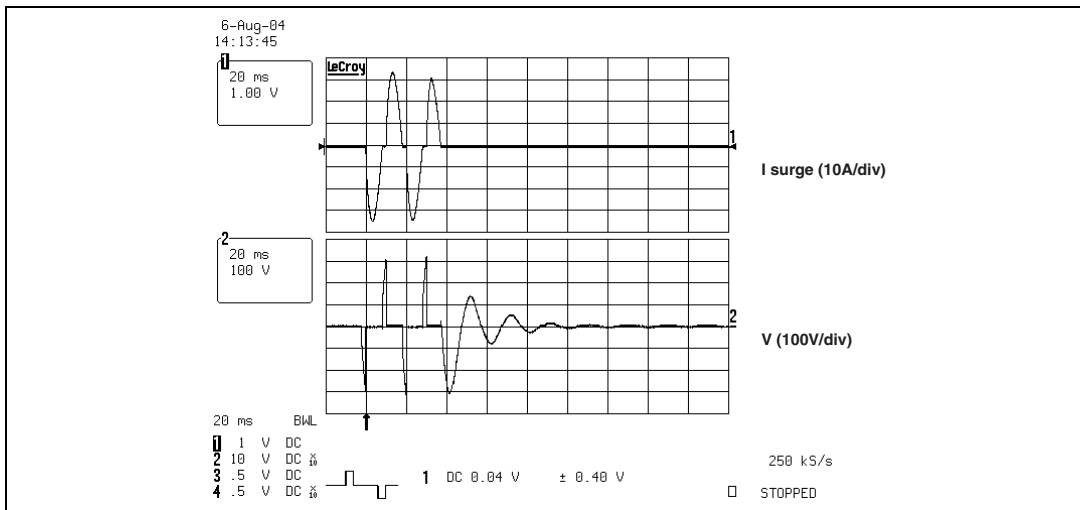
**Test conditions:**

600 V, 3 A, 1.1 s (first level),  $T_{amb} = 25^{\circ} C$

**Test result:**

Fuse and Trisil OK after test in accordance with GR1089 requirements.

**Figure 14. High current AC power test: the fuse acts like a switch by opening the circuit**



**Test conditions:**

277 V, 25 A (second level),  $T_{amb} = 25^{\circ} C$

**Test result:**

Fuse safely opened and Trisil OK after test in accordance with GR1089 requirements.

Figure 15. Test circuit 1 for Dynamic  $I_{BO}$  and  $V_{BO}$  parameters

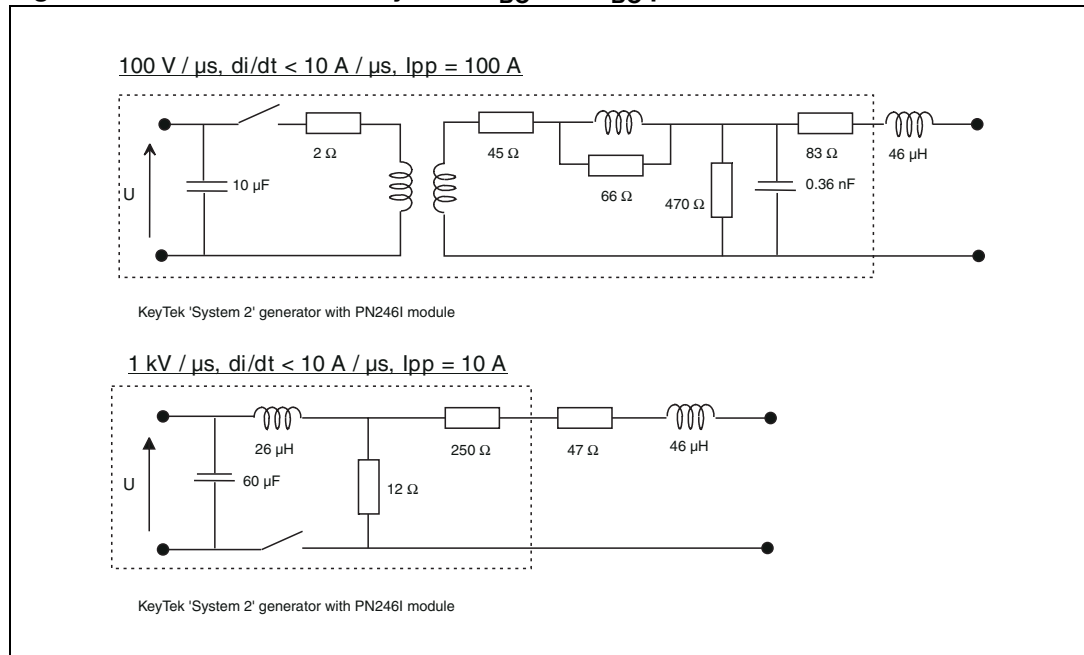


Figure 16. Test circuit 2 for  $I_{BO}$  and  $V_{BO}$  parameters

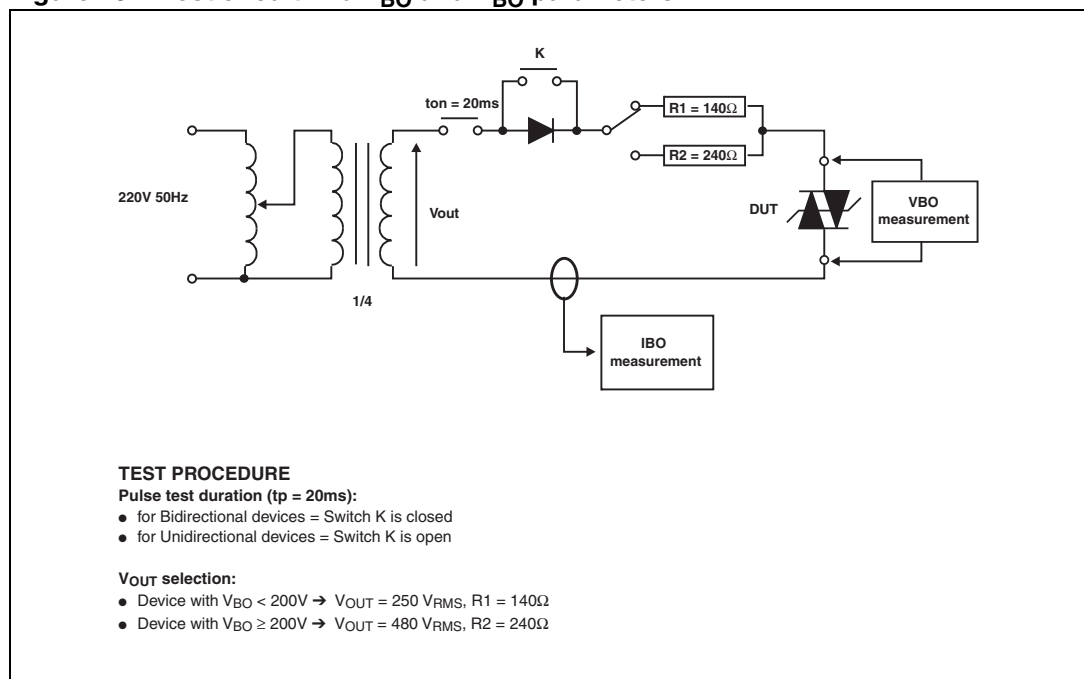
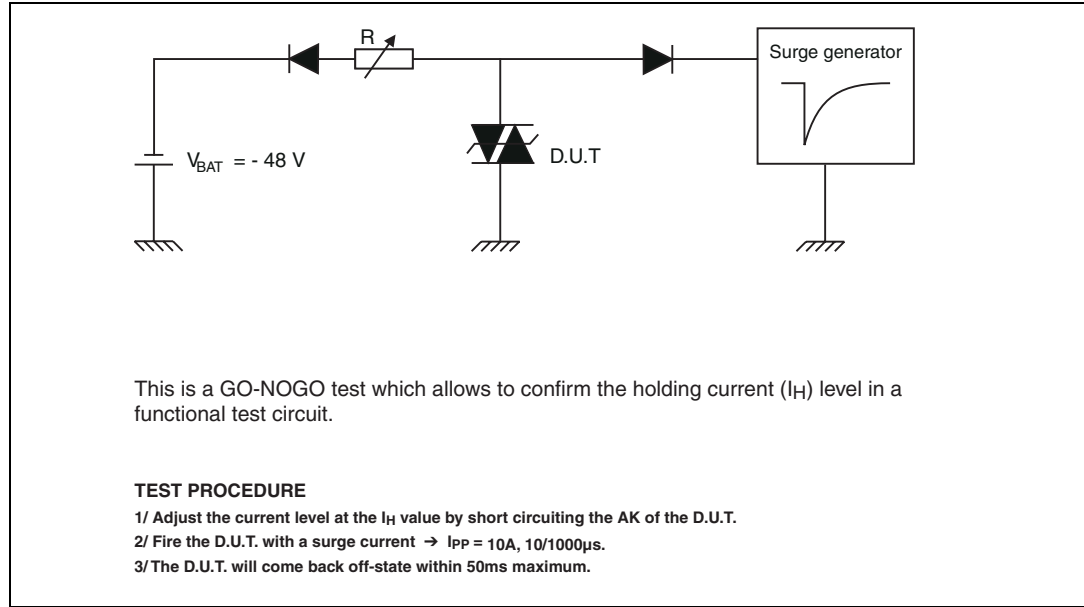
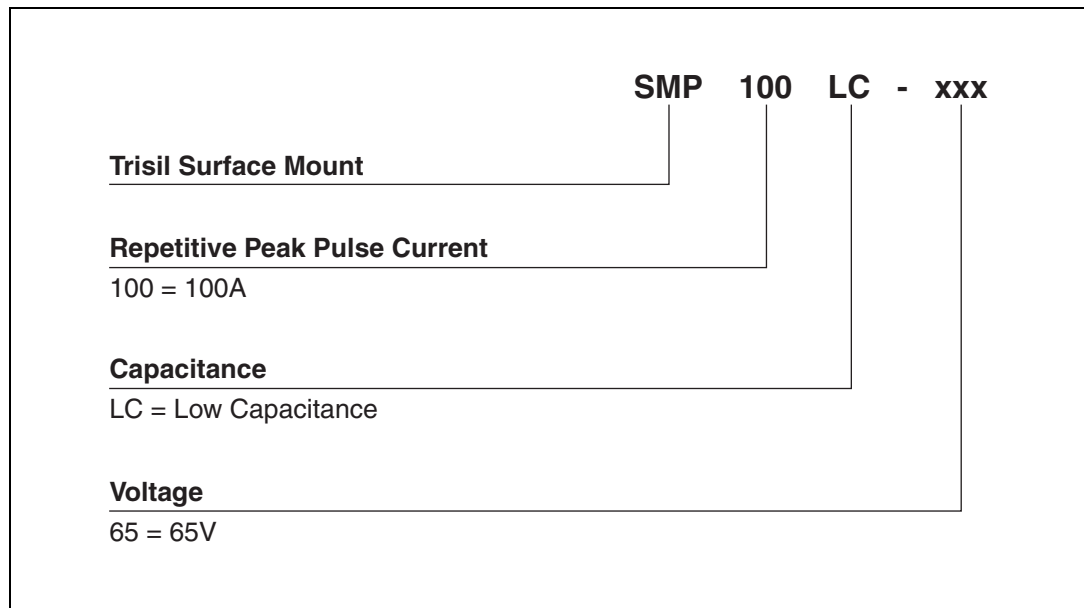




Figure 17. Test circuit 3 for dynamic  $I_H$  parameter



### 3 Ordering information scheme

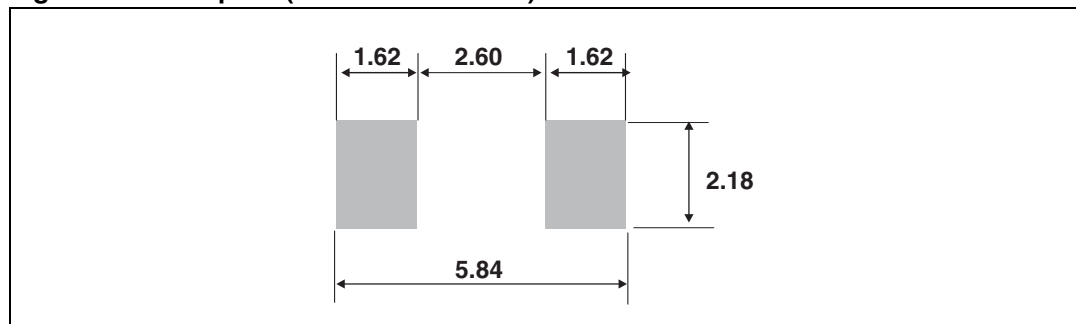


## 4 Package information

Table 5. SMB Dimensions

Ref.	Dimensions			
	Millimeters		Inches	
	Min.	Max.	Min.	Max.
A1	1.90	2.45	0.075	0.096
A2	0.05	0.20	0.002	0.008
b	1.95	2.20	0.077	0.087
c	0.15	0.40	0.006	0.016
E	5.10	5.60	0.201	0.220
E1	4.05	4.60	0.159	0.181
D	3.30	3.95	0.130	0.156
L	0.75	1.50	0.030	0.059

Figure 18. Footprint (dimensions in mm)



## 5 Ordering information

Part Number	Marking	Package	Weight	Base qty	Delivery mode
SMP100LC-8	PL8	SMB	0.11 g	2500	Tape & reel
SMP100LC-25	L25				
SMP100LC-35	L35				
SMP100LC-65	L06				
SMP100LC-90	L09				
SMP100LC-120	L12				
SMP100LC-140	L14				
SMP100LC-160	L16				
SMP100LC-200	L20				
SMP100LC-230	L23				
SMP100LC-270	L27				
SMP100LC-320	L32				
SMP100LC-360	L36				
SMP100LC-400	L40				

## 6 Revision history

Date	Revision	Changes
09-Nov-2004	9	Absolute ratings values, table 3 on page 2, updated.
07-Dec-2004	10	SMP100LC-320, SMP100LC-360 and SMP100LC-400 addition.
20-Jun-2005	11	Telecom Circuit Protector added in <a href="#">Description</a> .
05-Mar-2007	12	Reformatted to current standards. SMB <a href="#">Package information</a> updated. Standards compliance paragraphs added to <a href="#">Description</a>

**Please Read Carefully:**

Information in this document is provided solely in connection with ST products. STMicroelectronics NV and its subsidiaries ("ST") reserve the right to make changes, corrections, modifications or improvements, to this document, and the products and services described herein at any time, without notice.

All ST products are sold pursuant to ST's terms and conditions of sale.

Purchasers are solely responsible for the choice, selection and use of the ST products and services described herein, and ST assumes no liability whatsoever relating to the choice, selection or use of the ST products and services described herein.

No license, express or implied, by estoppel or otherwise, to any intellectual property rights is granted under this document. If any part of this document refers to any third party products or services it shall not be deemed a license grant by ST for the use of such third party products or services, or any intellectual property contained therein or considered as a warranty covering the use in any manner whatsoever of such third party products or services or any intellectual property contained therein.

**UNLESS OTHERWISE SET FORTH IN ST'S TERMS AND CONDITIONS OF SALE ST DISCLAIMS ANY EXPRESS OR IMPLIED WARRANTY WITH RESPECT TO THE USE AND/OR SALE OF ST PRODUCTS INCLUDING WITHOUT LIMITATION IMPLIED WARRANTIES OF MERCHANTABILITY, FITNESS FOR A PARTICULAR PURPOSE (AND THEIR EQUIVALENTS UNDER THE LAWS OF ANY JURISDICTION), OR INFRINGEMENT OF ANY PATENT, COPYRIGHT OR OTHER INTELLECTUAL PROPERTY RIGHT.**

**UNLESS EXPRESSLY APPROVED IN WRITING BY AN AUTHORIZED ST REPRESENTATIVE, ST PRODUCTS ARE NOT RECOMMENDED, AUTHORIZED OR WARRANTED FOR USE IN MILITARY, AIR CRAFT, SPACE, LIFE SAVING, OR LIFE SUSTAINING APPLICATIONS, NOR IN PRODUCTS OR SYSTEMS WHERE FAILURE OR MALFUNCTION MAY RESULT IN PERSONAL INJURY, DEATH, OR SEVERE PROPERTY OR ENVIRONMENTAL DAMAGE. ST PRODUCTS WHICH ARE NOT SPECIFIED AS "AUTOMOTIVE GRADE" MAY ONLY BE USED IN AUTOMOTIVE APPLICATIONS AT USER'S OWN RISK.**

Resale of ST products with provisions different from the statements and/or technical features set forth in this document shall immediately void any warranty granted by ST for the ST product or service described herein and shall not create or extend in any manner whatsoever, any liability of ST.

ST and the ST logo are trademarks or registered trademarks of ST in various countries.

Information in this document supersedes and replaces all information previously supplied.

The ST logo is a registered trademark of STMicroelectronics. All other names are the property of their respective owners.

© 2007 STMicroelectronics - All rights reserved

STMicroelectronics group of companies

Australia - Belgium - Brazil - Canada - China - Czech Republic - Finland - France - Germany - Hong Kong - India - Israel - Italy - Japan - Malaysia - Malta - Morocco - Singapore - Spain - Sweden - Switzerland - United Kingdom - United States of America

[www.st.com](http://www.st.com)