

PLEASE CHECK WWW.MOLEX.COM FOR LATEST PART INFORMATION

Part Number: [0731000015](#)
Status: **Active**
Overview: [BNC Miniature RF Connectors and Cable Assemblies](#)
Description: 50 Ohms, BNC Right-Angle Plug, Crimp, RG-141, RG-303 and RG-58 Cable, Solder Center Contact Termination

Documents:

[Drawing \(PDF\)](#) [RoHS Certificate of Compliance \(PDF\)](#)

General

Product Family	RF/Coax Connectors
Series	73100
Overview	BNC Miniature RF Connectors and Cable Assemblies
Product Name	BNC
Style	Cable
Type	Miniature
UPC	756054334782
Wire/Cable Type	RG-141, RG-303, RG-58

Physical

Gender	Plug
Keying to Mating Part	None
Net Weight	18.867/g
Orientation	Right Angle
PCB Mounting	N/A
Packaging Type	Tray
Panel Mount	No
Panel Mount Method	N/A
Reverse Polar	No

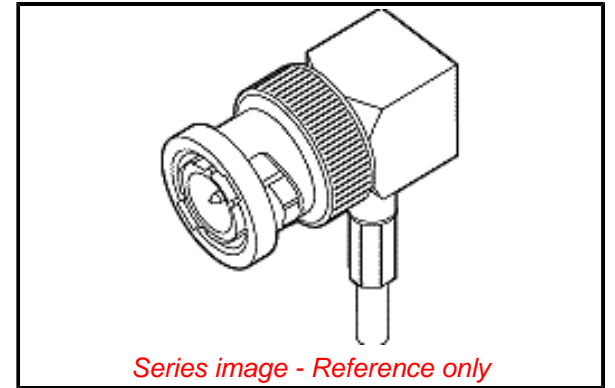
Electrical

Frequency	4 GHz
Impedance	50Ω
Power / Voltage	VOLTAGE: 500 Vrms@Sea Level

Material Info

Reference - Drawing Numbers

Sales Drawing	SD-73100-0015
---------------	---------------



EU ELV

Not Reviewed

EU RoHS

Not Reviewed

REACH SVHC

Not Reviewed

Halogen-Free

Status

Not Reviewed

For more information, please visit [Contact US](#)

China ROHS

Not Reviewed

ELV

Not Reviewed

RoHS Phthalates

Not Reviewed

Search Parts in this Series

[73100 Series](#)

Mouser Electronics

Authorized Distributor

Click to View Pricing, Inventory, Delivery & Lifecycle Information:

[Molex:](#)

[73100-0015](#)