

Customer Information Sheet

DRAWING No.: KAI-MVIXX05MI

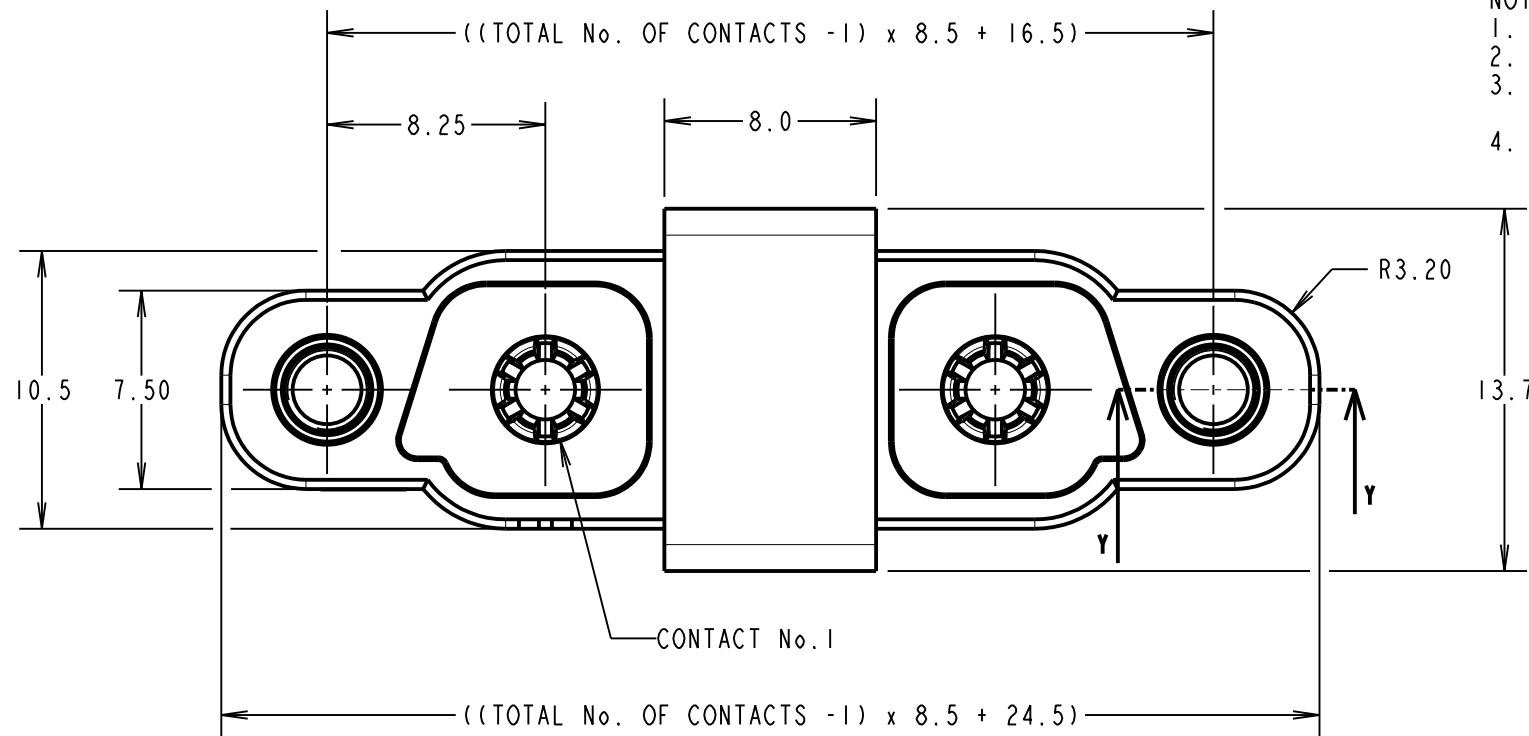
IF IN DOUBT - ASK

©

NOT TO SCALE

THIRD ANGLE PROJECTION

ALL DIMENSIONS IN mm



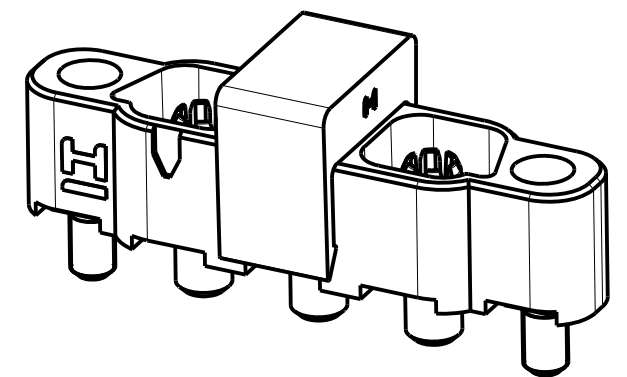
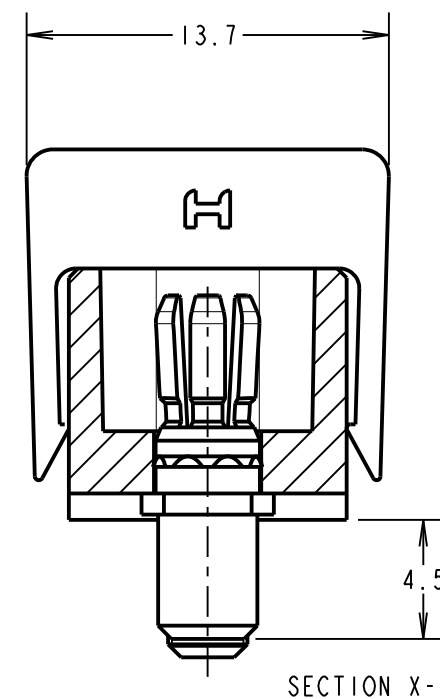
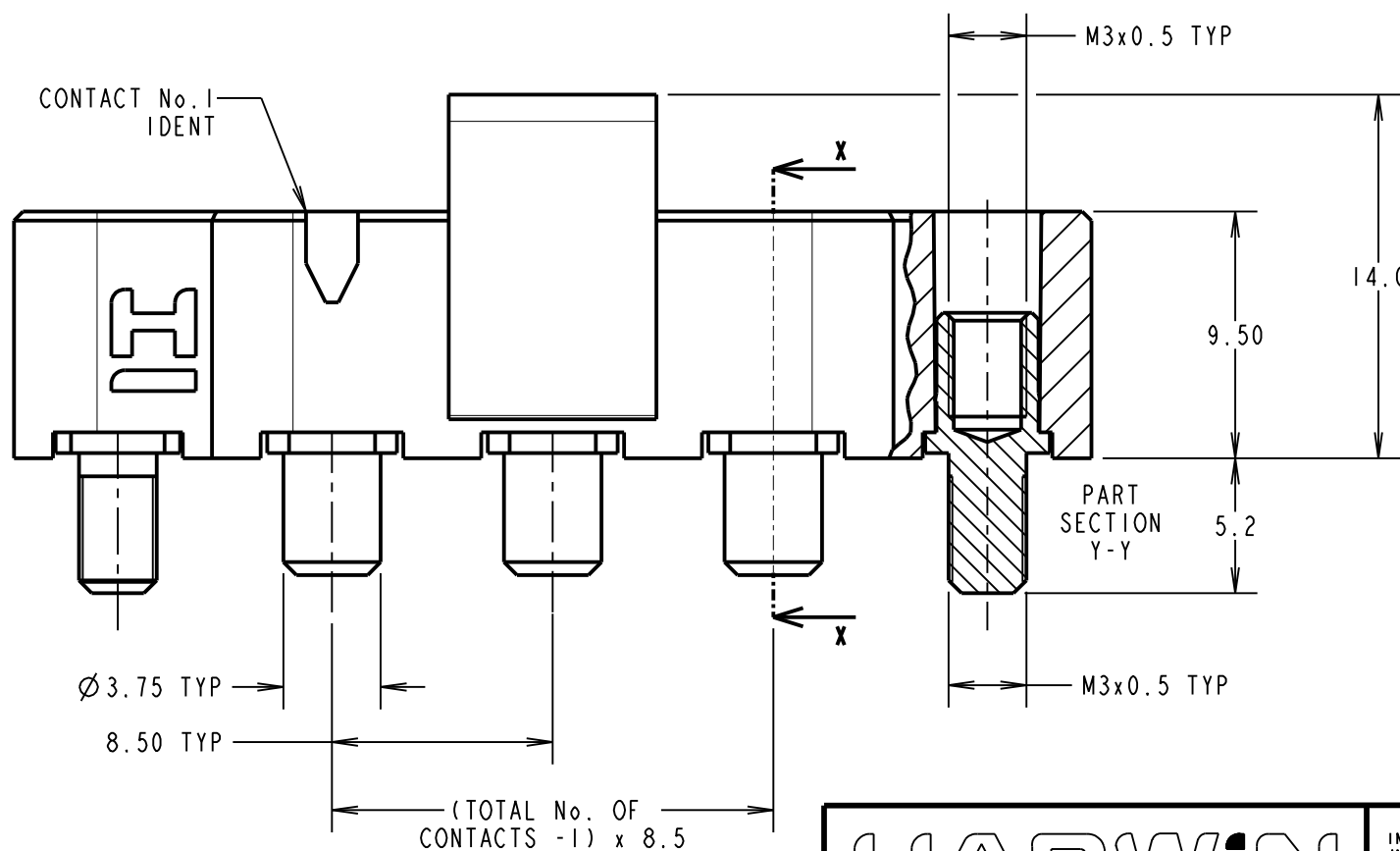
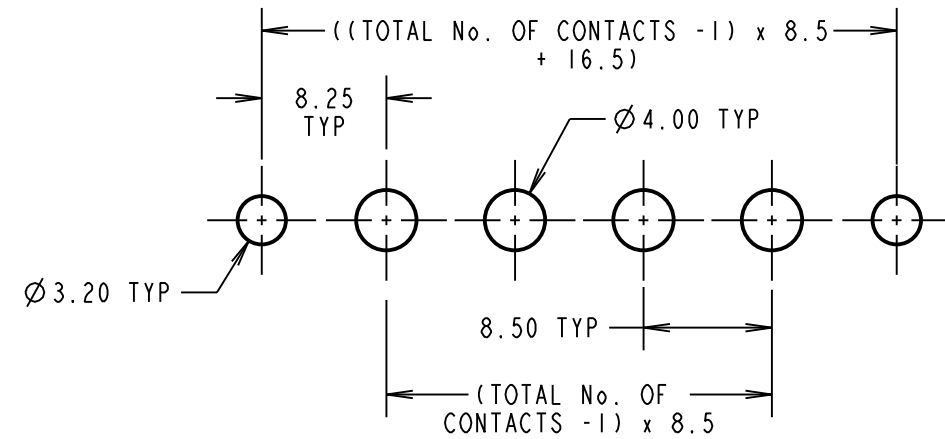
- NOTES:
1. FOR CONNECTOR SPECIFICATIONS SEE C052XX (LATEST ISSUE).
 2. DRAWING SHOWS CONNECTOR WITH 3 CONTACTS.
 3. FOR BOARD MOUNT NUTS ORDER SEPERATELY. PART NUMBER: KAI-4240000 ROUND SLOTTED NUT - BAG OF 20.
 4. PACKING = TUBE.

ORDER CODE:

KAI-MVIXX05MI

TOTAL No. OF CONTACTS
02, 03, 04

RECOMMENDED PCB LAYOUT
(TOLERANCE = ± 0.05)



MR	2	10.03.21	30380
NAME	ISS.	DATE	CN/CO
APPROVED: M.RUDKIN			
CHECKED: R.ALEXANDER			
DRAWN: M.RUDKIN			
CUSTOMER REF.:			
ASSEMBLY DRG:			

HARWIN

www.harwin.com
technical@harwin.com

THIS DRAWING AND ANY INFORMATION OR DESCRIPTIVE MATTER SET OUT HEREON ARE CONFIDENTIAL AND COPYRIGHT PROPERTY OF THE HARWIN GROUP AND MUST NOT BE DISCLOSED, LOANED, COPIED OR USED FOR MANUFACTURING, TENDERING OR FOR ANY OTHER PURPOSE WITHOUT THEIR WRITTEN PERMISSION.

TOLERANCES
X. = $\pm 1mm$
X.X = $\pm 0.50mm$
X.XX = $\pm 0.20mm$
X.XXX = $\pm 0.01mm$
ANGLES = $\pm 5^\circ$
UNLESS STATED

MATERIAL:
SEE ABOVE
FINISH: SEE ABOVE
S/AREA: mm²

TITLE:
KONA SERIES - MALE
VERTICAL PCT CONNECTOR

DRAWING NUMBER:
KAI-MVIXX05MI

SHT
4 OF 4