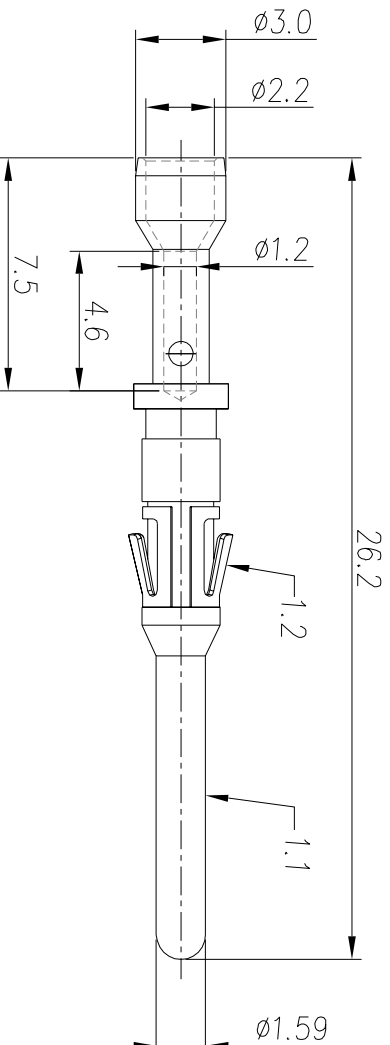


REVISIONS				
REV	ECO	DESCRIPTION	DATE	BY APPR
B1	-	RELEASED DRAWING	JUN-18-2014	BEN TOMMY



- NOTES : ( UNLESS OTHERWISE SPECIFIED )
- MATERIAL :
    - CONTACT BODY : COPPER ALLOY.
    - POSITIONING CLIP : COPPER ALLOY.
  - SPECIFICATIONS :
    - CURRENT RATING : 13A(MAX).
    - TERMINATION TYPE : CRIMPING.
    - WIRE RANGE : 20~22AWG.
    - SUITABLE SOCKET TYPE : MS20M23XX.
  - ROHS COMPLIANT.
  - ALL DIMENSIONS ARE FOR REFERENCE USE ONLY.

P/N	CONTACT PLATING(MATING AREA)
MP20M23T	TIN PLATING OVER NICKEL
MP20M23S	SILVER PLATING OVER NICKEL
MP20M23F	GOLD FLASH PLATING OVER NICKEL
MP20M23G10	10µ" GOLD PLATING OVER NICKEL
MP20M23G15	15µ" GOLD PLATING OVER NICKEL
MP20M23G30	30µ" GOLD PLATING OVER NICKEL

QUANTITY	PART NUMBER	DESCRIPTION	ITEM
<b>MATERIALS LIST</b>			

UNLESS OTHERWISE SPECIFIED 1) ALL DIMENSIONS ARE IN MILLIMETERS. 2) TOLERANCES ARE AS SHOWN: 1 PL, DEC 20-30 2 PL, DEC 20-30 3 PL, DEC 20-30 3) Note reference =	SIGNATURES DRAWN: BBI CHECKED: JHM/SMH ENGINEER: APPROVAL:	DATE JUN-18-2014	ECO-MATE PIN CONTACT MACHINE: 20-22AWG, SIZE 16
--	--	---------------------	--

PROCESS SPECIFICATIONS: NEXT ASST:	THIS DRAWING IS SUPPLIED FOR SPECIFICATIONS AND PERFORMANCE DATA. THE DRAWING IS NOT TO BE USED FOR REPRODUCTION AND ALL RIGHTS OF REPRODUCTION ARE RESERVED. ALL MANUFACTURING VARIATIONS.	SCALE: NONE	SHEET 1 OF 1
---------------------------------------	---	-------------	--------------