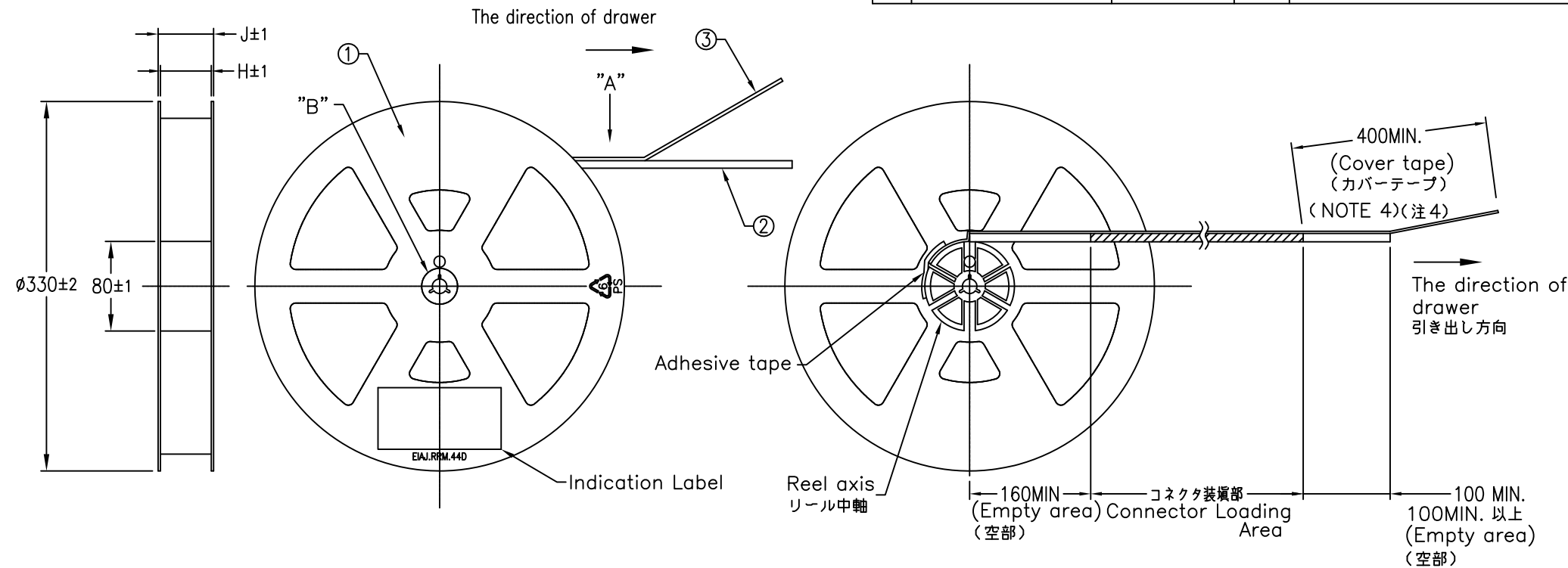


PRODUCT NO.	Finish	No. of Contact	Status
10125839-03RAEHLF	Au	3 pos	
10125839-04RAEHLF	Au	4 pos	
10125839-06RAEHLF	Au	6 pos	

PARTS TABLE 部品表

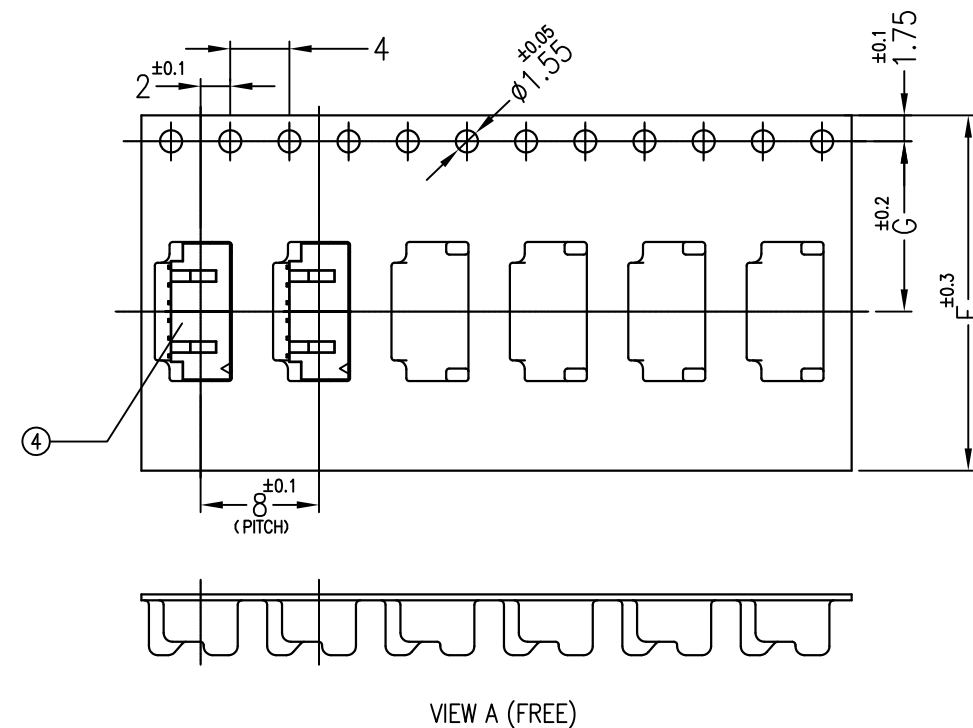
No.	PART NAME	MATERIAL	QTY.	NOTE
①	THE REEL FOR PACKAGING	POLYSTYRENE	1	Color : WHITE or BLACK ELECTRIFICATION PREVENTION PROCESSING
②	EMBOSS TAPE	PP or PET	1	ELECTRIFICATION PREVENTION PROCESSING
③	COVER TAPE	POLYESTER	1	
④	CONNECTOR	SEE SHEET 2	2,000	

EMBOSS PACKAGE



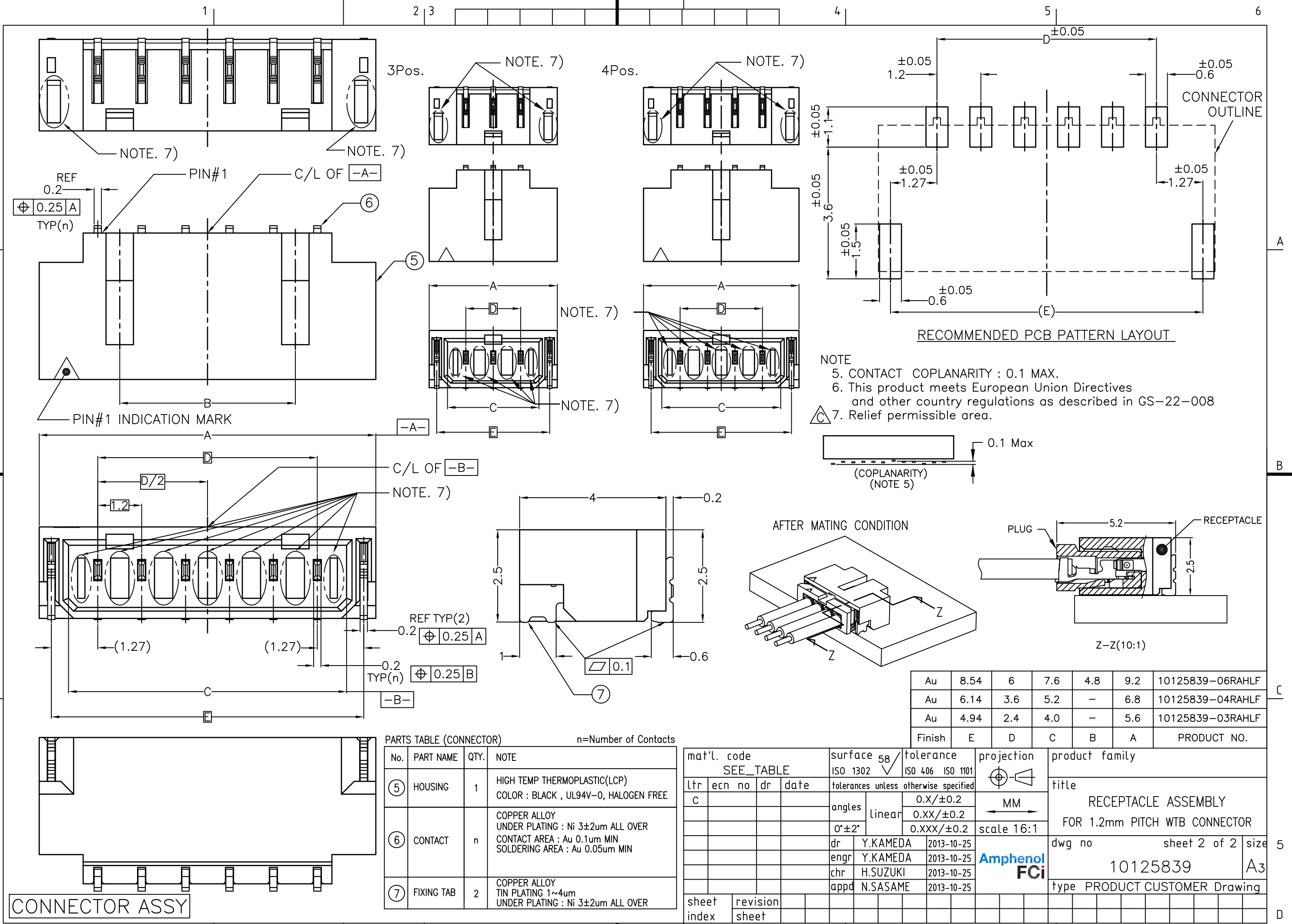
NOTE

- THIS ARTICLE CARRIES OUT THE EMBOSS TAPE PACKAGE OF THE CONNECTOR FOR 1.2mm PITCH WIRE TO BOARD CONNECTOR.
- THE SHAPE AND DIMENSION OF THIS ARTICLE ARE BASED ON JIS C 0806. (TAPING OF ELECTRIC PARTS < SURFACE MOUNTED DEVICE)
- PACKAGING SPEC. : REFER TO GS-14-2360
- PRODUCT SPEC. : REFER TO GS-12-1189



29.5	25.5	11.5	24	10125839-06RAEHLF
21.5	17.5	7.5	16	10125839-04RAEHLF
21.5	17.5	7.5	16	10125839-03RAEHLF
J	H	G	F	PRODUCT NO.

mat'l. code		surface 58		tolerance		projection		product family			
		ISO 1302		ISO 406 ISO 1101		MM		RECEPTACLE ASSEMBLY			
ltr	ecn no	dr	date	tolerances unless otherwise specified		MM		FOR 1.2mm PITCH WTB CONNECTOR			
A		Y.K	2013-12-17	angles	linear	scale NA		dwg no			
B	ELX-J-16637	Y.K	2013-12-17	0°±3'	0.X/±0.2	Amphenol FCI		sheet 1 of 2			
C	ELX-J-31187	Y.K	2018-09-06	0°±3'	0.XX/±0.2			size 5			
		dr	Y.KAMEDA	2013-10-25			10125839		A3		
		enr	Y.KAMEDA	2013-10-25			type		PRODUCT CUSTOMER Drawing		
		chr	H.SUZUKI	2013-10-25							
		appd	N.SASAME	2013-10-25							
sheet index	revision sheet	C	C								
		1	2								



PARTS TABLE (CONNECTOR) n=Number of Contacts

No.	PART NAME	QTY.	NOTE
⑤	HOUSING	1	HIGH TEMP THERMOPLASTIC(LCP) COLOR : BLACK , UL94V-0, HALOGEN FREE
⑥	CONTACT	n	COPPER ALLOY UNDER PLATING : Ni 3±2um ALL OVER CONTACT AREA : Au 0.1um MIN SOLDERING AREA : Au 0.05um MIN
⑦	FIXING TAB	2	COPPER ALLOY TIN PLATING 1~4um UNDER PLATING : Ni 3±2um ALL OVER

Au	8.54	6	7.6	4.8	9.2	10125839-06RAHLF
Au	6.14	3.6	5.2	-	6.8	10125839-04RAHLF
Au	4.94	2.4	4.0	-	5.6	10125839-03RAHLF
Finish	E	D	C	B	A	PRODUCT NO.

mat'l. code				surface 58		tolerance		projection		product family	
SEE_TABLE				ISO 1302		ISO 406 ISO 1101				title	
ltr	ecn no	dr	date	tolerances unless otherwise specified		0.X/±0.2		MM		RECEPTACLE ASSEMBLY	
c				angles	linear	0.XX/±0.2				FOR 1.2mm PITCH WTB CONNECTOR	
				0°±2'		0.XXX/±0.2		scale 16:1		dwg no	
				dr	Y.KAMEDA	2013-10-25				sheet 2 of 2	
				enr	Y.KAMEDA	2013-10-25				size 5	
				chr	H.SUZUKI	2013-10-25				10125839	
				appd	N.SASAME	2013-10-25				A3	
sheet index		revision sheet								type PRODUCT CUSTOMER Drawing	