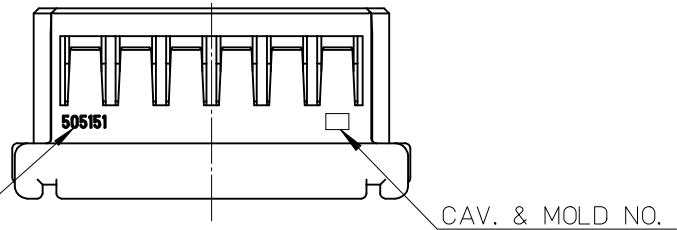
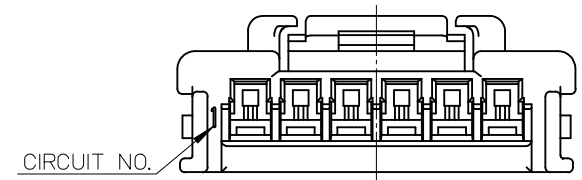
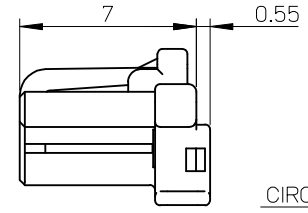
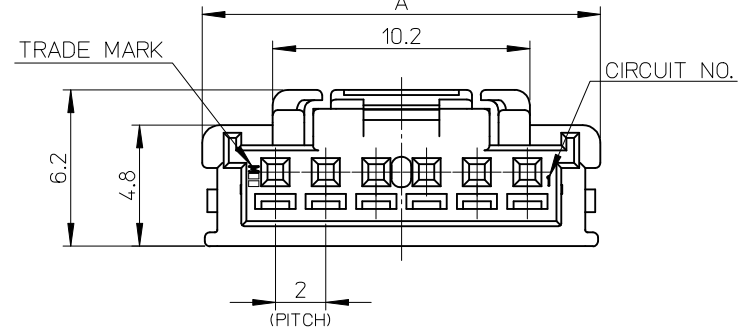
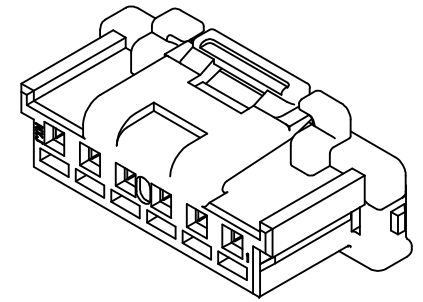
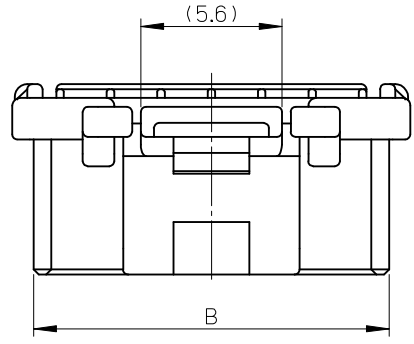


10 9 8 7 6 5 4 3 2 1



6CKTS

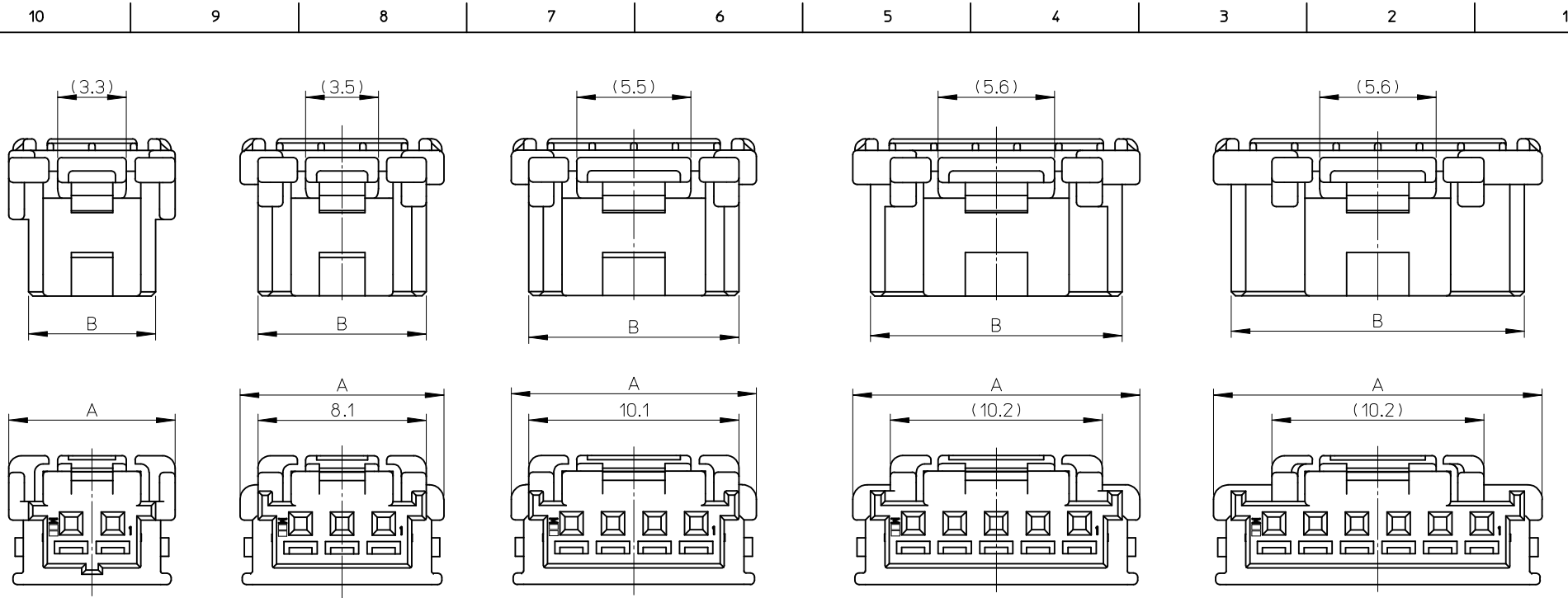
NOTES

1. 材料 : PA, UL94V-2
MATERIAL: PA, UL94V-0
2. 色 : 黒
COLOR: BLACK
3. 嵌合端子 : 505153 シリーズ
APPLICABLE TERMINAL: 505153 SERIES
4. 嵌合相手 : 502352-**08, 560020 シリーズ
MATE WITH: 502352-**08, 560020 SERIES
5. 適合リテーナー : 505152 シリーズ
APPLICABLE RETAINER: 505152 SERIES
6. ELV 及びRoSH適合
ELV AND RoSH COMPLIANT

34	34	32.1	33.8	5051511500	15
32	32	30.1	31.8	5051511400	14
30	30	28.1	29.8	5051511300	13
28	28	26.1	27.8	5051511200	12
26	26	24.1	25.8	5051511100	11
24	24	22.1	23.8	5051511000	10
22	22	20.1	21.8	5051510900	9
22.6	20	18.1	19.8	5051510800	8
20.6	18	16.1	17.8	5051510700	7
18.6	16	14.1	15.8	5051510600	6
16.6	14	12.1	13.8	5051510500	5
14.6	12	10.1	11.8	5051510400	4
12.6	10	8.1	9.8	5051510300	3
10.9	8	6.1	8.0	5051510200	2
D	C	B	A	MATERIAL NO.	CIRCUIT

REVISED EC NO: J2015-0716 DRWN: MIKEDA01 2014/11/27 CHKD: APPR: NUKITA 2014/11/28 REV	GENERAL TOLERANCES (UNLESS SPECIFIED)		DIMENSION STYLE MM ONLY		SCALE 5:1	DESIGN UNITS METRIC	THIRD ANGLE PROJECTION
	10 UNDER	±0.2	DRAWN BY MIKEDA01	DATE 2014/03/03	TITLE 2.0MM PITCH W/B CONN. RECEPTACLE HOUSING molex DOCUMENT NO. SD-505151-001 SHEET NO. 1 OF 3		
	10 OVER 30 UNDER	±0.25	CHECKED BY KASAKAWA	DATE 2014/03/04			
	30 OVER	±0.3	APPROVED BY NUKITA	DATE 2014/03/28			
ANGULAR ±3 °		MATERIAL NO. SEE CHART					
DRAFT WHERE APPLICABLE MUST REMAIN WITHIN DIMENSIONS		THIS DRAWING CONTAINS INFORMATION THAT IS PROPRIETARY TO MOLEX INCORPORATED AND SHOULD NOT BE USED WITHOUT WRITTEN PERMISSION					

9 8 7 6 5 4 3 2



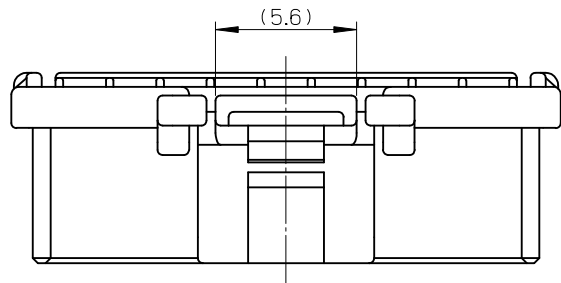
2 CKTS

3 CKTS

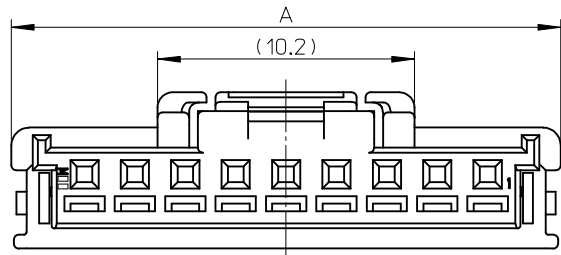
4 CKTS

5 CKTS

6-8 CKTS



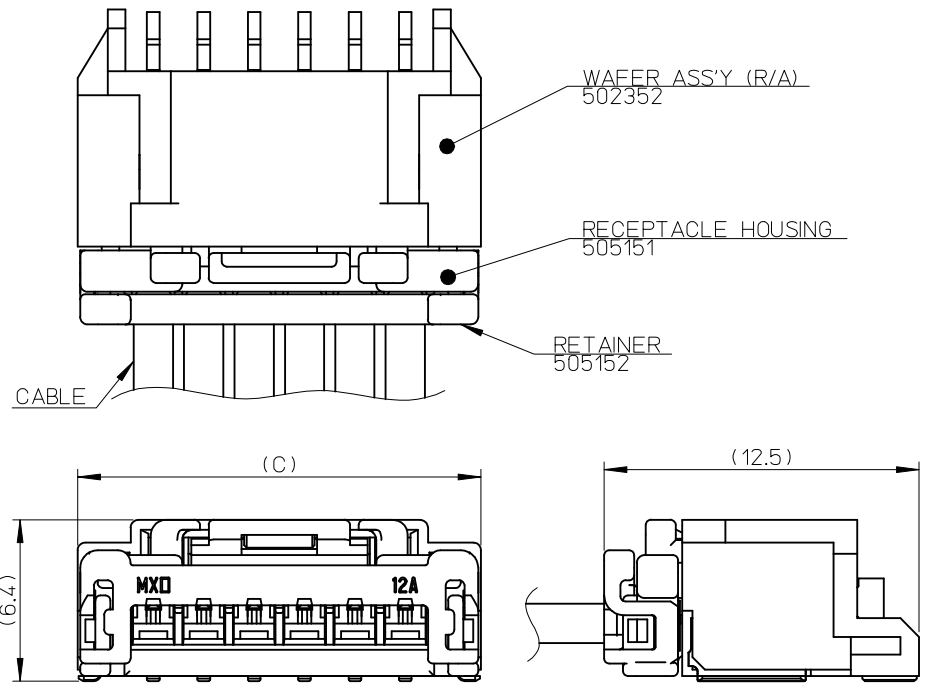
9 CKT OR MORE



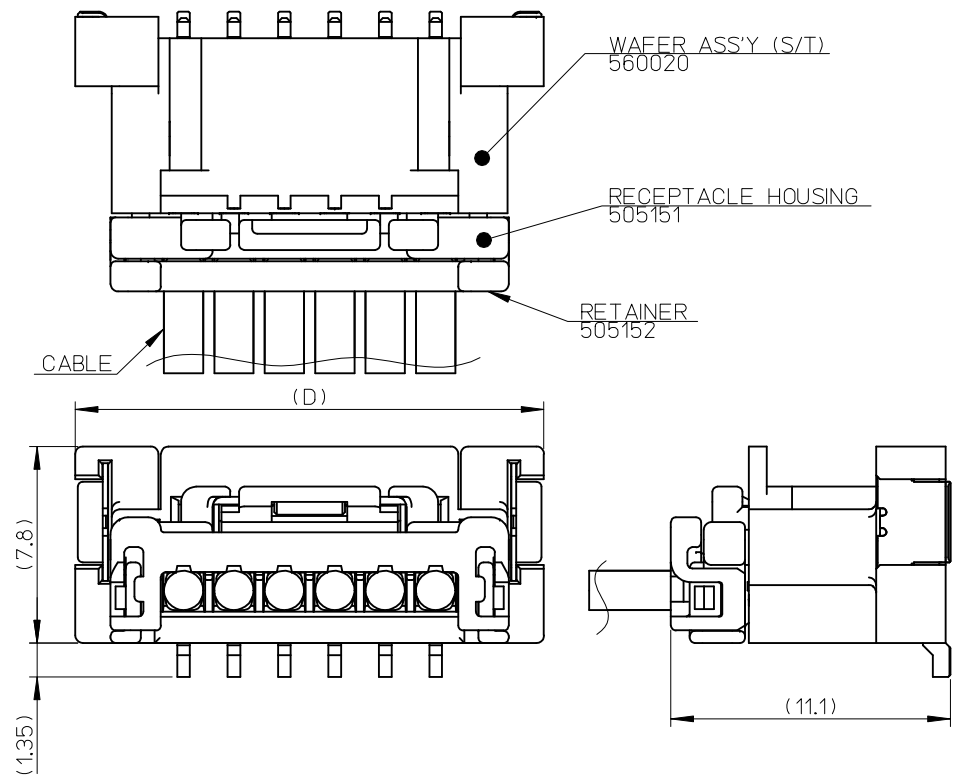
REVISED EC NO: J2015-0716 DRWN: MIKEDA01 2014/11/27 CHKD: NUKITA APPR: NUKITA 2014/11/28 REV: B	GENERAL TOLERANCES (UNLESS SPECIFIED)		DIMENSION STYLE MM ONLY	SCALE 5:1	DESIGN UNITS METRIC	THIRD ANGLE PROJECTION
	10 UNDER	±0.2	DRAWN BY MIKEDA01	DATE 2014/03/03	TITLE 2.0MM PITCH W/B CONN. RECEPTACLE HOUSING	
	10 OVER 30 UNDER	±0.25	CHECKED BY KASAKAWA	DATE 2014/03/04		
	30 OVER	±0.3	APPROVED BY NUKITA	DATE 2014/03/28	molex DOCUMENT NO. SD-505151-001 SHEET NO. 2 OF 3	
	ANGULAR ±3 °		MATERIAL NO. SEE SHEET 1			
DRAFT WHERE APPLICABLE MUST REMAIN WITHIN DIMENSIONS		SIZE A3		THIS DRAWING CONTAINS INFORMATION THAT IS PROPRIETARY TO MOLEX INCORPORATED AND SHOULD NOT BE USED WITHOUT WRITTEN PERMISSION		

嵌合図

Right Angle: 502352 series



Straight: 560020 series



REVISED EC NO: J2015-0716 DRWN: MIKEDA01 2014/11/27 CHKD: APPR: NUKITA 2014/11/28	GENERAL TOLERANCES (UNLESS SPECIFIED)		DIMENSION STYLE MM ONLY		SCALE 5:1	DESIGN UNITS METRIC	THIRD ANGLE PROJECTION
	10 UNDER	±0.2	DRAWN BY MIKEDA01	DATE 2014/03/03	TITLE 2.0MM PITCH W/B CONN. RECEPTACLE HOUSING		
	10 OVER 30 UNDER	±0.25	CHECKED BY KASAKAWA	DATE 2014/03/04	MATERIAL NO. SEE SHEET 1		
	30 OVER	±0.3	APPROVED BY NUKITA	DATE 2014/03/28	DOCUMENT NO. SD-505151-001	SHEET NO. 3 OF 3	
ANGULAR ±3 ° DRAFT WHERE APPLICABLE MUST REMAIN WITHIN DIMENSIONS		THIS DRAWING CONTAINS INFORMATION THAT IS PROPRIETARY TO MOLEX INCORPORATED AND SHOULD NOT BE USED WITHOUT WRITTEN PERMISSION					