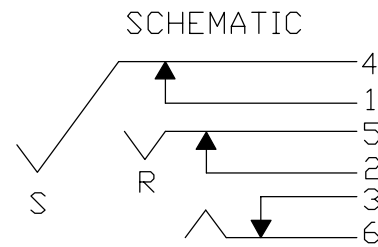
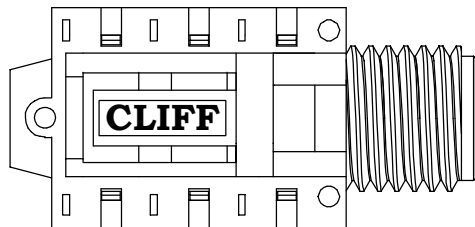
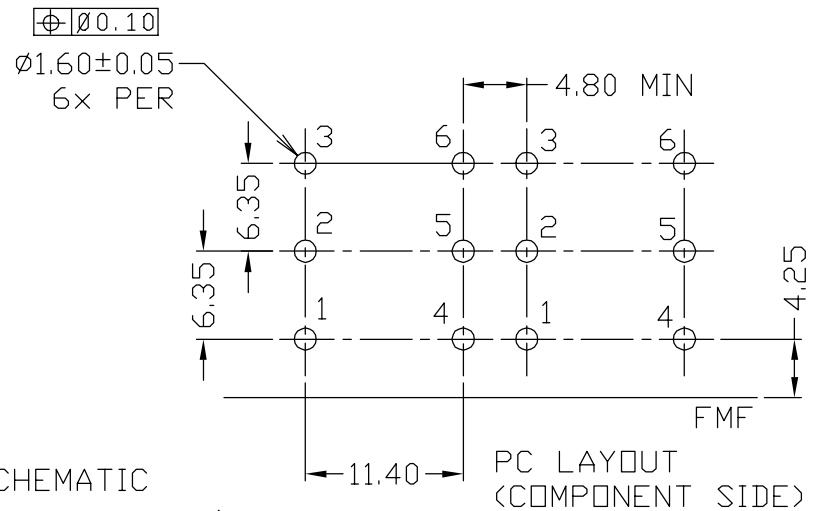
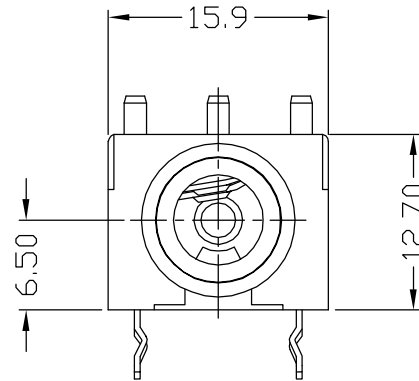
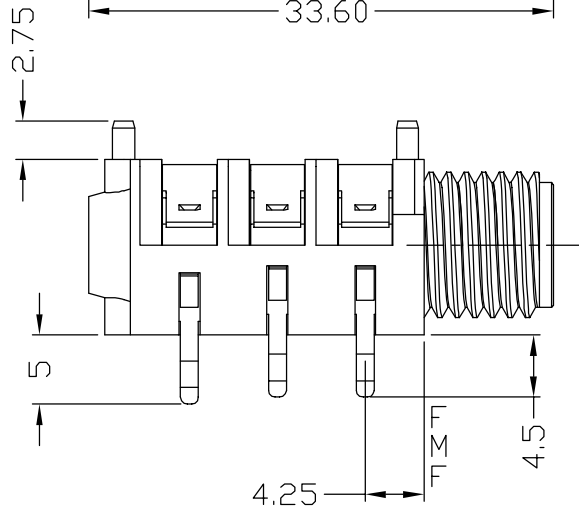
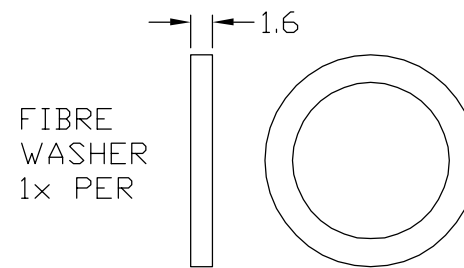
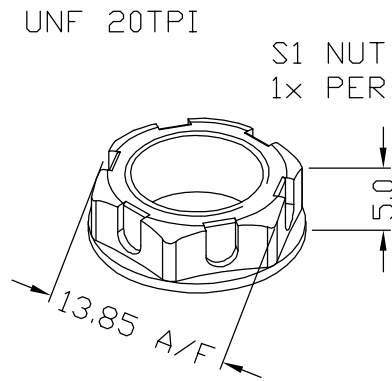
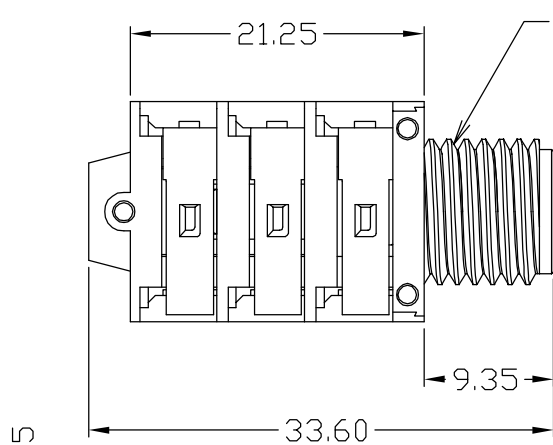


ISS.	AMEND	DATE
1	ISSUED	25/04/17



INSERTED PLUG MAKES WITH 4, 5, 6 AND BREAKS 1, 2, 3. SWITCHES MAKE ON PLUG REMOVAL.

NOTE:
NUTS + WASHERS SUPPLIED UNASSEMBLED, BULK PACKED.

RoHS COMPLIANT

TOLERANCE
NO DEC. PLACE ±
1 DEC. PLACE ±
2 DEC. PLACE ±
HOLE Ø ±
ANGLES ±
UNLESS OTHERWISE STATED

Cliff Electronic Components Ltd.
76 Holmethorpe Avenue, Holmethorpe Industrial Estate,
Redhill, Surrey, RH1 2PF, England, UK
Tel: 01737-771375 Fax: 01737-766012 Website: www.cliffuk.co.uk

DIMENSIONS IN MILLIMETERS UNLESS OTHERWISE STATED. WORK TO DIMENSIONS. REMOVE ALL BURRS. IF IN DOUBT ASK.

3rd ANGLE PROJECTION:

DO NOT SCALE

MATERIAL: BLACK POLYAMIDE / PbRz / BRASS / FIBRE

TITLE: 1/4" JACK SOCKET S1/BBB/WWN UNASSEMBLED

FINISH: AS MOULDED / TIN PLATED

DRAWN: T.J.O.

APPROVED: D.P.J.

DRWG. No. **CL1115**

FORM: A4DRWGH

THE CONTENTS OF THIS DOCUMENT MUST NOT BE COPIED OR DISCLOSED TO A 3rd PARTY WITHOUT WRITTEN PERMISSION OF CLIFF UK. © 2017