

322870 ✓ ACTIVE

SOLISTRAND

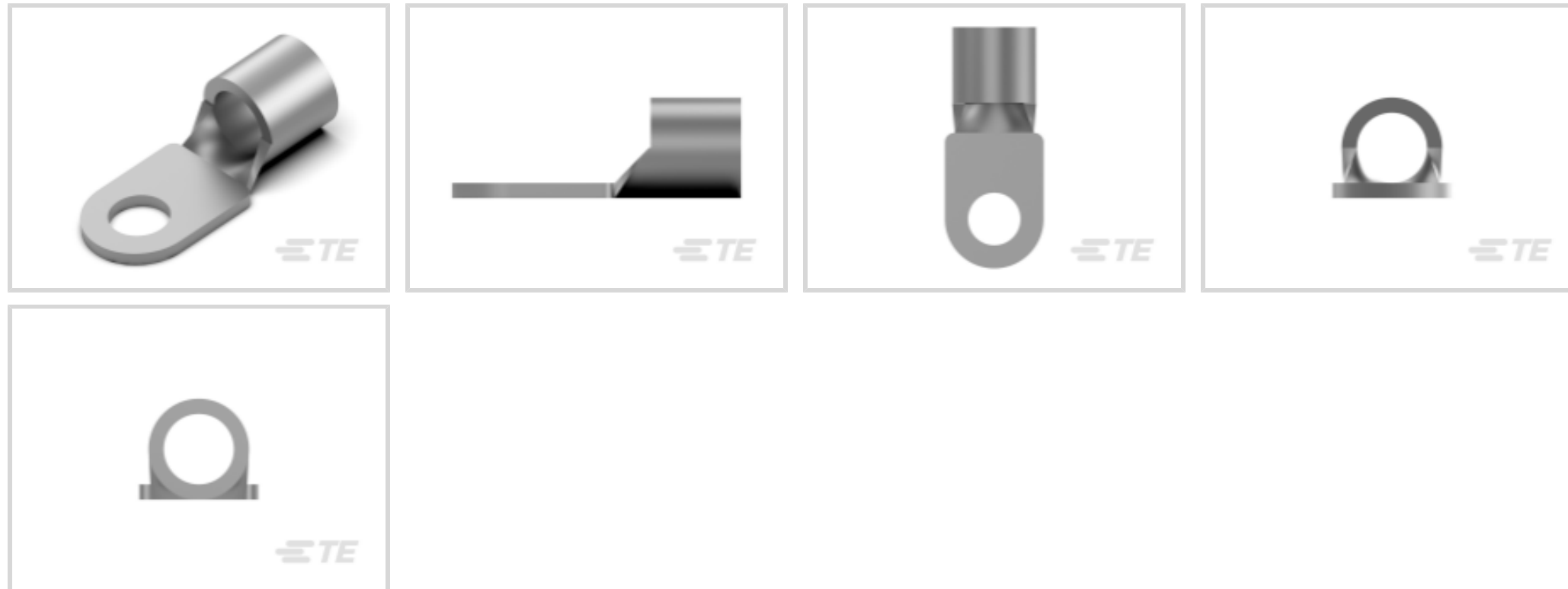
TE Internal #: 322870

Ring Terminals & Spade Terminals, Ring Tongue, 2 AWG Wire Size,
26.7 – 42.4 mm² Wire Size, 52600 – 83700 CMA Wire Size, Stud Size
M8 / 5/16

[View on TE.com >](#)



Terminals & Splices > Ring Terminals & Spade Terminals



Ring & Spade Terminal Type: **Ring Tongue**

Wire Size: **52600 – 83700 CMA**

Stud Size: **5/16, M8**

Features

Product Type Features

Shape Description	RING-051
Stud Size	5/16, M8
Sealable	No
Wire Insulation Support Retention Type	Non-Insulation Support

Configuration Features

Number of Holes	1
Terminal Angle	180 °

Body Features

Inspection Slot	No
Weight per Piece	12.297 g

Contact Features

Military Part Class	Class II
Ring & Spade Terminal Type	Ring Tongue
Barrel Type	Closed
Terminal Orientation	Straight



Terminal Plating Material	Tin
---------------------------	-----

Mechanical Attachment

Wire Insulation Support	Without
-------------------------	---------

Dimensions

Wire Size	52600 – 83700 CMA
-----------	-------------------

Stud Diameter	8.33 mm[.328 in]
---------------	------------------

Tongue Thickness	.79 mm[.031 in]
------------------	-----------------

Overall Product Length	38.79 mm[1.527 in]
------------------------	--------------------

Barrel Inside Diameter	9.4 mm[.37 in]
------------------------	----------------

Usage Conditions

Insulation Requirement	Uninsulated
------------------------	-------------

Operating Temperature Range	170 °C[338 °F]
-----------------------------	----------------

Operation/Application

Compatible With Wire Base Material	Copper
------------------------------------	--------

Compatible With Wire Plating Material	Tin
---------------------------------------	-----

Heavy Duty	No
------------	----

Industry Standards

Government Qualified	Yes
----------------------	-----

Packaging Features

Packaging Method	Loose Piece
------------------	-------------

Product Compliance

[For compliance documentation, visit the product page on TE.com>](#)

EU RoHS Directive 2011/65/EU	Compliant
------------------------------	-----------

EU ELV Directive 2000/53/EC	Compliant
-----------------------------	-----------

China RoHS 2 Directive MIIT Order No 32, 2016	No Restricted Materials Above Threshold
---	---

EU REACH Regulation (EC) No. 1907/2006	Current ECHA Candidate List: JUL 2021 (219) Candidate List Declared Against: JUL 2021 (219) Does not contain REACH SVHC
--	---

Halogen Content	Low Halogen - Br, Cl, F, I < 900 ppm per homogenous material. Also BFR/CFR/PVC Free
-----------------	---

Solder Process Capability

Not applicable for solder process capability

Product Compliance Disclaimer

This information is provided based on reasonable inquiry of our suppliers and represents our current actual knowledge based on the information they provided. This information is subject to change. The part numbers that TE has identified as EU RoHS compliant have a maximum concentration of 0.1% by weight in homogenous materials for lead, hexavalent chromium, mercury, PBB, PBDE, DBP, BBP, DEHP, DIBP, and 0.01% for cadmium, or qualify for an exemption to these limits as defined in the Annexes of Directive 2011/65/EU (RoHS2). Finished electrical and electronic equipment products will be CE marked as required by Directive 2011/65/EU. Components may not be CE marked. Additionally, the part numbers that TE has identified as EU ELV compliant have a maximum concentration of 0.1% by weight in homogenous materials for lead, hexavalent chromium, and mercury, and 0.01% for cadmium, or qualify for an exemption to these limits as defined in the Annexes of Directive 2000/53/EC (ELV). Regarding the REACH Regulation, the information TE provides on SVHC in articles for this part number is based on the latest European Chemicals Agency (ECHA) 'Guidance on requirements for substances in articles' posted at this URL: <https://echa.europa.eu/guidance-documents/guidance-on-reach>

Compatible Parts



TE Part # 1490414-2
HYP10 SOLIS HD 6-4AWG INDENTER



TE Part # 2-322870-2
STRATO-THERM, HR 2 5/16 NIPL



TE Part # 322870-1
TERMINAL,SOLIS R 2 5/16 90DEG



TE Part # 601075
BANTAM ROTA-CRIMP TOOL



TE Part # 8-322870-3
TERMINAL,SOLIS R 2 5/16



TE Part # 48127
HYP8 SOLIS 6-2AWG INDENTER



TE Part # 45433
HYP8/10 SOLIS 2AWG DIE SET



TE Part # 1490413-4
HYP10 SOLIS 2AWG NEST



TE Part # 600850
ROTO-CRIMP TOOL (ASI)



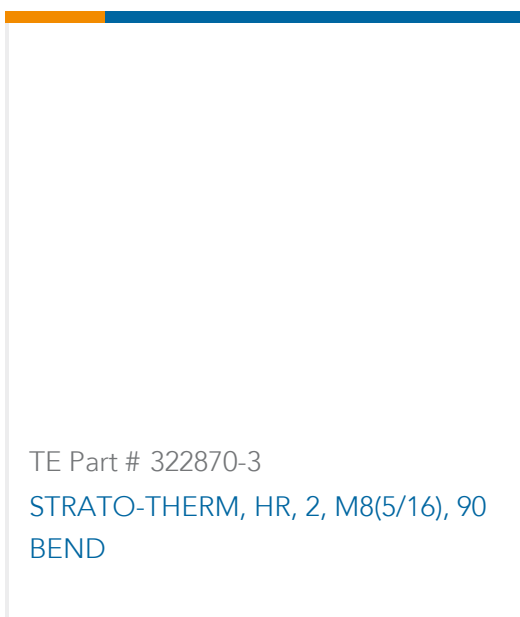
TE Part # 3-1377172-1
SMP 0-0322870-0



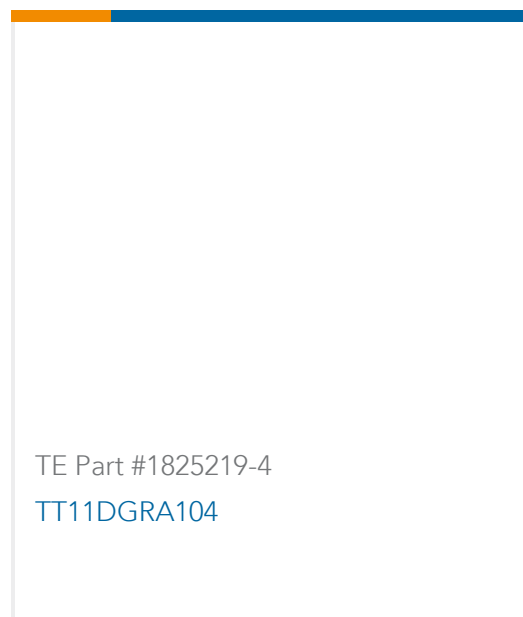
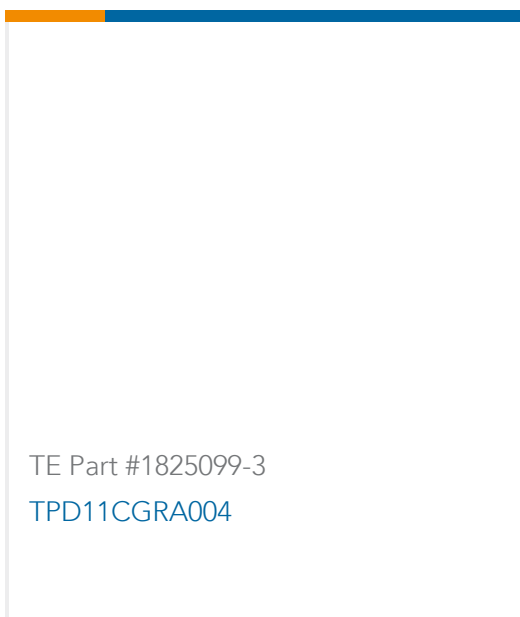
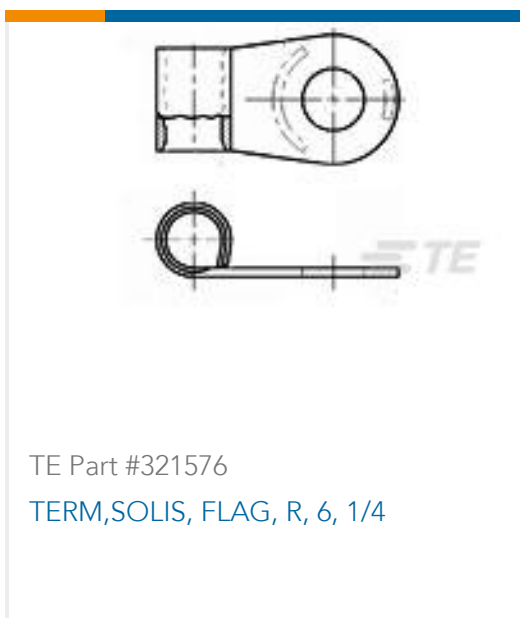
TE Part # 45433-1
DIE SOLIS #2, 90 DEG



TE Part # 48130
HYP8 SOLIS 2AWG NEST



Customers Also Bought



Documents

Product Drawings

[TERMINAL,SOLIS R 2 5/16](#)

English

CAD Files

[3D PDF](#)

[3D](#)

[Customer View Model](#)

[ENG_CVM_CVM_322870_AH.2d_dxf.zip](#)



English

Customer View Model

[ENG_CVM_CVM_322870_AH.3d_igs.zip](#)

English

Customer View Model

[ENG_CVM_CVM_322870_AH.3d_stp.zip](#)

English

3D PDF

English

Customer View Model

[ENG_CVM_322870_J.3d_igs.zip](#)

English

Customer View Model

[ENG_CVM_322870_J.3d_stp.zip](#)

English

Customer View Model

[ENG_CVM_322870_J.2d_dxf.zip](#)

English

By downloading the CAD file I accept and agree to the [Terms and Conditions](#) of use.

Datasheets & Catalog Pages

[SOLISTRAND - QRG](#)

English

Product Environmental Compliance

[MD_322870_07292015917_dmtec](#)

English

[MD_322870_07292015917_dmtec](#)

English

Agency Approvals

[UL Report](#)

English

[UL Report](#)

English