

# HIP4086DEMO1Z

## User's Manual: Demonstration Board

### Industrial Analog and Power

All information contained in these materials, including products and product specifications, represents information on the product at the time of publication and is subject to change by Renesas Electronics Corp. without notice. Please review the latest information published by Renesas Electronics Corp. through various means, including the Renesas Electronics Corp. website (<http://www.renesas.com>).

## HIP4086DEMO1Z

### Demonstration Board

The HIP4086DEMO1Z is a general purpose 3-phase BLDC motor drive with a microprocessor based controller. Hall effect shaft position sensors control the switching sequence of the three 1/2 bridge outputs. The bridge voltage can vary between 12V and 60V and the maximum summed bridge current is 20A (with sufficient air flow). This motor drive can be used as a design reference for multiple applications including e-bikes, battery powered tools, electric power steering, wheel chairs, or any other application where a BLDC motor is used. Because this demonstration board is primarily intended to highlight the application of the [HIP4086](#) 3-phase MOSFET driver with no specific application targeted, the control features are limited to simple functions, such as start/stop, reverse rotation, and braking. Open-loop speed control is implemented. More advanced control features, such as torque control, speed regulation, and regenerative braking are not implemented because these methods require close integration with the characteristics of the load dynamics.

This user manual covers the design details of the HIP4086DEMO1Z with a focus on the design implementation of the HIP4086 driver using recommended support circuits.

This guide also covers the design method of the bipolar current sensing feature. Presently, current sensing on this demonstration board is used only for pulse-by-pulse current limiting. However, an analog signal proportional to the motor current is available on board as a design reference.

The microcontroller firmware is also provided as a reference but the only support offered by Renesas is for bug corrections and for adding more switching sequences. See Microchip for details on the PIC18F2431 usage.

### Specifications

|                          |                                      |
|--------------------------|--------------------------------------|
| Motor topology           | 3-phase BLDC motor with Hall sensors |
| Operating voltage range  | 15VDC to 60VDC                       |
| Maximum bridge current   | 20A (with sufficient air flow)       |
| Hall sensor bias voltage | 5V                                   |
| PWM switching frequency  | 20kHz                                |

### Related Literature

For a full list of related documents, visit our website:

- [HIP4086](#), [ISL6719](#), [ISL8560](#), [ISL28134](#), [ISL28214](#) device pages

### Important Note

Because Hall sensor switching logic sequences for BLDC motors are not all the same, this demo board supports most, if not all, variations of sequence logic. See the sequence charts in "[Selecting the Correct Switching Sequence](#)" on page 17 to verify that your desired sequence is implemented. If you require a different sequence for your specific motor application or if you need help identifying the correct switching sequence for your specific motor, please contact Renesas prior to ordering this demonstration board for possible support for a new switching sequence.

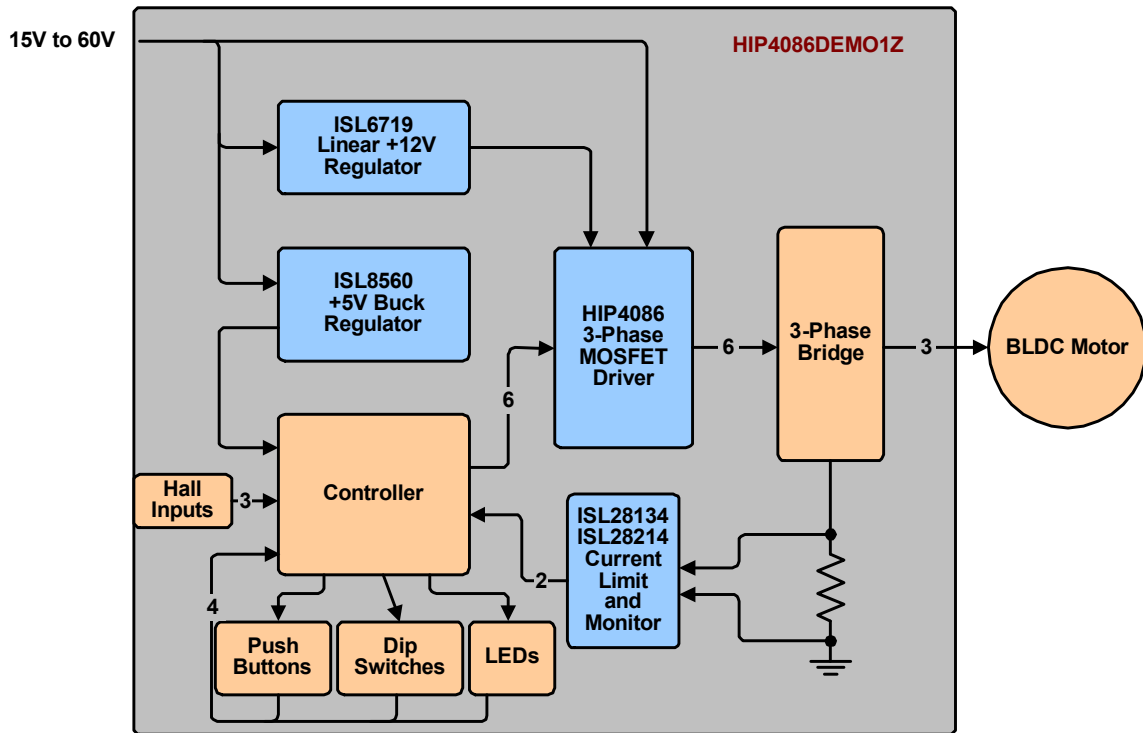


Figure 1. HIP4086DEMO1Z Block Diagram

## 1. Functional Description

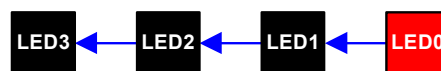
### 1.1 Required and Recommended Lab Equipment

- Lab supply (or battery), 15V minimum to 60V absolute maximum. The current rating of the lab supply must have sufficient capacity for the motor being tested. **Note:** If a battery is the power source, Renesas highly recommends that an appropriate fuse is used.
- Bench fan
- Test motor
- Multichannel oscilloscope, 100 MHz
- Multimeter
- Temperature probe (optional)

**CAUTION:** If the HIP4086DEMO1Z is used for an extended period at high power levels, it may be necessary to use a fan to keep the temperature of the bridge FETs to less than +85°C (as measured on the heat sink plane).

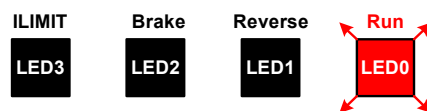
### 1.2 Setup and Operating Instructions

1. Connect the 3-phase motor leads to the MA, MB, and MC terminal blocks. For high current applications, it is recommended that both terminals of each block are used. It is also recommended that during initial setup the motor is **not** mechanically loaded.
2. Connect the HALL sensor leads of the motor to the HA, HB, and HC terminals. The +5V bias and ground leads must all be connected.
3. Rotate the R13 potentiometer to the left (CCW) until it clicks. This sets the starting voltage on the motor to a minimum.
4. Setup the dip switch for the correct switching sequence (see the switching sequence tables in [Figures 18](#) and [19](#)).
5. With a lab supply turned off but previously set to the desired bridge voltage, connect the lab supply (or battery) to the +BATT and -BATT terminal block.
6. Ensure that the motor is securely mounted prior to proceeding with the following steps. Also, do not exceed the maximum rated RPM of your motor.
7. Turn on the lab supply. Observe that the four LEDs turn on and off, one after another. This initial flash of the LEDs indicates that power has been applied. After the initial flash, all LEDs are off. Operation of the motor is now possible. Note that the dip switch options are read at initial turn-on and changing the settings after power is applied has no effect. As an alternative to cycling power, the reset push button can be pressed to re-read the dip switch settings.



At initial turn on, LEDs turn on and off one at a time starting with led0

8. Press the Start/Stop push button once. The Run LED (LED0) blinks, indicating that the motor has been started. At this point, the motor may not be rotating because minimal voltage is being applied to the motor.



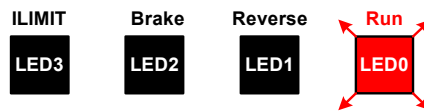
While the motor is rotating, the Run LED is blinking

9. Slowly increase the voltage on the motor by rotating the potentiometer, R13, to the right (CW). At some point the motor starts to rotate slowly. The actual starting voltage is dependent on the specific motor being used.

10. If the motor is vibrating back and forth instead of rotating, it is possible that the Hall sensors or the motor leads were not connected correctly. If the correct switching sequence has been selected, swap two of the motors' leads (or swap two of the Hall sensor leads).
11. Continue to rotate the potentiometer until the motor is running at a moderate speed of roughly 25%. Do not run the motor with maximum voltage until the setup check-out is completed.
12. Press the START/STOP push button again. The motor free wheels to a stop and the blinking LED0 turns off.



13. Press the START/STOP button again. The motor accelerates to the previous run speed (assuming that the potentiometer was not rotated). The blinking LED0 also turns on.



14. While the motor is running, press the Reverse button. The Run LED (LED0) turns off and the Reverse LED (LED1) turns on without blinking. After a short pause while the motor is freewheeling to a stop, the motor restarts rotating in the opposite direction. The Run LED is blinking and the Reverse LED continues to be on.

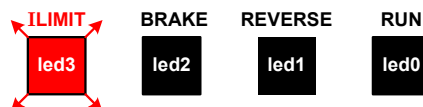


15. Press the Reverse button again. As before, the motor stops. But this time the Reverse LED turns off. After a pause, the motor restarts but this time rotating in the forward direction.
16. While the motor is running, the motor can be hard braked by pressing the Brake push button. The Brake LED (LED2) is on without blinking. When the motor is restarted, the Brake LED turns off.



**CAUTION: The braking method implemented turns on all of the low-side bridge FETs simultaneously. This forces the motor to a very rapid stop. If the motor is loaded, or if the motor is not designed for a rapid stop, mechanical damage to the motor or the load can result. If you are not sure about using this braking method, only apply the brake when the motor speed is relatively slow.**

17. If while operating, the motors turns off and the ILIMIT LED (LED3) is blinking, the current limit shut-down has been activated after 255 consecutive pulse-by-pulse current limits. This can happen if the motor speed is accelerated too quickly, or if there is a fault with the motor or connections, or if the motor is stalled.



It is now safe to proceed with testing at higher power levels speeds.

### 1.3 Test Mode

To validate the correct performance of the HIP4086DEMO1Z, a built-in test procedure can be used to verify that the board is fully functional. A 50V, 200mA lab supply and an oscilloscope are necessary to perform this test. No

motor is required and should **not** be connected. Each individual test section must be valid before proceeding to the next step. Stop testing at any failure.

### 1.3.1 Test Mode Setup

1. Connect a ~75mm (3 inch) wire to the GND terminal close to the HA, HB, HC terminal block.
2. Set up a scope with the vertical scale = 20V/div and the time base = 10µs/div. Three probes are recommended but not absolutely necessary.
3. Adjust the lab supply to the 50V<sub>DC</sub> and 200mA current limit.
4. With the lab supply turned off, connect to the +BATT and -BATT terminal inputs of the HIP4086DEMO1Z board.
5. Set dip switch positions 1 through 4 to on.
6. While simultaneously pressing the Brake and Reverse push buttons, turn on the lab supply.
7. If LED0 and LED3 are flashing or if no LEDs are on, the test mode was not initiated correctly, the board is faulty, or the microcontroller is not programmed. To confirm, restart the test mode setup. If one or more LEDs are on **without** flashing, the test mode is now active. At this point the binary combination of the on LEDs indicates the **version number** of the firmware (see [Figure 2](#)). [Figure 3](#) shows other examples of faulty setup or failed test results.

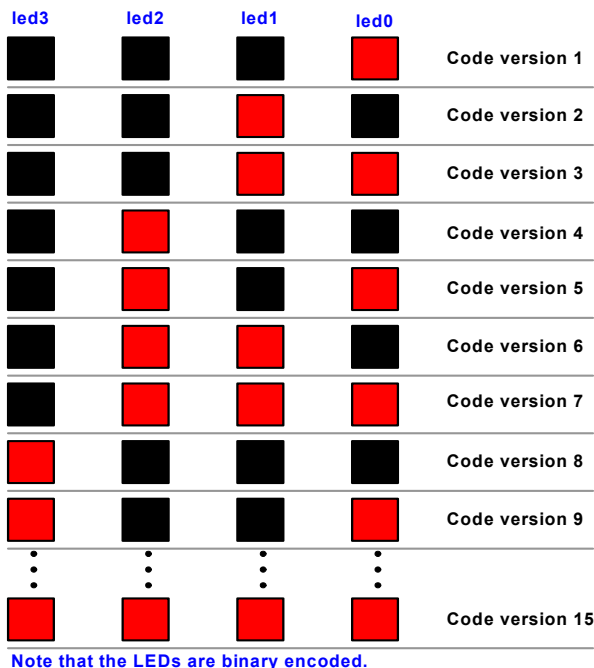


Figure 2. Code Version Numbers

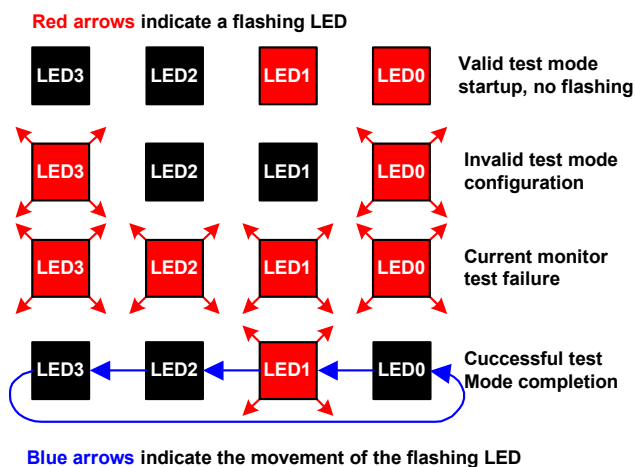


Figure 3. Examples of LED Test Status

### 1.3.2 Push-Button Test

1. Press the START/STOP button. All four LEDs should turn on.
2. Press the START/STOP button again. Led0 should turn off.
3. Press the Reverse button. Led1 should turn off.
4. Press the Brake button. Led2 should turn off.
5. Press the Brake button again. Led3 should turn off. At this point all four LEDs are off and correct operation of the push buttons is confirmed.

### 1.3.3 Hall Inputs and Bridge Tests

#### 1.3.3.1 MA Output Test

- Using the 75mm wire, short the HA terminal input to ground. LED0 should turn on.
- While the HA input is grounded, observe the following waveforms in [Figure 4](#), on the MA, MB, and MC terminals.

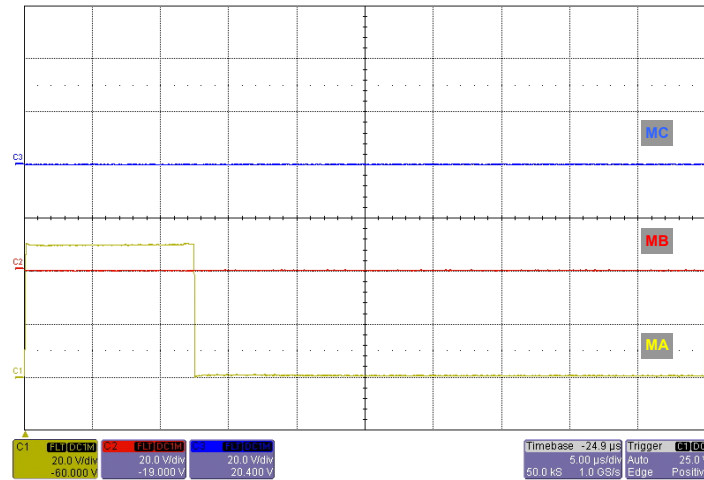


Figure 4. Waveforms on MA, MB, and MC with HA Grounded

- [Figure 5](#) illustrates incorrect waveforms. There should not be any switching on MB and MC while MA is low. At the very edge of MA falling, there may be a small amount of induced switching noise.

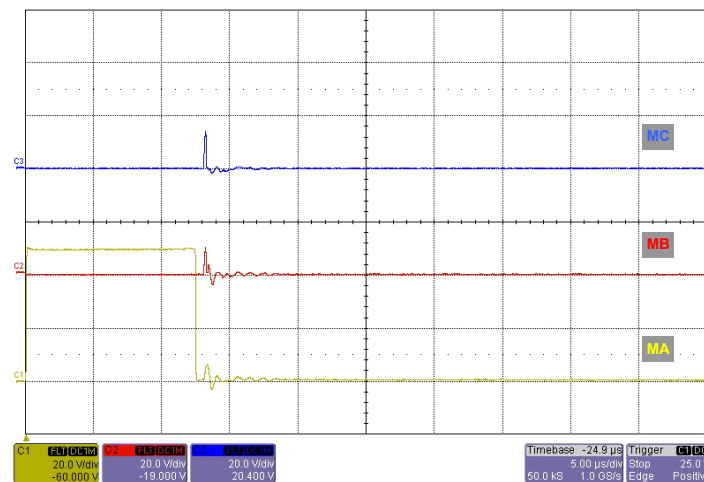
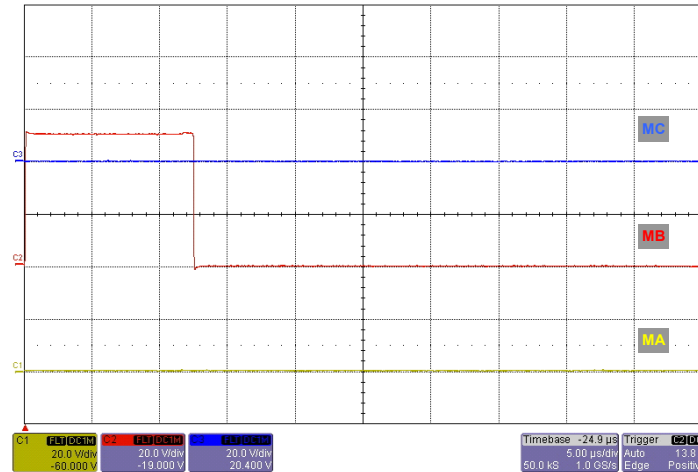


Figure 5. Waveforms on MA, MB, and MC with HA Grounded

- While the HA input is grounded, observe that the lab supply current is < 45mA.

**1.3.3.2 MB Output Test**

- Using the 75mm wire, short the HB terminal input to ground. Led1 should turn on.
- While the HB input is grounded, observe the following waveforms on the MA, MB, and MC terminals. As the example in [Figure 6](#) shows, there should be no switching disturbances on MC and MA.

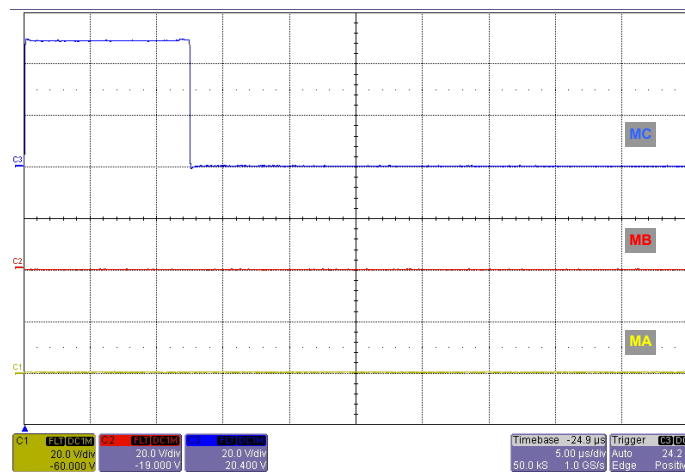


**Figure 6. Waveforms on MA, MB, and MC with HB Grounded**

- While the **HB** input is grounded, observed that the lab supply current is <45mA.

**1.3.3.3 MB Output Test**

- Using the 75mm wire, short the **HC** terminal input to ground. Led2 should turn on. After a short pause, LED3 also turns on. At this point, all four LEDs are on.
- While the **HC** input is grounded, observe the following waveforms on the MA, MB, and MC terminals. As the example in [Figure 7](#) shows, there should be no switching disturbances on MB and MA.



**Figure 7. Waveforms on MA, MB, and MC with HC Grounded**

- While the **HC** input is grounded, observe that the lab supply current is < 45mA.



### 1.3.4 Dip Switch Test

1. Move each dip switch, one at a time starting with position 1, to the off position.
2. Observe that LED0, LED1, LED2, and LED3 turn off one at a time in sync with the dip switches being turned off.

### 1.3.5 Potentiometer Test

1. After a short pause, all LEDs turn on if the potentiometer is turned fully to the right (CW). If the LEDs are not on, rotate the potentiometer to the right until all LEDs turn on or when the potentiometer starts to click. If all LEDs do not turn on, the board is faulty.
2. After all the LEDs turn on, rotate the potentiometer to the left (CCW). Observe that LED3, LED2, LED1, and LED0 turn off sequentially as the potentiometer is rotated towards the minimum voltage setting.

### 1.3.6 Current Monitor Test

1. This final test is performed automatically after the potentiometer test. No inputs from the test operator are necessary. If successful, all four LEDs are sequentially flashing one at a time. If not successful, all four LEDs flash simultaneously.

## 2. Theory of Operation

The HIP4086DEMO1Z demonstration board is a general purpose 3-phase BLDC motor controller. Three half bridge power circuits drive the motor as shown in [Figure 8](#).

Three 6-step bridge state logic diagrams, illustrated in [Figure 9 on page 11](#), drive the motor. The bridge state logic diagrams represents the logic status of the each half bridge but the actual voltage applied to the motor appears much differently. [Figure 10 on page 11](#) illustrates the bridge status logic vs the actual voltage waveforms applied to each motor lead.

The HIP4086 has six driver outputs, AHO, ALO, BHO, BLO, CHO, and CLO, to control the six bridge FETs individually. If the gate drives for both FETs of one half bridge are low, current does not flow in the corresponding motor lead (high impedance or Hi-**Z**). If the gate drive for the low FET is high and the gate drive for the high FET is low, the phase node of that half bridge, and the corresponding motor lead, is connected to ground (**L**ow). If the low and high gate drives are complementary driven, the phase node can be Pulse-Width Modulated (**P**WM) to control the average voltage on that motor lead.

The motor rotation period and the amplitude of the bridge voltage waveforms are modified by the microcontroller to control the speed of the motor. Pulse-width modulation modifies the amplitude of the voltage waveforms and the motor rotation period is established by the shaft position hall sensors that signal the controller to change the switching sequence. Typical hall sensor logic is illustrated in [Figure 9](#). Each hall logic diagram, HA, HB, and HC, correspond respectively to the bridge state logic diagrams, MA, MB, and MC. For example, the transition of the hall sensor logic, from Step 1 to 2, results with the drive waveform transition of **ZLP** to **PLZ** where **P**, **L**, and **Z** define the state of each half bridge.

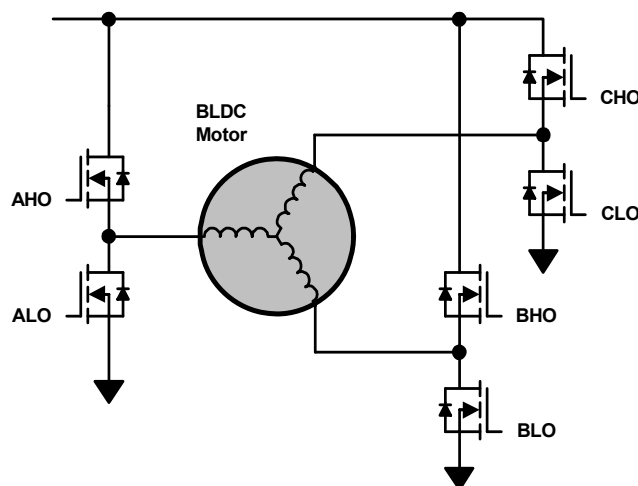


Figure 8. Basic BLDC Motor Power Topology

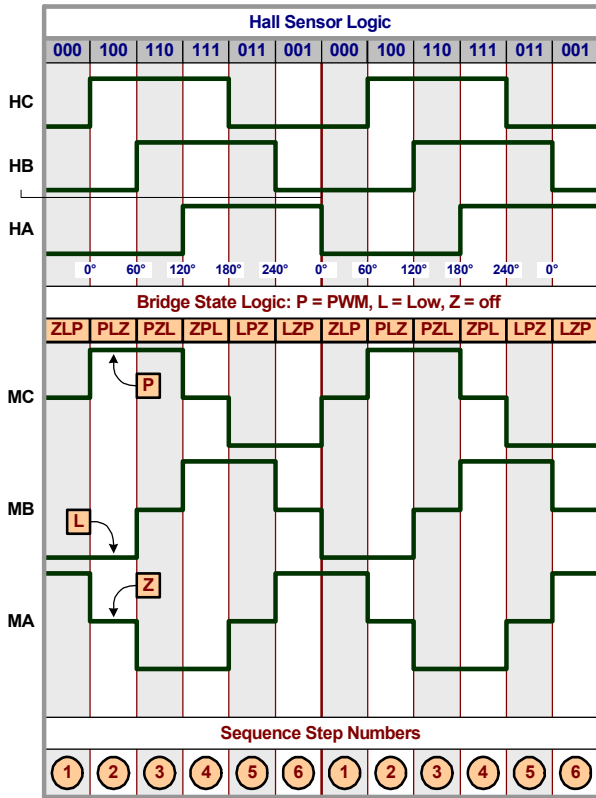


Figure 9. Hall Sensor Logic vs Bridge State Logic

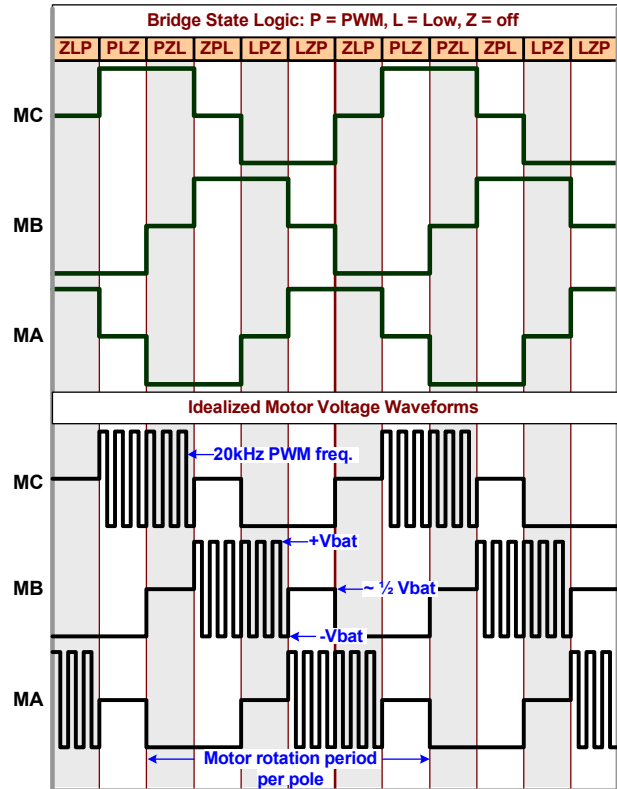


Figure 10. Bridge State Logic vs Motor Voltage

### 2.1 Switching Sequence Phase Currents

The following motor winding diagrams illustrate how currents flow in a 3-phase BLDC motor during each switching period of the 6-step voltage waveform. These diagrams are for a very simple motor with only six stator poles. Most 3-phase motors have more stator poles (multiples of six) to reduce torque modulation (cogging) but the principles of operation are the same.

Each phase winding is color coded and black arrows indicate the direction of positive current in that winding for each step. As described in [Figure 11 on page 12](#), the half bridge state of each motor lead, MA, MB, or MC, is labeled with **P**, **L**, or **Z**. Observe that the active coils are highlighted. The inactive coils (those with no current) are white.

The dark gray structures are the permanent magnets that are mounted on the light gray rotor. The bold black arrow is the flux vector of the permanent magnets. The bold dark blue arrow is the magnetic flux vector generated by the active coils for each waveform step. The switching step occurs when these two vectors are perpendicular for maximum torque. Notice how the flux vectors are rotating counter clockwise, 60° for each step.

This tutorial for BLDC motors is very fundamental. For more information about a specific motor, please contact the motor manufacturer.

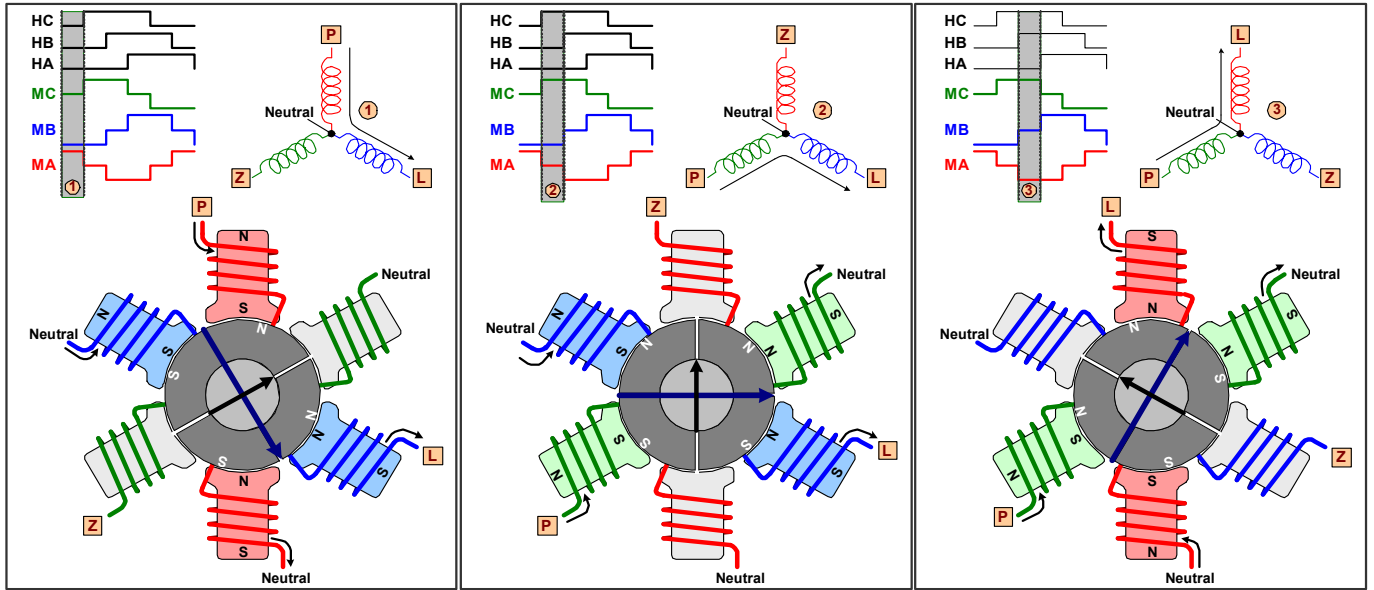


Figure 11. Sequence Steps 1 to 3

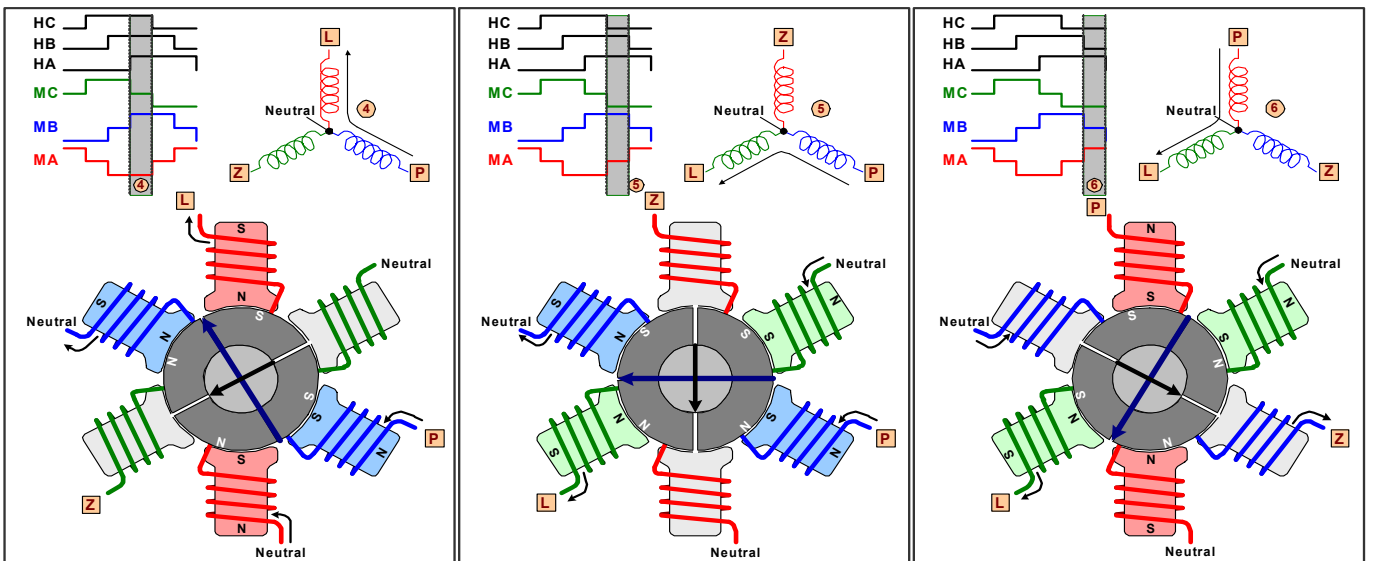


Figure 12. Sequence Steps 4 to 6

## 2.2 HIP4086 Circuit Description

In the following discussion, xHI, xLI, xHO, xLO, and xHS is a short hand notation where the x can be replaced with A, B, or C. An “x” pin implies that the reference is applicable to the corresponding A, B, or C pins of the driver.

The simplified schematic of [Figure 13](#) illustrates the three power stages of the motor driver. Each phase is identical in component selection. For specific component values and complete circuit details, see [“Bill of Materials” on page 21](#) and [“PCB Layout” on page 27](#).

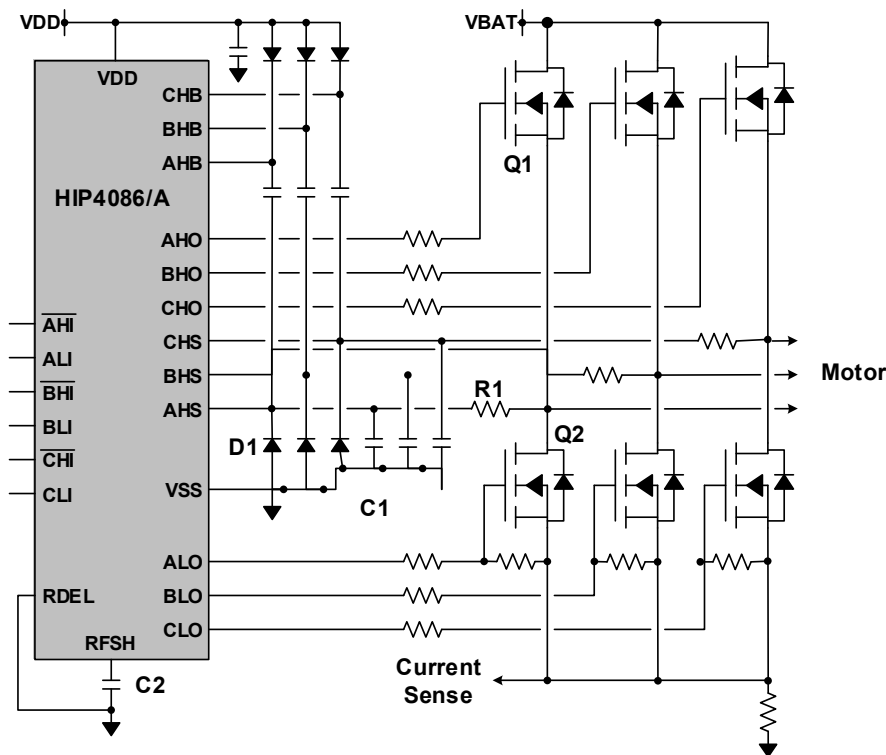


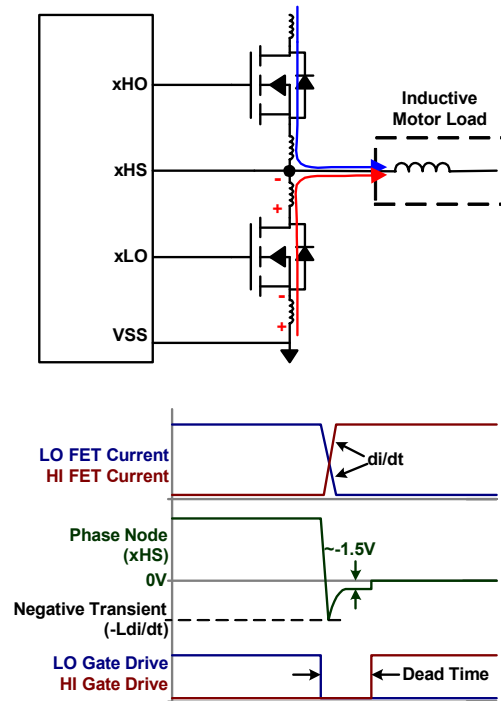
Figure 13. Simplified 3-Phase Bridge

Series connected gate resistors on each bridge FET reduce the switching speed to help minimize EMI radiating from the power leads to the motor. You can change these values if needed, keeping in mind that if the gate resistors are made larger, the turn off delays of the FETs also increase, which may require additional dead time.

All of the xHS pins have recommended external snubber circuits and negative voltage clamps to ensure that safe operating conditions are always maintained over-temperature and loading conditions.

For example, D1 in [Figure 13](#) functions as a negative voltage clamp on the AHS pin. Frequently, circuit designers overlook the negative transients on the xHS pins that occur when the high-side bridge FET turns off. This rapid  $di/dt$  transition of the current from Q1 to Q2 develops a negative voltage transient as a result of the parasitic inductance in the low-side FET power current path (see [Figure 14 on page 14](#)).

R1 on the AHS pin is necessary to limit the current in D1 during the dead time because without this resistor, D1 is essentially in parallel with the body diode of Q1. During the dead time, the commutating negative current in the body diode results with approximately a -1.5V conduction voltage (with large amplitude motor currents). Because the conduction voltage of D1 (~0.6V) is less than the body diode, R1 limits the current that would flow in D1 during the dead time to safe levels. Note that when the low-side bridge FET is turned on, the negative voltage across the FET is greatly reduced because the conduction voltage of the FET channel is typically much less than the conduction voltage of the body diode. This results with a negative conduction voltage much less than 0.6V and consequently, significant current flows in D1 only during the dead time.



**Figure 14. Negative Transient on xHS**

C1 in parallel with D1 in [Figure 13 on page 13](#) reduces the  $dv/dt$  on the xHS pin and also filters high frequency oscillations that occur on xHS because of parasitic inductance and capacitance on the this node. Clean transitions on xHS ensures fail-safe operation of the HIP4086 driver.

As an alternative to these capacitors on the xHS pins, the gate resistors of the bridge FETs can be made larger to reduce the switching speed but at the expense of more switching losses in the bridge FETs.

The HIP4086 has a refresh pulse feature that ensures that the boot capacitors are biased prior to driving on the high-side drivers. The refresh pulse occurs only once when bias is applied to the driver. The HIP4086 refresh feature is not needed when a programmable controller is used, but because this feature cannot be turned off, C32 ensures noise is not a problem with this pin, which is both an output and an input.

In this design, the built-in dead time feature of the HIP4086 is not used (because the microcontroller has a programmable dead time function set to  $1\mu s$ ). A hardware option on the board does allow the dead time function of the HIP4086 to be used if needed. It can be used to further increase the  $1\mu s$  programmed dead time if required.

See the [HIP4086](#) datasheet for additional application information.

### 2.3 Current Monitor and Current Limit

There are two current control features in the HIP4086DEMO1Z. A linear current monitor op amp, U2, amplifies the voltage across R23 and R24. This op amp is configured as a true differential amplifier to allow Kelvin connections across the current sensing resistors (see [Figure 15 on page 15](#)). R15 and R3, each  $32.4k\Omega$ , have a Thevenin equivalent value that is the parallel value of R15 and R3 (or  $1/2$  of  $32.4k\Omega$ ). The Thevenin equivalent voltage also is  $1/2$  of the bias voltage of 5V. Consequently, the output of the differential amplifier is offset by +2.5V (see [Figure 16 on page 15](#)).

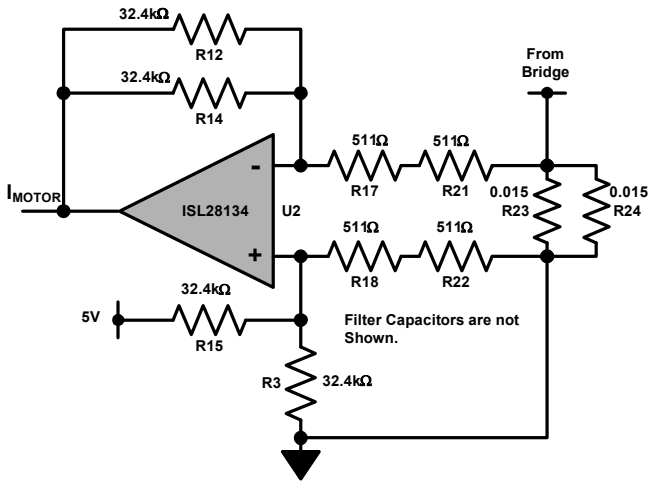


Figure 15. Differential Current Monitor Amplifier

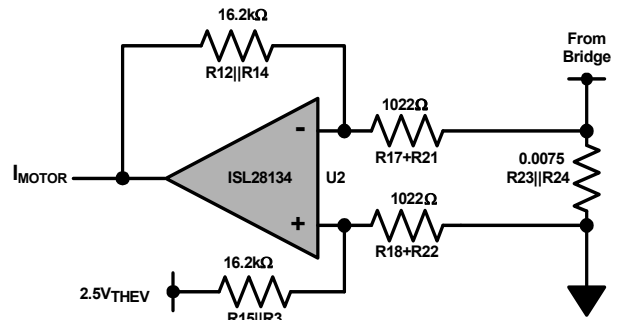


Figure 16. Thevenin Equivalent Differential Amplifier

The current monitor output,  $I_{MOTOR}$ , digitized by the microcontroller, can be used to control the torque of the motor or to limit the battery recharging current during regenerative braking. Because of the offset voltage on the current monitor output, signals above  $2.5V_{DC}$  represents positive motor current and signals less than  $2.5V_{DC}$  represent negative motor current. **Note:** This hardware feature is provided for customer use but is not implemented in the microcontroller firmware.

The output voltage of the differential amplifier is:

$$(EQ. 1) \quad V_{out_{CS}} = [(R12||R14) / (R17+R21)] \times I_M \times (R23||R24) + R3 / (R3+R15) \times 5V$$

where  $I_M$  is the bridge current (motor current),  $R12||R14 = R15||R3$ , and  $(R17+R21) = (R18+R22)$  (as required for the differential amp topology).

Using the default values of the HIP4086DEMO1Z:

$$V_{out_{CS}} = [(16.2k\Omega)/(1022)] \times I_m \times (0.0075) + 32.4k\Omega/(64.8k\Omega) \times 5V$$

or

$$(EQ. 2) \quad V_{out_{CS}} = 0.119 \times I_M + 2.5V$$

For 20A,  $V_{out_{CS}} = 4.878V$ . For -20A,  $V_{out_{CS}} = 0.122V$ .

The  $I_{motor}$  signal is monitored by two comparators (see [Figure 17 on page 16](#)). The output of the upper U3 comparator is biased to go low when the motor current > 20A. Conversely, the output of the lower comparator is biased to go low when the motor current is  $\leq 20A$ .

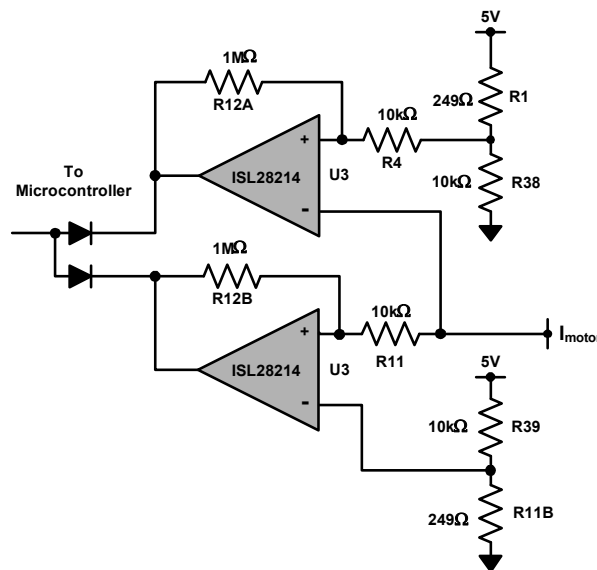


Figure 17. Pulse-by-Pulse Current Limit Comparators

The OR'ed outputs of these two comparators is monitored by the microcontroller. Pulse-by-pulse current limiting is provided on each negative transition. After 256 consecutive pulse limits, all the bridge FETs are permanently turned off and the current limit alarm LED (LED3) is turned on.

There are two different methods to change the pulse-by-pulse current limit. The easiest method is to change the value of the current sensing resistors R23 and R24. For example, removing R24 halves the pulse-by-pulse current limit to  $\pm 10\text{A}$  while not affecting the full scale  $I_{\text{MOTOR}}$  output signal.

[Equation 3](#) calculates the value of the current sensing resistors to set the pulse-by-pulse current limit at the desired level without changing the full scale output voltage swing of the  $I_{\text{MOTOR}}$  signal. This equation assumes that the only change made to the HIP4086DEMO1Z is modifying the values of the current sensing resistors R23 and R24.

$$\text{(EQ. 3)} \quad R23 \parallel R24 = 4.878\text{V} - 2.5\text{V} \times 1.022\text{k}\Omega / (16.2\text{k}\Omega \times I_m)$$

For example: for  $I_{\text{LIMIT}} = \pm 5\text{A}$ ,

$$R23 \parallel R24 = 4.878\text{V} - 2.5\text{V} \times 1.022\text{k}\Omega / (16.2\text{k}\Omega \times 5\text{A})$$

$$R23 \parallel R24 = 0.030\Omega$$

An alternative method for changing the pulse-by-pulse current limit is to modify the threshold bias voltages on the comparators. This option is only recommended if appropriate small value resistors for current sensing are not readily available for lab evaluation of the HIP4086DEMO1Z. Note that the full scale output swing of the current diff amp is not realized with this method.

The threshold bias resistors for the positive current limit are R1 and R38. R39 and R11B are for the negative current limit. The required threshold is determined by [Equation 2 on page 15](#) for the desired  $I_m$  value. For example, the  $V_{\text{outCS}}$  value for pulse-by-pulse current limit at 5A is:

$$V_{\text{outCS}} = 0.119 \times 5\text{A} + 2.5\text{V} = 3.095\text{V}$$

[Equation 4](#) sets the positive current limit bias voltage.

$$\text{(EQ. 4)} \quad R1 = 5\text{V} \times R38 / (0.119 \times I_m + 2.5\text{V}) - R38$$

For pulse-by-pulse positive current limit = 5A and R38 = 10kΩ, R1 = 6.155kΩ.



Equation 5 sets the negative current limit bias voltage.

$$(EQ. 5) \quad R11B = R39 \times (0.119 \times I_m + 2.5V) / (2.5 - 0.119 \times I_m)$$

For pulse-by-pulse positive current limit = -5A and R39 = 10kΩ, R11B = 6.155kΩ.

In the previous examples both the positive and negative current limit value are equal in absolute values. It is acceptable to have different limits for the positive and negative values.

### 2.4 Selecting the Correct Switching Sequence

In the discussion describing the operation of a BLDC motor, a specific hall logic pattern was used in Figure 9 on page 11. Unfortunately, not all BLDC motors use this logic pattern. In all cases, the three hall signals are phase shifted by 60° but the logic polarity can be different. Also, because the 0° start position is not standardized, two rotation cycles are illustrated so that any start position can be identified.

The following charts define all possible combinations of hall logic. It is necessary that the hall sensor logic that matches your motor is selected by correctly setting the dip switch prior to applying power to the HIP4086DEMO1Z. Known specific motor part numbers are labeled in green boxes (see Figure 18).

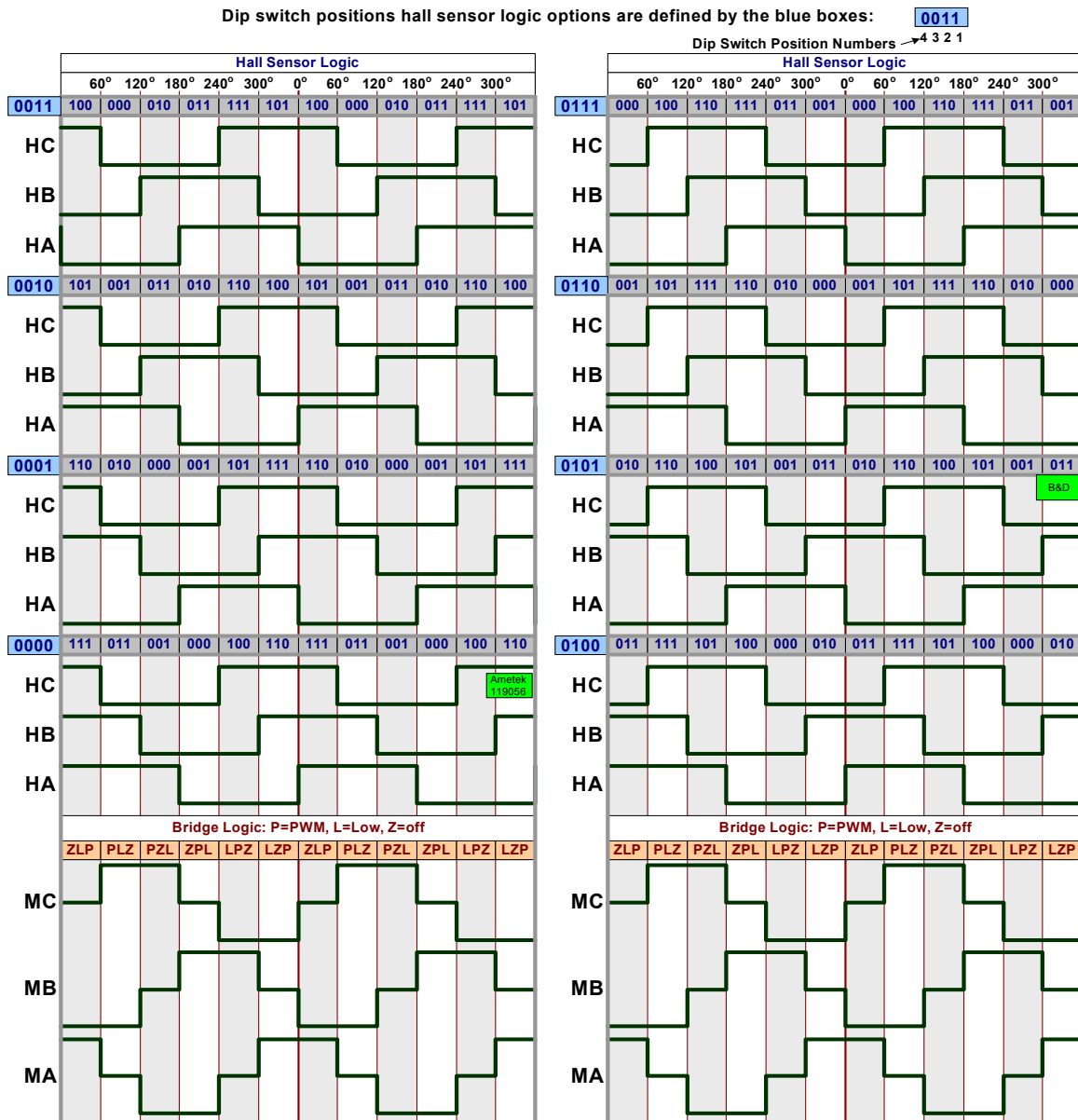


Figure 18. Hall Logic Options, First Chart

Notice that the dip switch settings for these Hall sensor logic charts (Figure 19) are the same as Figure 18. This is not an error.

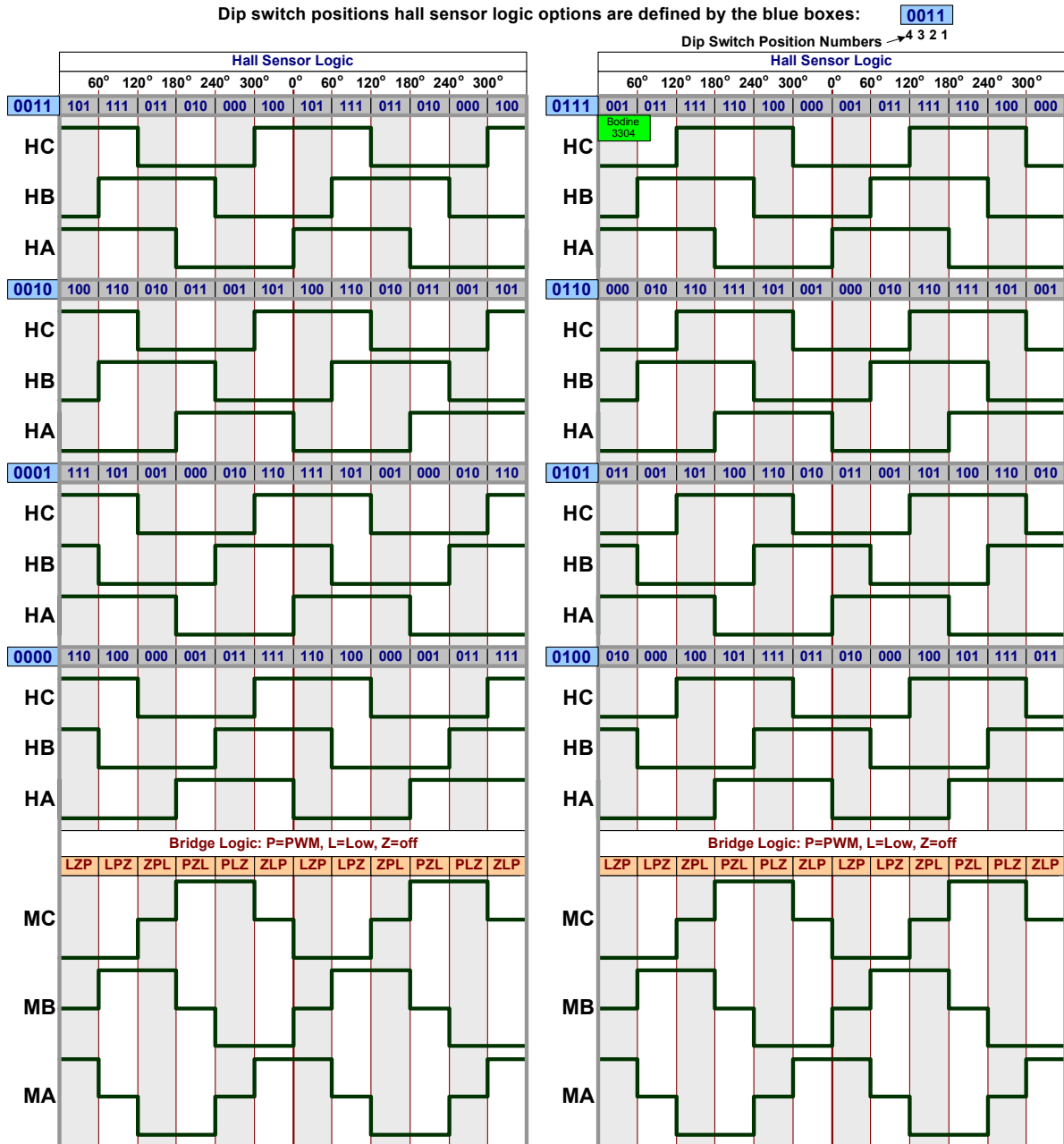


Figure 19. Hall Logic Options, Second Chart

### 3. Board Layout

The HIP4086DEMO1Z board is 102mm by 81mm. The tallest component is a 470 $\mu$ F capacitor. The total height is 24mm with standoffs or 18.5mm without standoffs. The Hall effect shaft position sensor inputs are miniature terminal blocks and the high current outputs are larger terminal blocks that are rated for 20A.

Four push-buttons are used for reset, brake, reverse, and start/stop functions. An on-board potentiometer adjusts the duty cycle of the applied motor voltage or an optional external potentiometer can be connected to a signal terminal block located adjacent to the Hall terminal blocks.

The switching sequence selection dip switch is used for various purposes but the most important function is to select the desired switching sequence. See the [“Setup and Operating Instructions” on page 4](#) for more information.

For those customers who would like to modify the firmware of the PIC18F2431 microcontroller, an RJ25 connector is provided for easy connection with Microchip firmware development tools (not provided or supported by Renesas).

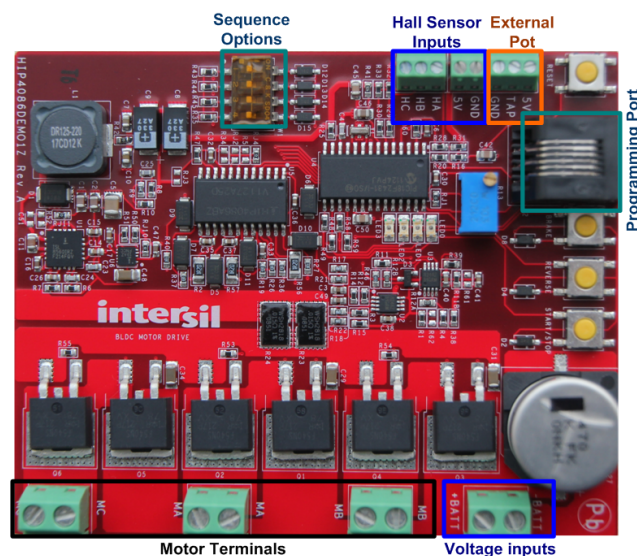


Figure 20. HIP4086DEMO1Z Inputs and Outputs

The HIP4086DEMO1Z is composed of six major circuits illustrating the use of several Renesas products.

#### 3.1 Bias Supplies

The ISL8560 is a buck regulator with integrated power FETs that provides +5V bias for the microcontroller, dip switches, push buttons, LEDs, and the current monitor/limit circuits. The ISL6719 is a linear regulator that provides 12V bias for the HIP4086 3-phase MOSFET driver. See the [ISL8560](#) datasheet or the [ISL6719](#) datasheet for application information.

#### 3.2 HIP4086

The HIP4086 drives three bridge pairs of F540NS power FETs with a PWM frequency of 20kHz. Associated with the HIP4086 are the necessary support circuits such as the boot capacitors and boot diodes. Recommended negative voltage clamping diodes on the xHS pins are also provided.

#### 3.3 MicroController

The Hall sensor inputs are decoded by the microcontroller to provide the appropriate switching sequence signals to the HIP4086 to drive the six F540NS bridge FETs that are connected to a 3-phase BLDC motor. In addition to decoding the Hall sensors, the microcontroller also multiplexes the dip switches (for switching sequence options), the push buttons (for various control functions of the motor), and the LED status lights.

The on-board potentiometer (or an optional external pot) is monitored by the microcontroller to provide a duty cycle to the motor that is proportional to the tap voltage of the potentiometer and varies between 0% and 100% duty cycle. This proportional duty cycle is open loop and is independent of the bridge voltage. Consequently, any motor voltage between 15V and 60V can be used with this demo board.

The microcontroller firmware is provided as a reference but the only support offered by Renesas is for bug corrections and for adding more switching sequences. All firmware revisions for this demo board can be found on the website. The firmware revision of your demo board can be determined by referring to the [“Test Mode Setup” on page 6](#).

### 3.4 Current Sensing/Current Limit

Two op-amps are used for current monitoring and current limiting. An ISL28134 low noise, low offset op-amp is configured as a differential amplifier for Kelvin connections across the current-sensing resistor. The diff-amp is also biased so that zero bridge current results with an output voltage that is 1/2 of the +5V bias. Consequently, positive bridge currents results with a current monitor signal that is greater than 2.5V (up to ~5V). Negative bridge currents (that occur with regenerative braking) is less than 2.5V (down to a minimum of ~0V). This “bipolar” analog signal can be monitored by the microcontroller for purposes, such as torque control and/or regenerative braking.

The output of the analog differential amplifier is connected to two ISL28214 op-amps configured as outside window comparators for pulse-by-pulse current limiting for either positive or negative current. The OR’ed comparator outputs are sent to the microcontroller for processing.

### 3.5 3-Phase Bridge

The 3-phase bridge is composed of six F540NS power MOSFETS (100V, 33A). Each FET is driven by one of the six driver outputs of the HIP4086. Dead time is provided by the controller (optionally, dead time can be provided by the HIP4086).

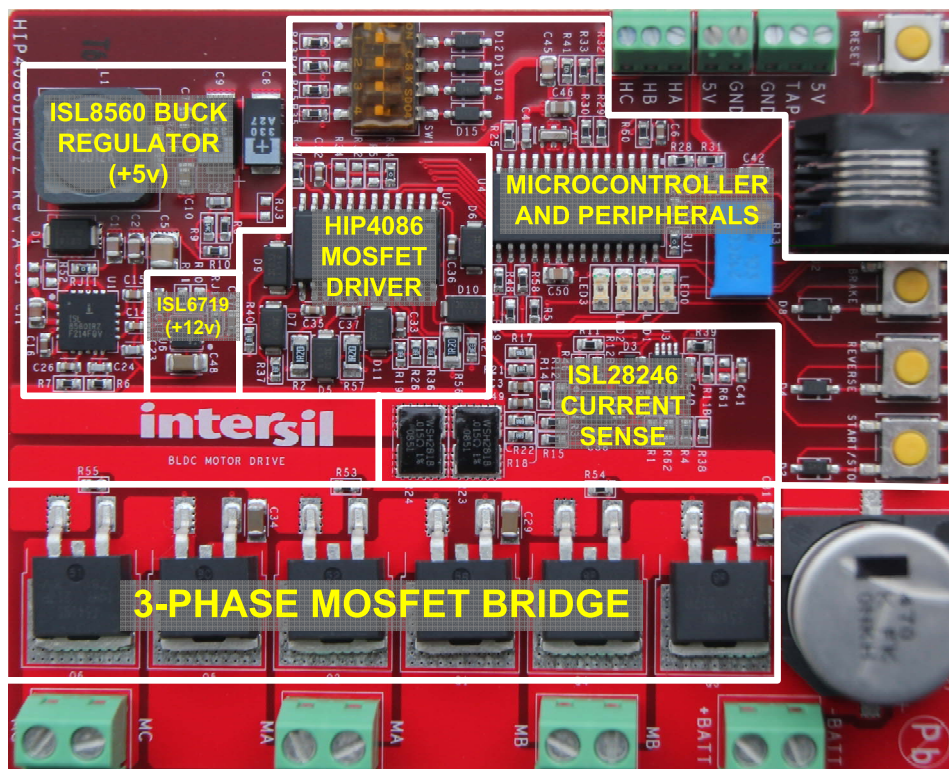


Figure 21. Major Circuit Locations

### 3.6 Bill of Materials

| Part Number        | Reference Designator              | Qty | Value        | Tol. (%) | Voltage | Power | Package Type | Jedec Type          | Manufacturer    | Description                             |
|--------------------|-----------------------------------|-----|--------------|----------|---------|-------|--------------|---------------------|-----------------|---|
| 10TPE330M          | C8, C9                            | 2   | 330 $\mu$ F  | 10       | 10V     |       | SMD          | CAP_7343            | SANYO-POSCAP    | TPE SERIES LOW ESR PRODUCTS CAP         |
| 1725656            | TB3                               | 1   |              |          |         |       | 2MNT         | CON_TERM_MPT_2POS   | PHOENIX-CONTACT | 100 Mil Micro-Pitch Terminal Block      |
| 1725669            | TB1,TB2                           | 2   |              |          |         |       | 3MNT         | CON_TERM_MPT_3POS   | PHOENIX-CONTACT | 100 Mil Micro-Pitch Terminal Block      |
| 1729018            | TB4-TB7                           | 4   |              |          |         |       | 2            | CON_TERM_MKDSN_2POS | PHOENIX-CONTACT | 200 Mil PCB Connector Terminal Block    |
| 1N4148W-7-F        | D2, D4, D8, D12-D15               | 7   |              |          |         |       | SOD          | SOD123              | DIODES          | Fast Switching Diode (RoHS COMPLIANT)   |
| 3299W-1-103-LF     | R13                               | 1   | 10k $\Omega$ | 10       |         | 1/2W  | RADIAL       | RES_POT_3299W       | BOURNS          | TRIMMER POTENTIOMETER (RoHS COMPLIANT)  |
| 555165-1           | J2                                | 1   |              |          |         |       | 6M2          | CON_JACK_555165-1   | TYCO            | Phone Jack Connector                    |
| 597-3111-402       | LED0-LED3                         | 4   |              |          |         |       | SMD          | DIA_LED1206         | Dialight        | Surface Mount Red LED                   |
| B280               | D1                                | 1   |              |          |         |       | SMD2         | DIO_SMB             | DIODES          | 2A 80V SCHOTTKY BARRIER RECTIFIER       |
| B3S-1002           | BRAKE, RESET, REVERSE, START/STOP | 4   |              |          |         |       | SMD          | SW_B3S-1002         | OMRON           | Momentary Pushbutton Tactile SMT Switch |
| BAT54A             | D3                                | 1   |              |          |         |       | COMMON-ANODE | SOT23               | DIODES          | 30V SCHOTTKY DIODE                      |
| C0805C106K8PACTU   | C7, C10                           | 2   | 10 $\mu$ F   | 10       | 10V     |       | 805          | CAP_0805            | KEMET           | MULTILAYER CAP                          |
| C1608X7R1C105K     | C16, C33, C47                     | 3   | 1 $\mu$ F    | 10       | 16V     |       | 603          | CAP_0603            | TDK             | MULTILAYER CAP                          |
| C1608X7R1H104K     | C15                               | 1   | 0.1 $\mu$ F  | 10       | 50V     |       | 603          | CAP_0603            | TDK             | MULTILAYER CAP                          |
| C3225X7R2A105M     | C5                                | 1   | 1 $\mu$ F    | 20       | 100V    |       | 1210         | CAP_1210            | TDK             | Ceramic Chip Cap                        |
| CSTCE10M5G55       | Y1                                | 1   |              |          |         |       | SMD          | CSTCE12M            | MURATA          | 10MHz CERALOCK Resonator                |
| DR125-220-R        | L1                                | 1   | 22.0 $\mu$ H | 20       |         | 4.71A | SMD          | IND_DR125           | COOPER-BUSSMANN | High Power Density Shielded Inductor    |
| EEVFK1K471M        | C27                               | 1   | 470 $\mu$ F  | 20       | 80V     |       | SMD          | CAPAE_708X650       | PANASONIC       | Aluminum Elect SMD Cap                  |
| ES1B               | D5-D7, D9-D11                     | 6   |              |          |         |       | DO214        | DO214_AC            | FAIRCHILD       | 1A 150V Fast Rectifier Diode            |
| GRM21BR71C475KA73L | C42, C45, C46, C50                | 4   | 4.7 $\mu$ F  | 10       | 16V     |       | 805          | CAP_0805            | MURATA          | CERAMIC CAP                             |

| Part Number | Reference Designator                               | Qty | Value          | Tol. (%) | Voltage | Power | Package Type | Jedec Type | Manufacturer | Description                                |
|-------------|--|-----|----------------|----------|---------|-------|--------------|------------|--------------|--|
| GENERIC     | C4   | 1   | 100PF          | 10       | 25V     |       | 603          | CAP_0603   | Various      | MULTILAYER CAP                             |
| GENERIC     | C23, C25   | 2   | 100PF          | 10       | 50V     |       | 603          | CAP_0603   | Various      | MULTILAYER CAP                             |
| GENERIC     | C14, C30, C41                                      | 3   | 0.01 $\mu$ F   | 10       | 50V     |       | 603          | CAP_0603   | Various      | Multilayer Cap                             |
| GENERIC     | C38, C40   | 2   | 0.1 $\mu$ F    | 10       | 25V     |       | 603          | CAP_0603   | Various      | Multilayer Cap                             |
| GENERIC     | C17  | 1   | 220pF          | 10       | 50V     |       | 603          | CAP_0603   | Various      | Multilayer Cap                             |
| GENERIC     | C35-C37  | 3   | 0.22 $\mu$ F   | 10       | 16V     |       | 603          | CAP_0603   | Various      | Multilayer Cap                             |
| GENERIC     | C24  | 1   | 390pF          | 10       | 50V     |       | 603          | CAP_0603   | Various      | Multilayer Cap                             |
| GENERIC     | C26  | 1   | 470pF          | 10       | 100V    |       | 603          | CAP_0603   | Various      | Multilayer Cap                             |
| GENERIC     | C32  | 1   | 470pF          | 10       | 50V     |       | 603          | CAP_0603   | Various      | Multilayer Cap                             |
| GENERIC     | C3, C49  | 2   | 4700pF         | 10       | 50V     |       | 603          | CAP_0603   | Various      | Multilayer Cap                             |
| GENERIC     | C6   | 1   | 0.047 $\mu$ F  | 10       | 25V     |       | 603          | CAP_0603   | Various      | Multilayer Cap                             |
| GENERIC     | C51  | 1   | OPEN           | 5        | OPEN    |       | 603          | CAP_0603   | Various      | Multilayer Cap                             |
| GENERIC     | C1, C2, C11  | 3   | 0.1 $\mu$ F    | 10       | 100V    |       | 805          | CAP_0805   | Various      | Multilayer Cap                             |
| GENERIC     | C29, C31, C34, C48                                 | 4   | 1 $\mu$ F      | 10       | 100V    |       | 1206         | CAP_1206   | Various      | Multilayer Cap                             |
| GENERIC     | R5, R34, R52, R61, R62                             | 5   | DNP            | 1        |         | DNP   | 603          | RES_0603   | Various      | Metal Film Chip Resistor (Do Not Populate) |
| GENERIC     | RJ2, RJ3   | 2   | DNP            | 0.10     |         | DNP   | 603          | RES_0603   | Various      | Metal Film Chip Resistor (Do Not Populate) |
| GENERIC     | R19, R26, R27 ,R36, R37, R40                       | 6   | 33             | 5        |         | 1/16W | 603          | RES_0603   | Various      | Thick Film Chip Resistor                   |
| GENERIC     | RJ1  | 1   | 0              | 0        |         | 1/16W | 603          | RES_0603   | Various      | Thick Film Chip Resistor                   |
| GENERIC     | R42, RJ4, RJ10, RJ11                               | 4   | 0              | 1        |         | 1/16W | 603          | RES_0603   | Various      | Thick Film Chip Resistor                   |
| GENERIC     | R46  | 1   | 100            | 1        |         | 1/16W | 603          | RES_0603   | Various      | Thick Film Chip Resistor                   |
| GENERIC     | R47-R49, R51, R58-R60                              | 7   | 1k $\Omega$    | 1        |         | 1/16W | 603          | RES_0603   | Various      | Thick Film Chip Resistor                   |
| GENERIC     | R16, R25, R28-R33, R35, R38 ,R39, R43-R45, R4, R11 | 16  | 10k $\Omega$   | 1        |         | 1/16W | 603          | RES_0603   | Various      | Thick Film Chip Resistor                   |
| GENERIC     | R12A, R12B   | 2   | 1M $\Omega$    | 1        |         | 1/16W | 603          | RES_0603   | Various      | Thick Film Chip Resistor                   |
| GENERIC     | R1, R11B   | 2   | 249 $\Omega$   | 1        |         | 1/16W | 603          | RES_0603   | Various      | Thick Film Chip Resistor                   |
| GENERIC     | R10  | 1   | 16.2k $\Omega$ | 1        |         | 1/16W | 603          | RES_0603   | Various      | Thick Film Chip Resistor                   |

| Part Number                            | Reference Designator | Qty | Value  | Tol. (%) | Voltage | Power | Package Type | Jedec Type           | Manufacturer | Description   |
|--|----------------------|-----|--------|----------|---------|-------|--------------|----------------------|--------------|---|
| GENERIC                                | R20                  | 1   | 2kΩ    | 1        |         | 1/16W | 603          | RES_0603             | Various      | Thick Film Chip Resistor  |
| GENERIC                                | R7, R53-R55          | 4   | 20kΩ   | 1        |         | 1/16W | 603          | RES_0603             | Various      | Thick Film Chip Resistor  |
| GENERIC                                | R6                   | 1   | 301kΩ  | 1        |         | 1/16W | 603          | RES_0603             | Various      | Thick Film Chip Resistor  |
| GENERIC                                | R3, R12, R14, R15    | 4   | 32.4kΩ | 1        |         | 1/16W | 603          | RES_0603             | Various      | Thick Film Chip Resistor  |
| GENERIC                                | R41                  | 1   | 470Ω   | 1        |         | 1/16W | 603          | RES_0603             | Various      | Thick Film Chip Resistor  |
| GENERIC                                | R17, R18, R21, R22   | 4   | 511Ω   | 1        |         | 1/16W | 603          | RES_0603             | Various      | Thick Film Chip Resistor  |
| GENERIC                                | R9                   | 1   | 51.1kΩ | 1        |         | 1/16W | 603          | RES_0603             | Various      | Thick Film Chip Resistor  |
| GENERIC                                | R8                   | 1   | 5.62kΩ | 1        |         | 1/16W | 603          | RES_0603             | Various      | Thick Film Chip Resistor  |
| GENERIC                                | R50                  | 1   | 7.15kΩ | 1        |         | 1/16W | 603          | RES_0603             | Various      | Thick Film Chip Resistor  |
| GENERIC                                | R2, R56, R57         | 3   | 1.2Ω   | 1        |         | 1/8W  | 1206         | RES_1206             | Various      | Thick Film Chip Resistor  |
| HIP4086ABZ                             | U5                   | 1   |        |          |         |       | SOIC         | SOIC24_300_50        | Renesas      | Three Phasre Driver 80v 0.5A  |
| IRFS4710                               | Q1-Q6                | 6   |        |          |         |       | D2PAK        | D2PAK                | IR           | N-Channel 100V 75A HEXFET Power MOSFET  |
| ISL28134IBZ ( <a href="#">Note 1</a> ) | U2                   | 2   |        |          |         |       | SOIC8        | SOIC8_150_50E        | Renesas      | Single 5V Ultra Low Noise Zero Drift Rail-to-Rail Precision Operational Amplifier |
| ISL28214FUZ ( <a href="#">Note 1</a> ) | U3                   | 2   |        |          |         |       | MSOP         | MSOP8_118_256        | Renesas      | Dual General Purpose Micropower RRIO Op Amp                                       |
| ISL6719ARZ                             | U6                   | 1   |        |          |         |       | DFN          | DFN9_118X118_197_EP  | Renesas      | 100V Linear Regulator   |
| ISL8560IRZ                             | U1                   | 1   |        |          |         |       | 20QFN        | QFN20_236X236_315_EP | Renesas      | 2A DC/DC POWER SWITCHING REGULATOR  |
| PIC18F2431S0                           | U4                   | 1   |        |          |         |       | SOIC         | SOIC28_300_50V2      | Microchip    | Flash Microcontroller   |
| SD04H0SK                               | SW1                  | 1   |        |          |         |       | SMT          | SD04H0SK             | C&K          | SD Series Low Profile DIP Switch 4 Pos SPST                                       |
| WSH2818R0150FE                         | R23, R24             | 2   | 0.015Ω | 1        |         | 5W    | 2818         | RES_WSH2818          | VISHAY       | SURFACE MOUNT POWER METAL STRIP RESISTOR  |
| TOTAL                                  |                      | 157 |        |          |         |       |              |                      |              |   |

Note:

1. On previous board revisions U2 and U3 are the ISL28246.



### 3.7 HIP4086DEMO1Z Board Schematics

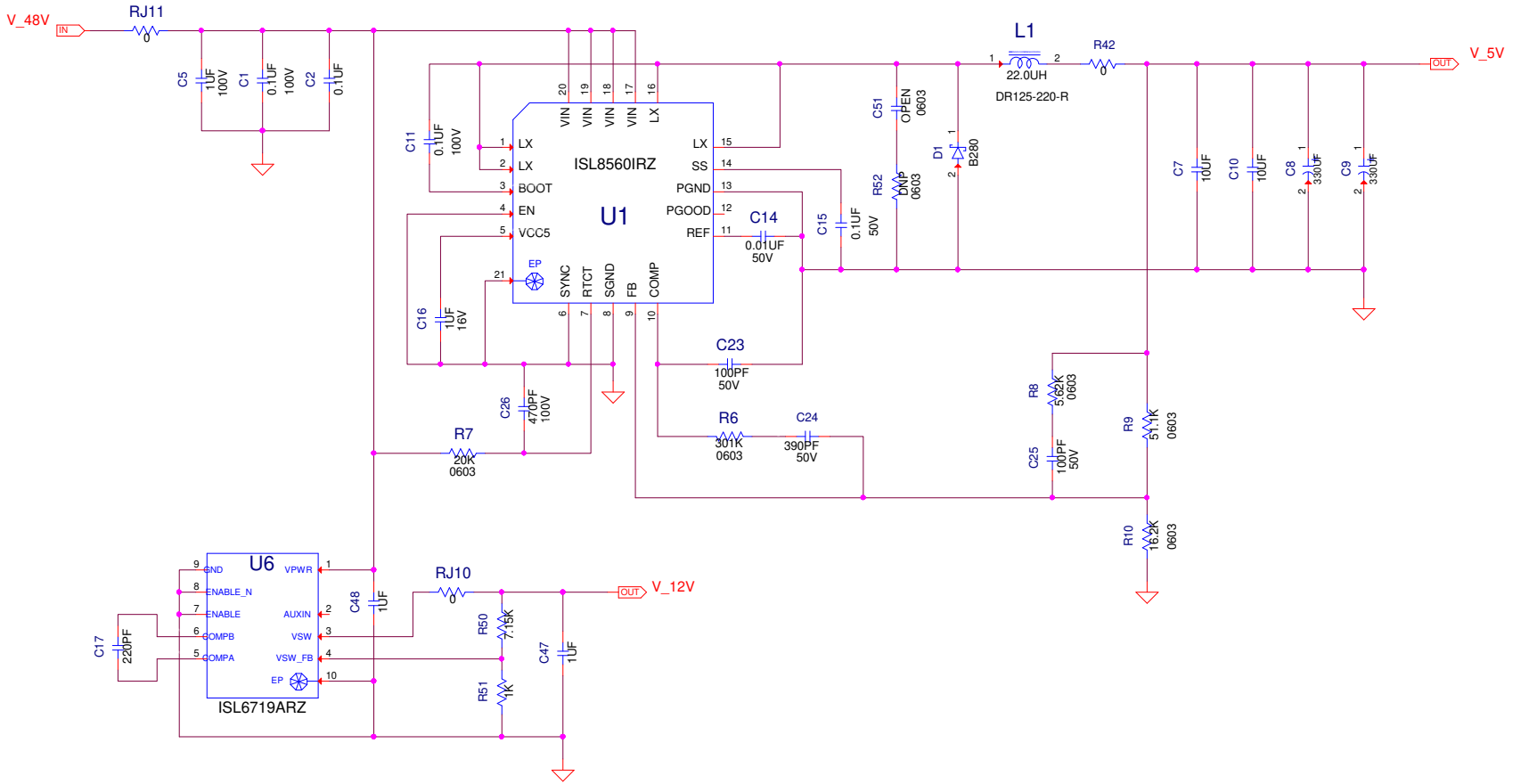
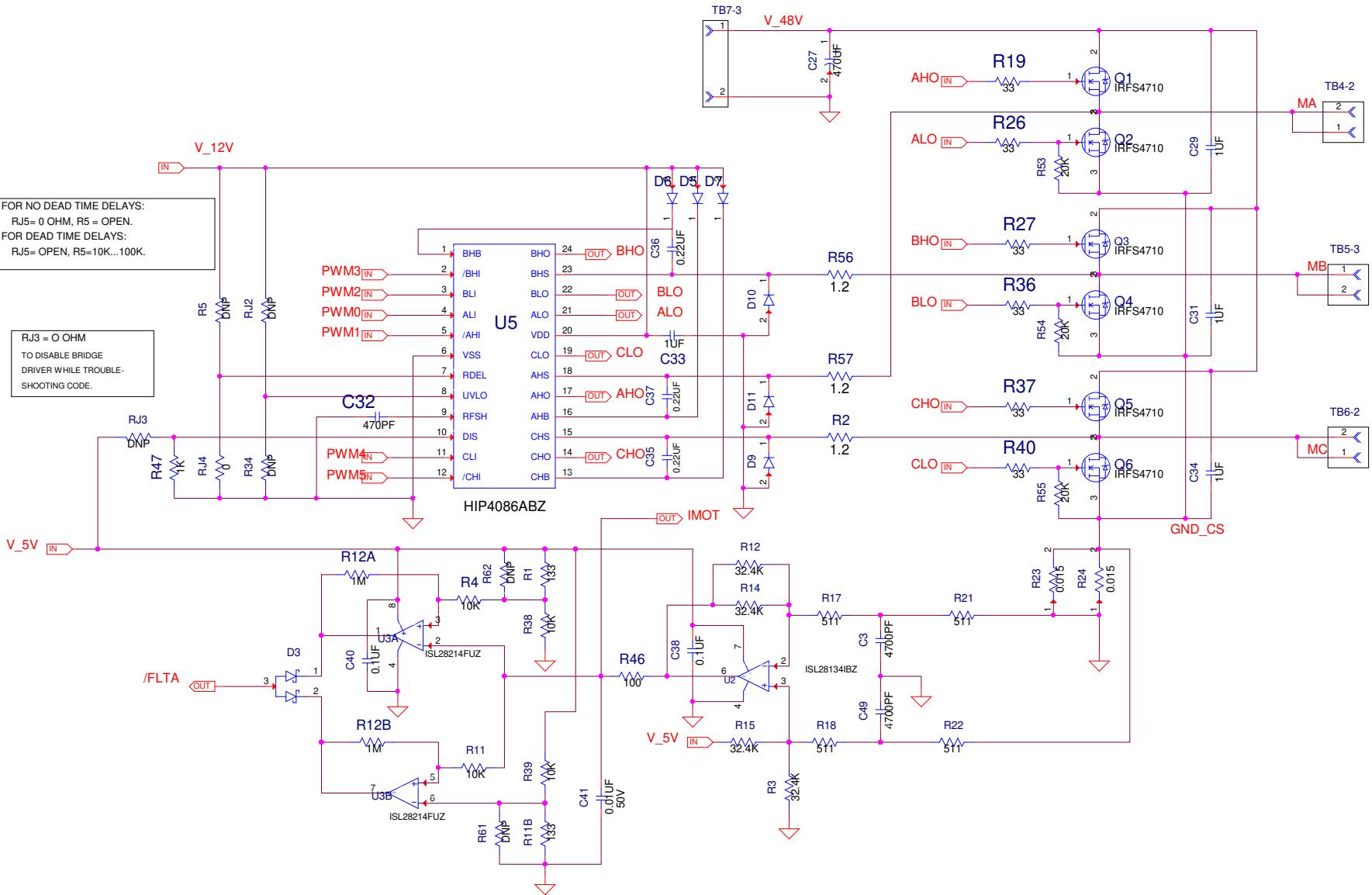


Figure 22. Bias Supplies







### 3.8 PCB Layout

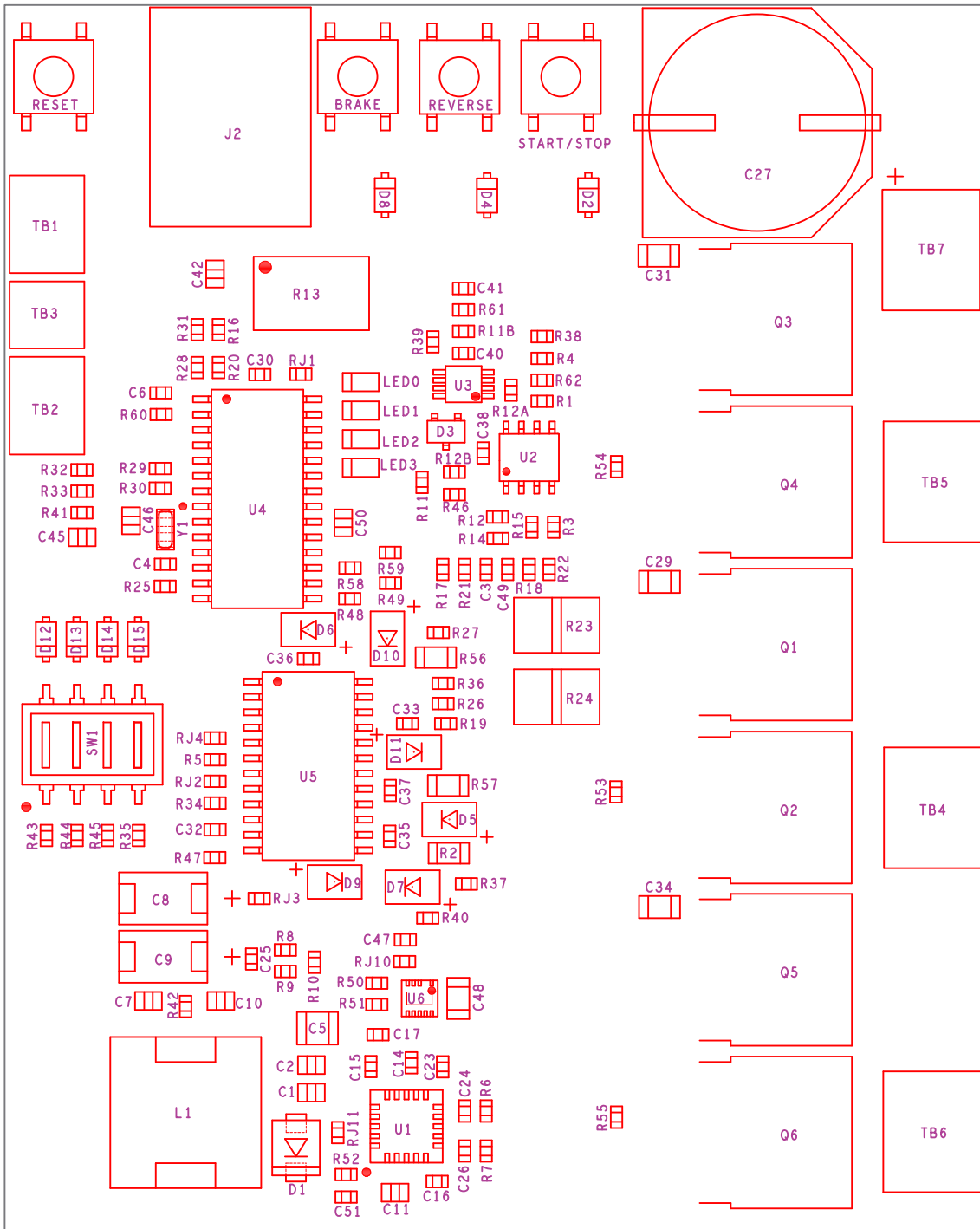


Figure 25. Assembly Top

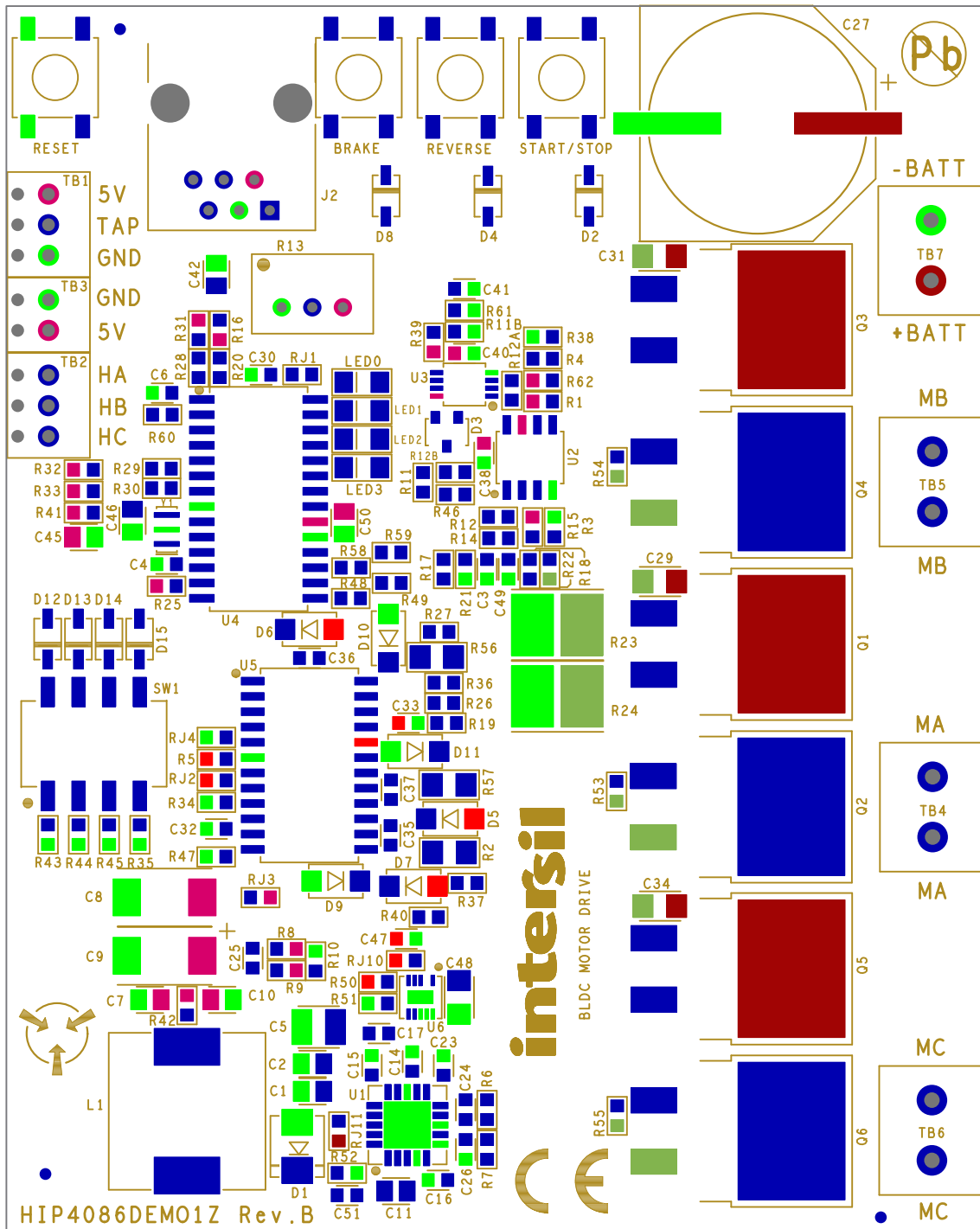


Figure 26. Silkscreen Top

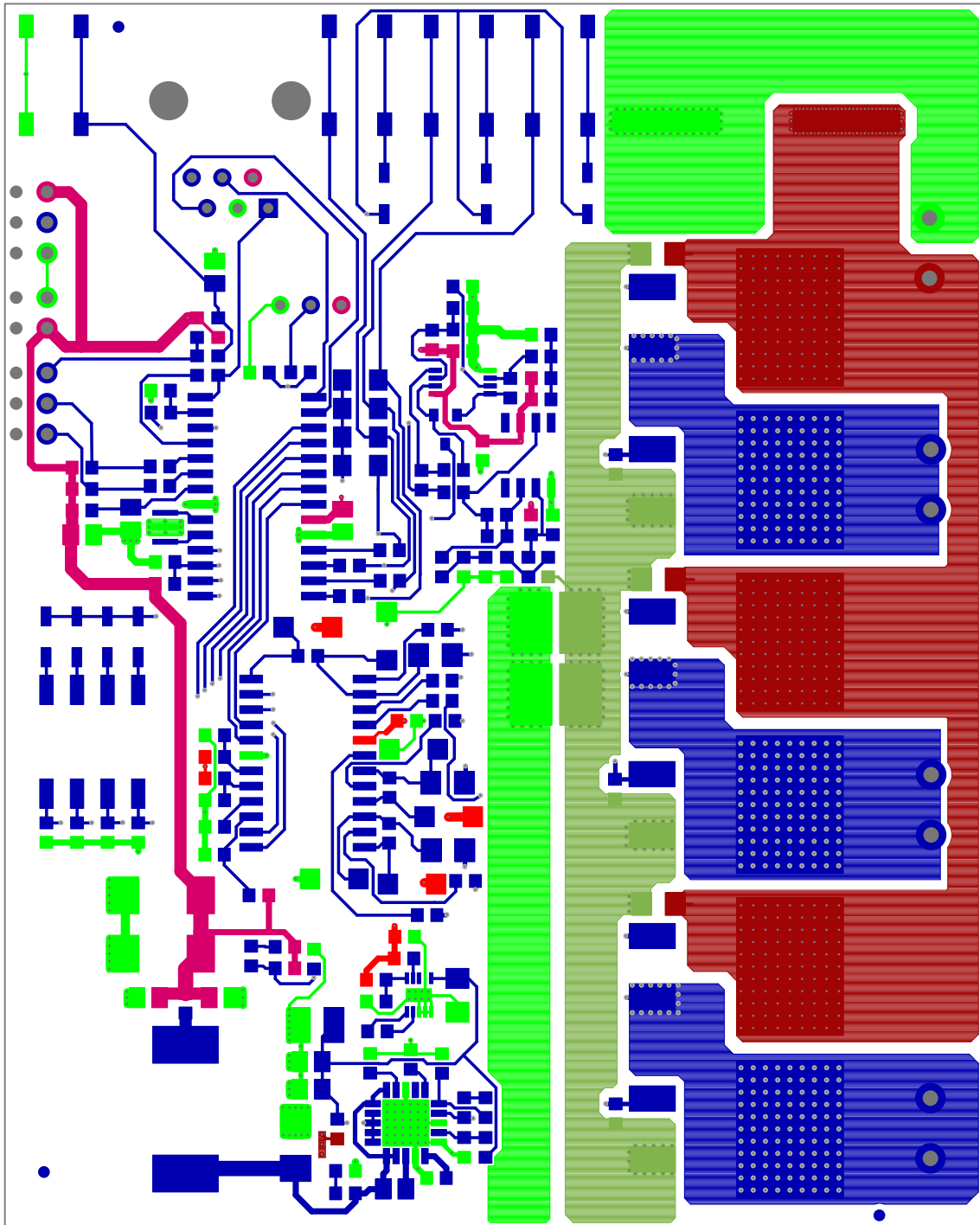


Figure 27. Top Layer

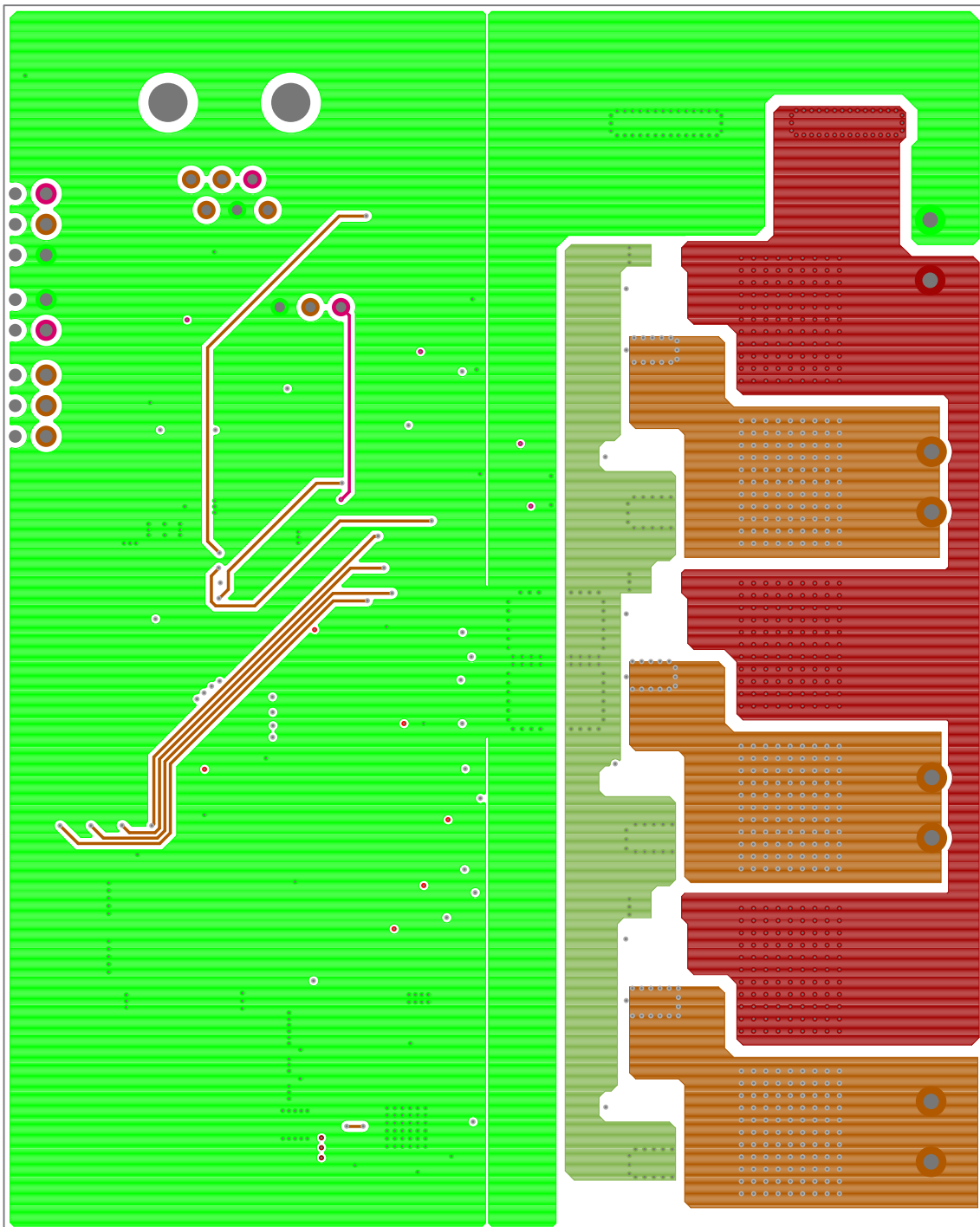


Figure 28. Layer 2

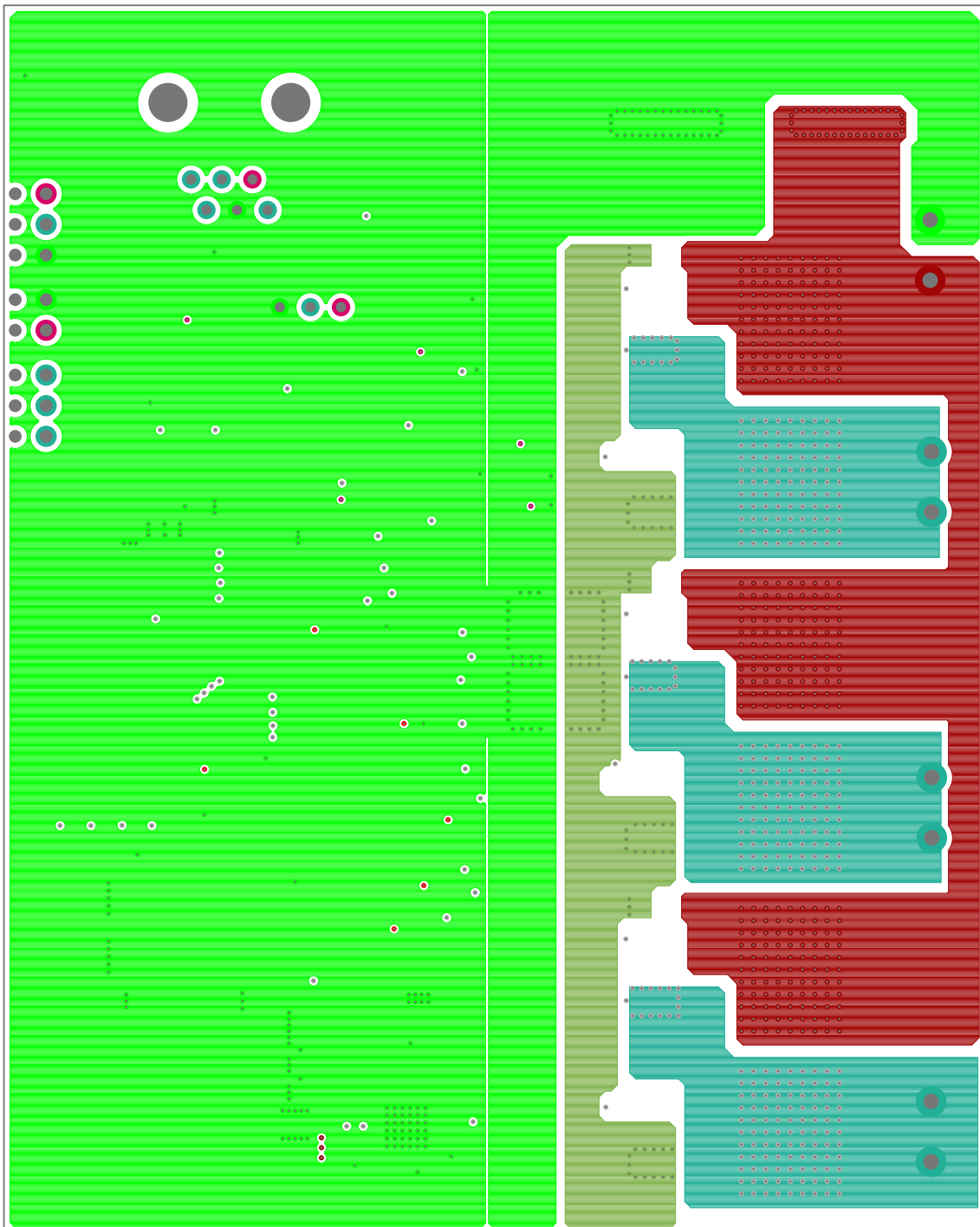


Figure 29. Layer 3

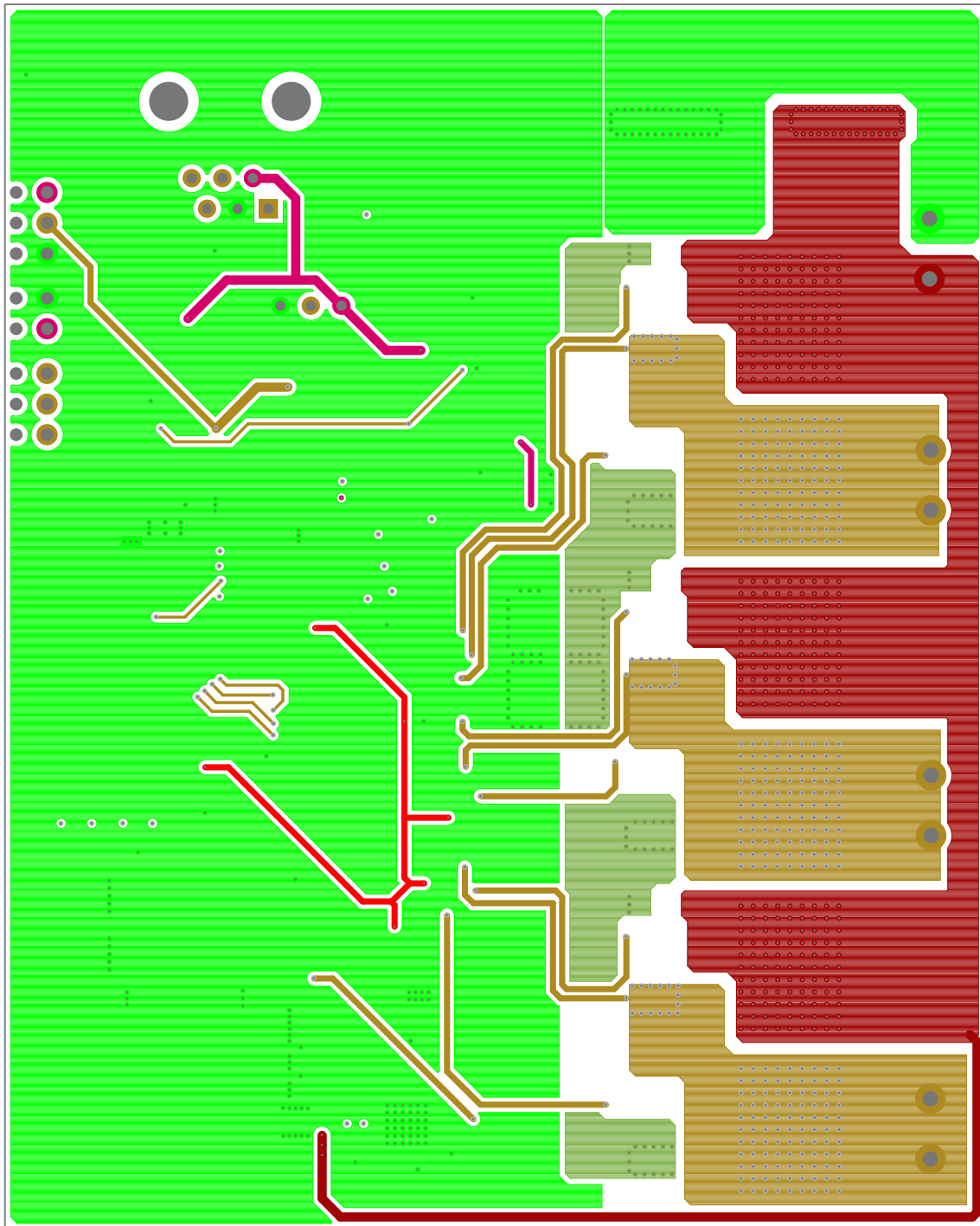


Figure 30. Bottom Layer



## 4. Revision History

| Rev. | Date      | Description   |
|------|-----------|---|
| 1.00 | Aug.2.19  | Applied new formatting throughout document.<br>Updated Figure 1 on page 3.<br>Updated Figures 15 and 16 on page 15.<br>Updated Figure 17 on page 16.<br>Updated the Current Sensing/Current Limit section on page 21.<br>Updated schematics and BOM.<br>Updated Figures 25-30.<br>Updated disclaimer. |
| 0.00 | May.31.19 | Initial release   |

## Notice

1. Descriptions of circuits, software and other related information in this document are provided only to illustrate the operation of semiconductor products and application examples. You are fully responsible for the incorporation or any other use of the circuits, software, and information in the design of your product or system. Renesas Electronics disclaims any and all liability for any losses and damages incurred by you or third parties arising from the use of these circuits, software, or information.
2. Renesas Electronics hereby expressly disclaims any warranties against and liability for infringement or any other claims involving patents, copyrights, or other intellectual property rights of third parties, by or arising from the use of Renesas Electronics products or technical information described in this document, including but not limited to, the product data, drawings, charts, programs, algorithms, and application examples.
3. No license, express, implied or otherwise, is granted hereby under any patents, copyrights or other intellectual property rights of Renesas Electronics or others.
4. You shall not alter, modify, copy, or reverse engineer any Renesas Electronics product, whether in whole or in part. Renesas Electronics disclaims any and all liability for any losses or damages incurred by you or third parties arising from such alteration, modification, copying or reverse engineering.
5. Renesas Electronics products are classified according to the following two quality grades: "Standard" and "High Quality". The intended applications for each Renesas Electronics product depends on the product's quality grade, as indicated below.
  - "Standard": Computers; office equipment; communications equipment; test and measurement equipment; audio and visual equipment; home electronic appliances; machine tools; personal electronic equipment; industrial robots; etc.
  - "High Quality": Transportation equipment (automobiles, trains, ships, etc.); traffic control (traffic lights); large-scale communication equipment; key financial terminal systems; safety control equipment; etc.Unless expressly designated as a high reliability product or a product for harsh environments in a Renesas Electronics data sheet or other Renesas Electronics document, Renesas Electronics products are not intended or authorized for use in products or systems that may pose a direct threat to human life or bodily injury (artificial life support devices or systems; surgical implantations; etc.), or may cause serious property damage (space system; undersea repeaters; nuclear power control systems; aircraft control systems; key plant systems; military equipment; etc.). Renesas Electronics disclaims any and all liability for any damages or losses incurred by you or any third parties arising from the use of any Renesas Electronics product that is inconsistent with any Renesas Electronics data sheet, user's manual or other Renesas Electronics document.
6. When using Renesas Electronics products, refer to the latest product information (data sheets, user's manuals, application notes, "General Notes for Handling and Using Semiconductor Devices" in the reliability handbook, etc.), and ensure that usage conditions are within the ranges specified by Renesas Electronics with respect to maximum ratings, operating power supply voltage range, heat dissipation characteristics, installation, etc. Renesas Electronics disclaims any and all liability for any malfunctions, failure or accident arising out of the use of Renesas Electronics products outside of such specified ranges.
7. Although Renesas Electronics endeavors to improve the quality and reliability of Renesas Electronics products, semiconductor products have specific characteristics, such as the occurrence of failure at a certain rate and malfunctions under certain use conditions. Unless designated as a high reliability product or a product for harsh environments in a Renesas Electronics data sheet or other Renesas Electronics document, Renesas Electronics products are not subject to radiation resistance design. You are responsible for implementing safety measures to guard against the possibility of bodily injury, injury or damage caused by fire, and/or danger to the public in the event of a failure or malfunction of Renesas Electronics products, such as safety design for hardware and software, including but not limited to redundancy, fire control and malfunction prevention, appropriate treatment for aging degradation or any other appropriate measures. Because the evaluation of microcomputer software alone is very difficult and impractical, you are responsible for evaluating the safety of the final products or systems manufactured by you.
8. Please contact a Renesas Electronics sales office for details as to environmental matters such as the environmental compatibility of each Renesas Electronics product. You are responsible for carefully and sufficiently investigating applicable laws and regulations that regulate the inclusion or use of controlled substances, including without limitation, the EU RoHS Directive, and using Renesas Electronics products in compliance with all these applicable laws and regulations. Renesas Electronics disclaims any and all liability for damages or losses occurring as a result of your noncompliance with applicable laws and regulations.
9. Renesas Electronics products and technologies shall not be used for or incorporated into any products or systems whose manufacture, use, or sale is prohibited under any applicable domestic or foreign laws or regulations. You shall comply with any applicable export control laws and regulations promulgated and administered by the governments of any countries asserting jurisdiction over the parties or transactions.
10. It is the responsibility of the buyer or distributor of Renesas Electronics products, or any other party who distributes, disposes of, or otherwise sells or transfers the product to a third party, to notify such third party in advance of the contents and conditions set forth in this document.
11. This document shall not be reprinted, reproduced or duplicated in any form, in whole or in part, without prior written consent of Renesas Electronics.
12. Please contact a Renesas Electronics sales office if you have any questions regarding the information contained in this document or Renesas Electronics products.

(Note1) "Renesas Electronics" as used in this document means Renesas Electronics Corporation and also includes its directly or indirectly controlled subsidiaries.

(Note2) "Renesas Electronics product(s)" means any product developed or manufactured by or for Renesas Electronics.

(Rev.4.0-1 November 2017)

## Corporate Headquarters

TOYOSU FORESIA, 3-2-24 Toyosu,  
Koto-ku, Tokyo 135-0061, Japan  
[www.renesas.com](http://www.renesas.com)

## Contact Information

For further information on a product, technology, the most up-to-date version of a document, or your nearest sales office, please visit:  
[www.renesas.com/contact/](http://www.renesas.com/contact/)

## Trademarks

Renesas and the Renesas logo are trademarks of Renesas Electronics Corporation. All trademarks and registered trademarks are the property of their respective owners.

HIP4086DEMO1Z