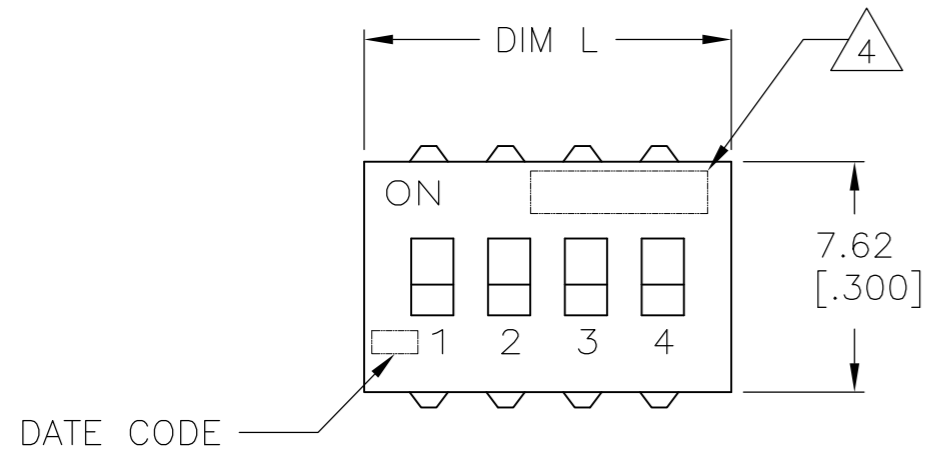


THIS DRAWING IS UNPUBLISHED. RELEASED FOR PUBLICATION
 © COPYRIGHT BY TYCO ELECTRONICS CORPORATION. ALL RIGHTS RESERVED.

LOC	DIST	REVISIONS					
AD	0	P	LTR	DESCRIPTION	DATE	DWN	APVD
		B1		REVISED PER ECO-08-000954	1/11/08	SS	MS
		B2		REVISED PER ECO-09-024927	07NOV09	KK	AEQ



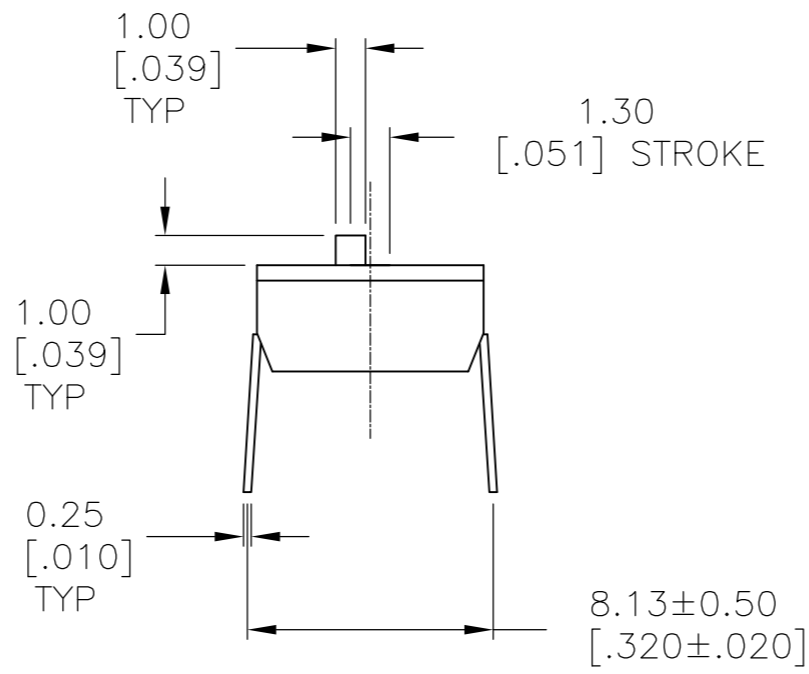
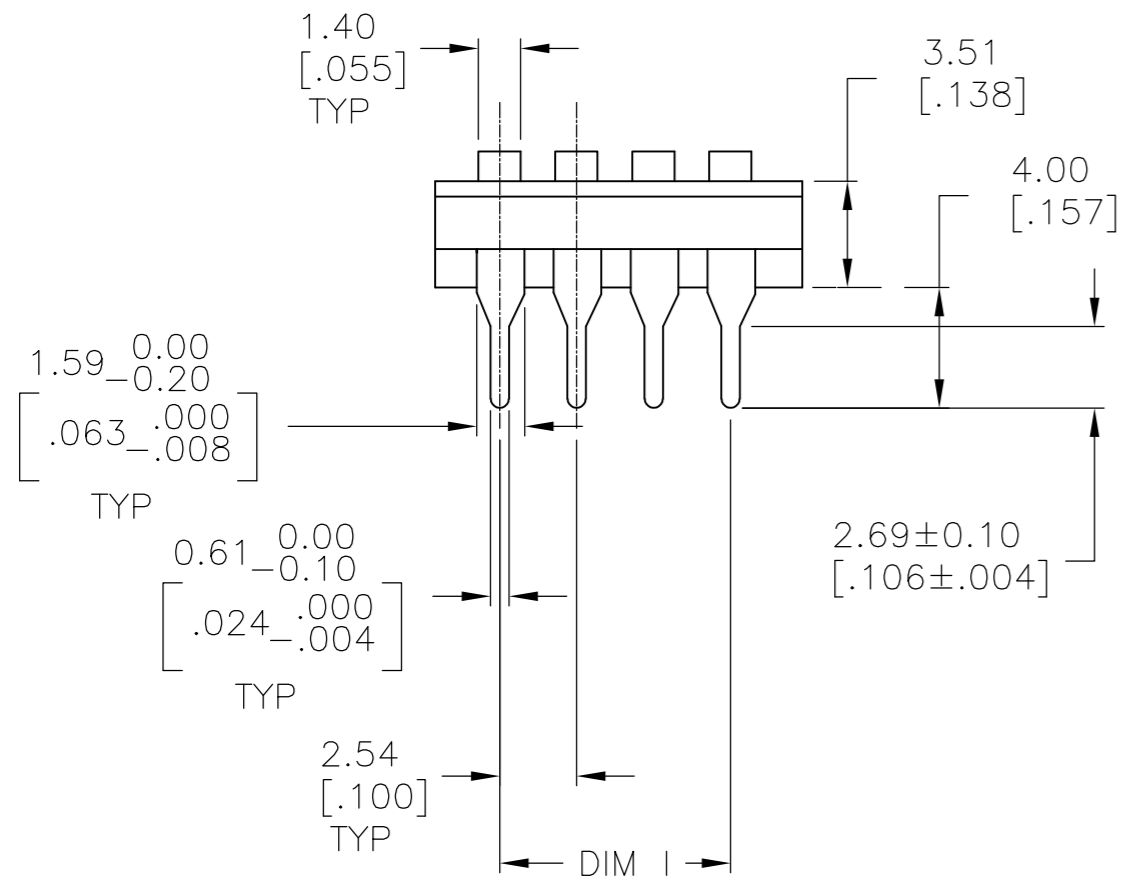
Specifications:
 MATERIAL
 BASE, PPS, UL94V-0, BLACK
 COVER, PPS, UL94V-0, BLACK
 ACTUATOR, PBT, UL94V-0, WHITE
 FIXED CONTACT/TERMINAL, CU ALLOY-GOLD FLASH OVER NICKEL
 MOVING CONTACT, CU ALLOY, PLATE-GOLD FLASH/NICKEL

ELECTRICAL
 MAX CONTACT RATING SWITCHING, 100MILLIAMPS @ 24 VDC
 MIN CONTACT RATING SWITCHING, .1MICROAMP @ 1 MILLIVOLT
 MAX CONTACT NON-SWITCHING, 1AMP @ 5 VDC
 INITIAL CONTACT RESISTANCE, 50 MILLIOHMS MAX.
 CONTACT RESISTANCE (AFTER ENVIRONMENTAL TEST), 100 MILLIOHMS
 CONTACT RESISTANCE (AFTER GAS TEST), 300 MILLIOHMS
 INSULATION RESISTANCE, 1,000 MEGOHMS MIN. @ 100 VDC
 DIELECTRIC STRENGTH, 500 VAC RMS @ SEA LEVEL
 LIFE EXPECTANCY, 1,000 CYCLES

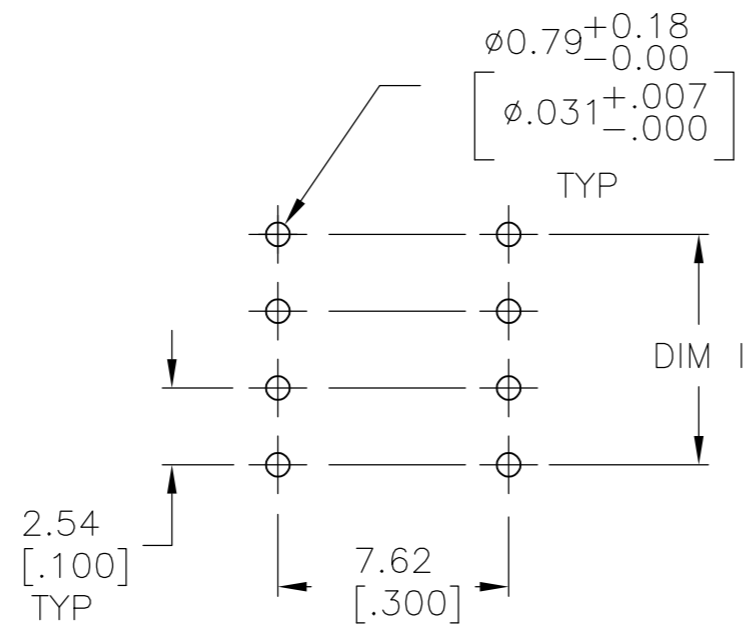
MECHANICAL
 OPERATING FORCE, LESS THAN 800 GRAMS
 CONTACT PRESSURE, 280,000 PSI

ENVIRONMENTAL
 OPERATING TEMPERATURE, -30 TO +85 DEGREES C
 STORAGE TEMPERATURE, -45 TO +105 DEGREES C
 CLEANING, AQUEOUS OR SOLVENT
 SOLDER HEAT RESISTANCE, PER 109-202, COND B, SWITCH "OFF".
 SOLDERABILITY PER JIS C 0050 & JIS 0053

- SWITCHES TO BE RECEIVED IN THE "OFF" POSITION AND PACKAGED IN CLEAR TUBES TO ACCOMMODATE AUTO-INSERTION.
 - TOP SURFACE TO BE CLEARLY MARKED AS SHOWN
 - SWITCHES TO BE BLACK WITH WHITE ACTUATORS AND MARKINGS.
 - ALL MATERIALS AND FINISHES SHALL COMPLY WITH EU DIRECTIVE 2002/95/EC OF 27JAN2003 (ROHS)
- ⚠ OBSOLETE PARTS: OBSOLETE CIS STREAMLINING PER D.RENAUD/D.SINISI



ADE



P.C. LAYOUT
 INSERT MOUNT

OB	Part Number	Dim I	Dim L	T&B P/N	No. of Posn
⚠	ADE07A04	19.71[.776]	15.24[.600]	7	1825360-7
	ADE10A04	27.38[1.078]	22.86[.900]	10	1825360-6
	ADE08A04	22.25[.876]	17.78[.700]	8	1825360-5
	ADE06A04	17.17[.676]	12.70[.500]	6	1825360-4
	ADE04A04	12.09[.476]	7.62[.300]	4	1825360-3
	ADE03A04	9.55[.376]	5.08[.200]	3	1825360-2
	ADE02A04	7.01[.276]	2.54[.100]	2	1825360-1
	T&B P/N	DIM L	Dim I	No. of Posn	Part Number

THIS DRAWING IS A CONTROLLED DOCUMENT.		DWN	M.BINNER	18JUL05	Tyco Electronics Corporation Harrisburg, PA 17105-3608			
DIMENSIONS: mm [INCHES]		CHK	M SARVER	15FEB05				
TOLERANCES UNLESS OTHERWISE SPECIFIED:		APVD	M SARVER	15FEB05				
0 PLC ± - 1 PLC ± - 2 PLC ± 0.30[.012] 3 PLC ± - 4 PLC ± - ANGLES ± -		NAME		DIP SWITCH, ADE THRU HOLE				
MATERIAL		FINISH		WEIGHT	SIZE	CAGE CODE	DRAWING NO	RESTRICTED TO
-		-		-	A2	00779	C=1825360	-
CUSTOMER DRAWING				SCALE	4:1	SHEET	1 of 1	REV
								B2