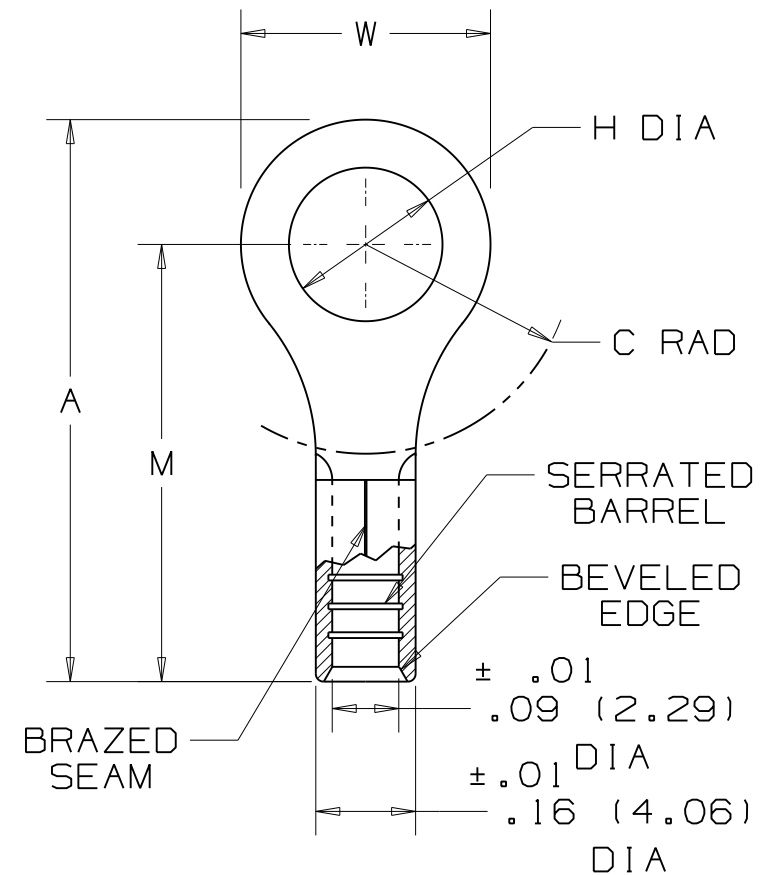


PANDUIT PART NUMBER	STUD SIZE	DIMENSIONS in.				
		A $\pm .03$	W $\pm .01$	C ^{MIN}	M $\pm .03$	H $\pm .01$
P14-4R	#4	.62 (15.8)	.25 (6.4)	.20 (5.1)	.50 (12.7)	.12 (3.1)
P14-6R	#6	.62 (15.8)	.25 (6.4)	.20 (5.1)	.50 (12.7)	.15 (3.8)
P14-8R	#8	.71 (18.0)	.31 (7.9)	.25 (6.4)	.55 (14.0)	.17 (4.3)
P14-10R	#10	.71 (18.0)	.31 (7.9)	.25 (6.4)	.55 (14.0)	.20 (5.1)
P14-14R	1/4"	.91 (23.1)	.46 (11.7)	.38 (9.7)	.68 (17.3)	.27 (6.9)
P14-56R	5/16"	.91 (23.1)	.46 (11.7)	.38 (9.7)	.68 (17.3)	.34 (8.6)
P14-38R	3/8"	1.00 (25.4)	.53 (13.5)	.43 (10.9)	.73 (18.5)	.40 (10.2)
P14-12R	1/2"	1.20 (30.5)	.72 (18.3)	.53 (13.5)	.84 (21.3)	.52 (13.2)

NOTES:

- UL LISTED AND CSA CERTIFIED FOR:
 - 18-14 AWG SOLID OR STRANDED COPPER WIRE
- MAXIMUM RECOMMENDED OPERATING TEMP. NOT TO EXCEED 150° (302°F)
- MATERIAL:
 - STAMPING - .03" (.8) THK COPPER, TIN PLATED
- SEE www.panduit.com FOR PART NUMBER SUFFIX DESIGNATION FOR PACKAGE SIZE.
- DIMENSIONS IN BRACKETS ARE IN MILLIMETERS
- INSTALLATION TOOLS:
 - UL LISTED AND CSA CERTIFIED: CT-100, CT-100A, CT-200, CT-570, CT-600-A, CT-1570, CT-2500
 - PANDUIT APPROVED: CT-160, CT-260
- WIRE STRIP LENGTH: 9/32 ^{+1/32} ₋₀ (7.1 ^{+.8} ₋₀)



LISTED
587H
E52164



CERTIFIED
LR31212

07	5/11	SHOR	MODIFIED NOTE #4, ADDED INSTALLATION TOOLS, CHANGED PACKAGE QUANTITIES		
06	12/03	KLFU	REMOVED NOTE 1B, ADDED NOTE 2		
05	5/02	SRB	CHANGED (DIMS) TO 1 PL DECIMAL	LA	--
04	4/02	SRB	ADDED P14-12R	--	TRO
REV	DATE	BY	DESCRIPTION	CUST	PM

PANDUIT

CORP.

TINLEY PARK, ILLINOIS

#16-14 BARREL NON-INSULATED
RING TONGUE

DRAWN BY: DAW CHK'D: RLS SCALE: NONE DRAWING NO.: A41264