

THIS DRAWING IS UNPUBLISHED. RELEASED FOR PUBLICATION  
 © COPYRIGHT By - ALL RIGHTS RESERVED.

LOC	DIST	REVISIONS			
P	LTR	DESCRIPTION	DATE	DWN	APVD
HB	-	REMOVED CSA&OPTIMIZATION SSA RATING&USING WELDED CONTACT ECO-13-017354	18Feb2014	HYS	B.F

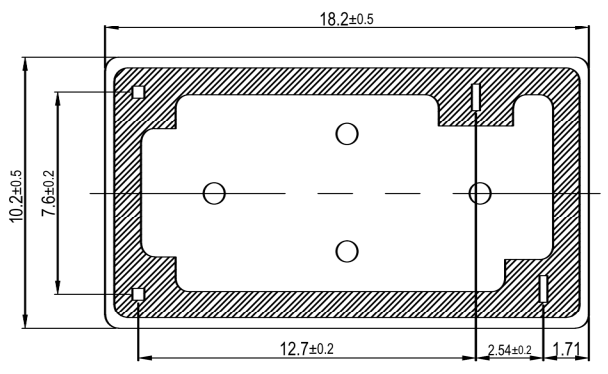
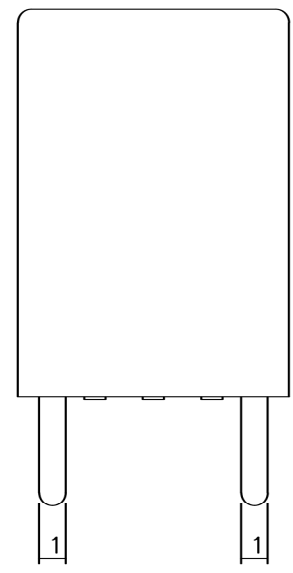
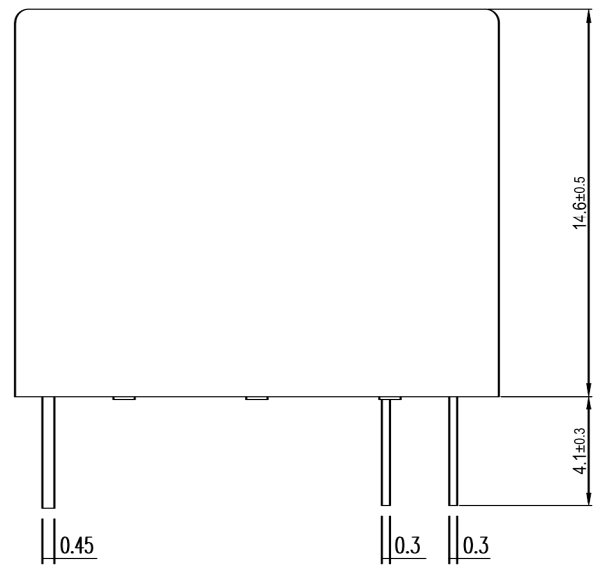
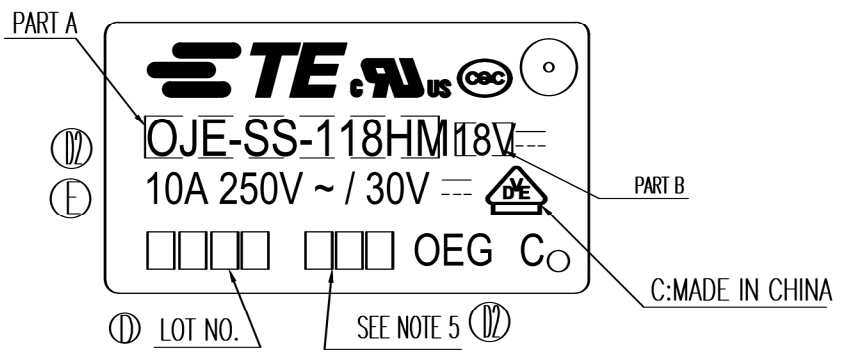
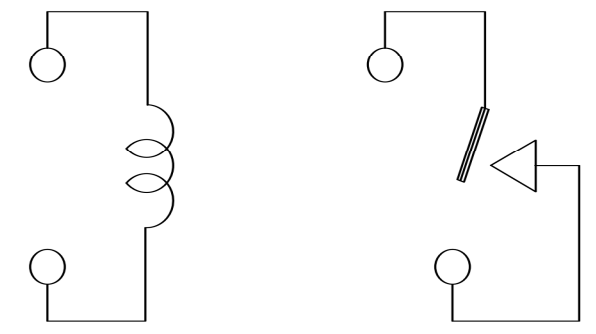


Diagram dimension	Tolerance
0.99mm max.	±0.1mm
1 - 2.99mm	±0.2mm
3mm min.	±0.3mm



CONNECTION FIGURE

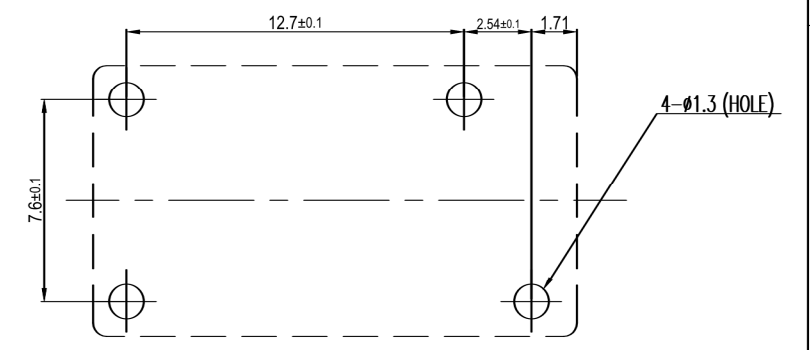


FIGURE FOR PRINTED CIRCUIT BOARD PROCESSING (BOTTOM VIEW)

THIS DRAWING IS A CONTROLLED DOCUMENT.		DWN H.SASAKI	TE Connectivity			
DIMENSIONS: mm		CHK Y.OIKAWA				NAME
TOLERANCES UNLESS OTHERWISE SPECIFIED:		APVD A.NAGAI	PRODUCT SPEC			
0 PLC ± - 1 PLC ± - 2 PLC ± - 3 PLC ± - 4 PLC ± - ANGLES ± -		APPLICATION SPEC		OJ-SS-HM CUSTOMER DRAWING		
MATERIAL		WEIGHT	SIZE A3	CAGE CODE 00779	DRAWING NO C=1461077	RESTRICTED TO
CUSTOMER DRAWING			SCALE 5:1	SHEET 1 OF 2	REV E	

THIS DRAWING IS UNPUBLISHED. RELEASED FOR PUBLICATION  
 © COPYRIGHT By- ALL RIGHTS RESERVED.

LOC	DIST	REVISIONS					
HB	-	P	LTR	DESCRIPTION	DATE	DWN	APVD
		-		SEE SHEET 1	-	-	-

1461077-6	OJ-SS-148HM	107-79010	48V	OJ-SS-148HM	h
1440007-2	OJ-SS-124HM	107-79010	24V	OJ-SS-124HM	g
1461077-5	OJ-SS-118HM	107-79010	18V	OJ-SS-118HM	f
1419135-3	OJ-SS-112HM	107-79010	12V	OJ-SS-112HM	e
1461077-4	OJ-SS-109HM	107-79010	9V	OJ-SS-109HM	d
1461077-3	OJ-SS-106HM	107-79010	6V	OJ-SS-106HM	c
1461077-2	OJ-SS-105HM	107-79010	5V	OJ-SS-105HM	b
1461077-1	OJ-SS-103HM	107-79010	3V	OJ-SS-103HM	a
TE PART NO	TE TYPE NAME	PACKAGE SPEC	PART B	PART A	TYPE



RELAY TYPE

NOTE:

- ① ② 1. LOT NO. SYSTEM AS FOLLOWING:
- ③ 2. TERMINAL DIMENSION IS BEFORE SOLDER DIP;
- ④ 3. FOR THE TIN-PLATING OF THE PINS:  
 +0.1mm FOR WIDTH, THICKNESS AND DIAMETER.  
 +0.5mm FOR LENGTH.
- ⑤ 4. MARKING FROM INK TO LASER AND USING WELDED CONTACT

- ⑥ 5. ADD LOT NO. SYSTEM AS FOLLOWING;
- I, DIGITS FOR DAY OF THE WEEK  
 1...MONDAY IN THIS WEEK;  
 2...TUESDAY IN THIS WEEK;  
 .....  
 7...SUNDAY IN THIS WEEK
- II, DIGITS FOR SHIFT OF THE DAY  
 1...DAY SHIFT IN THIS DAY;  
 2...NIGHT SHIFT IN THIS DAY;
- III, ONE CHARACTER DISTINGUISH THE LINE IDENTITY,  
 SUCH AS: A,B,.....Z

		EPOXY RESIN	SEAL (BASE & BOBBIN)	15
		3UEW	MAGNETIC WIRE	14
94V-0		P.B.T	CASE	13
94V-0		P.B.T	BASE	12
94V-0		P.B.T	BOBBIN	11
	SOLDER DIP	C.P WIRE	COIL TERMINAL	10
94V-0		P.P.S	CARD	9
		Ag ALLOY	MOVABLE CONTACT	8
		Ag	NO.CONTACT	7
		STEEL	HINGE SPRING	6
	SOLDER DIP	PBP	NO.TERMINAL	5
	SOLDER DIP	Cr ALLOY	MOVABLE SPRING	4
	NIP	STEEL	CORE	3
	NIP	STEEL	ARMATURE	2
	NIP	STEEL	YOKE	1
INCOMBUSTIBILITY	TREATMENT	MATERIAL	DESCRIPTION	ITEM

THIS DRAWING IS A CONTROLLED DOCUMENT.		DWN H.SASAKI	TE Connectivity OJ-SS-HM CUSTOMER DRAWING				
DIMENSIONS: mm		CHK Y.OIKAWA				NAME	
TOLERANCES UNLESS OTHERWISE SPECIFIED:		APVD A.NAGAI				PRODUCT SPEC	
		APPLICATION SPEC					
MATERIAL		FINISH	WEIGHT	SIZE A3	CAGE CODE 00779		
			DRAWING NO C=1461077	RESTRICTED TO			
CUSTOMER DRAWING				SCALE 5:1	SHEET 2 OF 2		
				REV E			