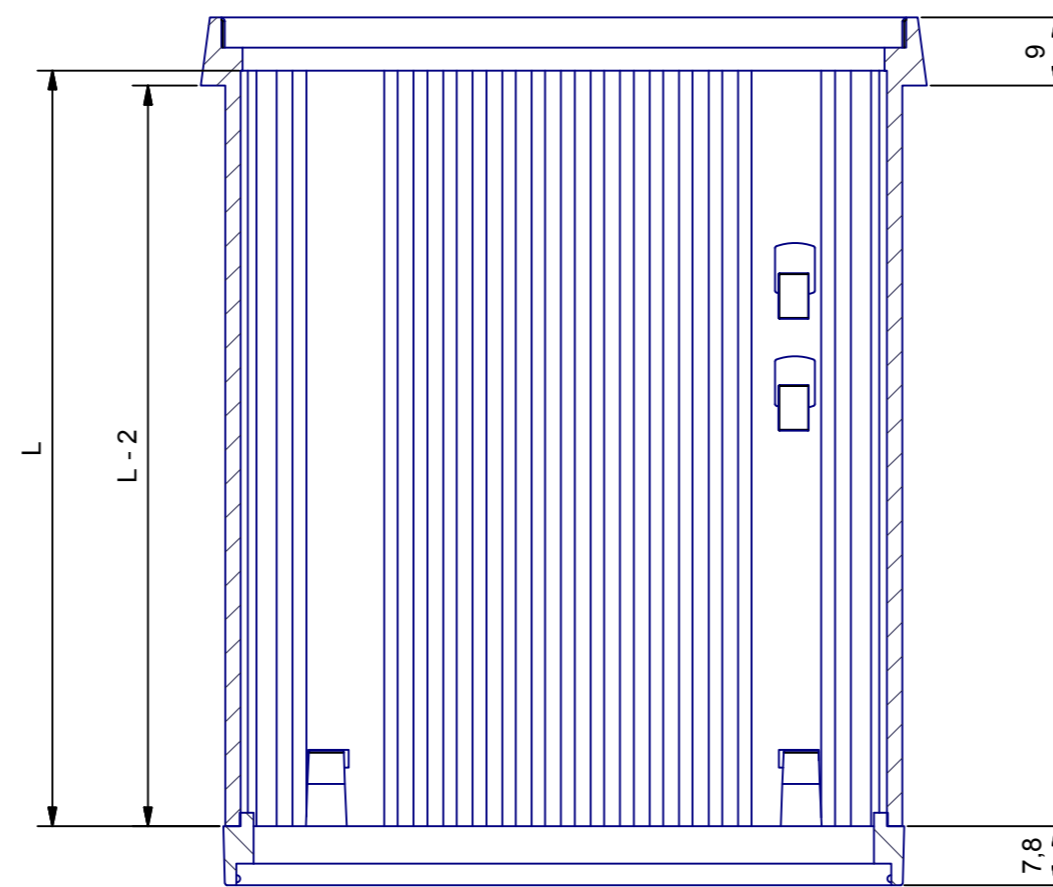


A-A (1:1)



VERSIONS	L
96X96 L57	57 mm
96X96 L75	75 mm
96X96 L100	100 mm
96X96 L124	124 mm
96X96 LXXX	104 mm Max

COMPONENTS LIST				
RIF.	Q.TY	DESCRIPTION	CODE	
1	1	Corpo cont. 96x96 B - Body enclosure 96x96 B	I-00218	
2	1	Cornice posteriore 96x96 - Rear frame 96x96	I-00217	
3	2	Agganci in plastica INCABOX - Plastic fixing INCABOX	I-00769	
Da 0,5 a 3		Oltre 3 fino a 6	Oltre 6 fino a 30	Oltre 30 fino a 120
± 0,1		± 0,1	± 0,2	± 0,3
RESERVED PROPERTY		Dimension in mm	SHEET NR.	DRAWING BY
The present drawing cannot be reproduced or communicated to 3d parties, even partially, without the authorization of ITALTRONIC Srl. Italtronic reserves to protect its own rights according to the law.		1 / 1	1 / 1	Manual modification are not allowed
Date: 17/04/2013		Replace nr.		GENERAL TOLERANCE
Drawn: Rigato N.		Checked: Dalla Montà D.		UNI EN 22768/1
		Scale:		Media (m)
				5 4 3 2 1
				Revision description



Denomination:  
 Contenitore completo INCABOX 96x96 B  
 Complete enclosure INCABOX 96x96 B

Drawing nr.  
**I-04567-00**

ITALTRONIC S.R.L.  
 VIA AUSTRIA 25/D 35127  
 PADOVA - ITALY  
[www.italtronic.com](http://www.italtronic.com)