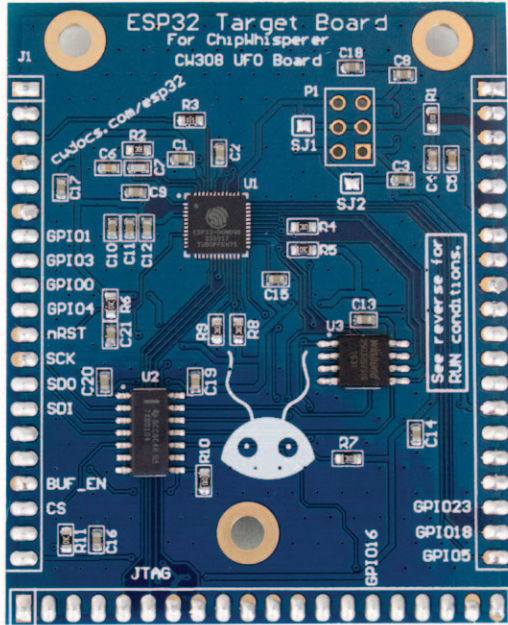




ESP32 UFO Target

NewAE Technology Inc.
newae.com



The ESP32 baseboard has the popular low-cost ESP32 device. This device features a Tensilica Xtensa LX6 core and has numerous interesting peripherals, including hardware AES engine.

It also features secure boot using the AES engine. The included example runs the AES hardware core and sends/receives data using the standard Simple Serial protocol. This allows direct usage with the ChipWhisperer software.

Note an external USB serial cable (recommended) or SPI flash programmer is required to program this target.

The RF antenna is not routed on this board, and cannot be used.

CW308 UFO Baseboard REQUIRED for use!
Programmer REQUIRED for use!

Product Highlights

Espressif ESP32-D0WDQ6 target device.

SPI Flash chip includes bidirectional buffer to allow (a) programming of on-board SPI flash chip with external programmer, (b) sniffing SPI traffic without loading data lines, and (c) triggering on SPI traffic.

Example implementation of SimpleSerial using hardware AES core provided with ESP32 build system.

Can monitor either the VDD_CPU and VDD_RTU supplies using an optional jumper.

ESP32 built in serial bootloader allows programming device using only a USB-Serial cable (not included). This allows programming of both external (SPI Flash) and internal (EFUSE) memory.

Ordering Summary

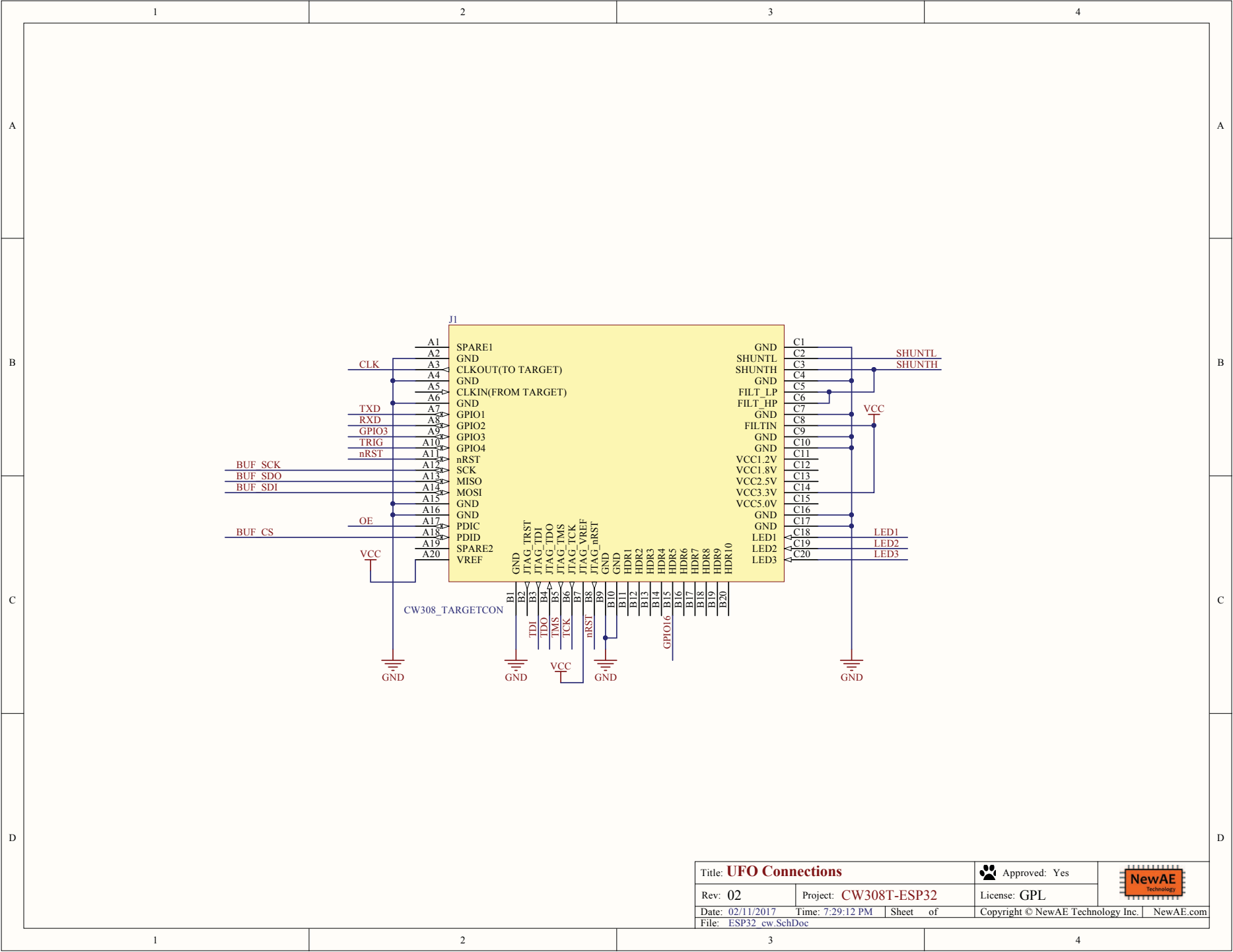
NAE-CW308T-ESP32 Espressif ESP32-D0WDQ6 UFO Target Board.


Product Links

Full Documentation <https://wiki.newae.com/CW308T-ESP32>

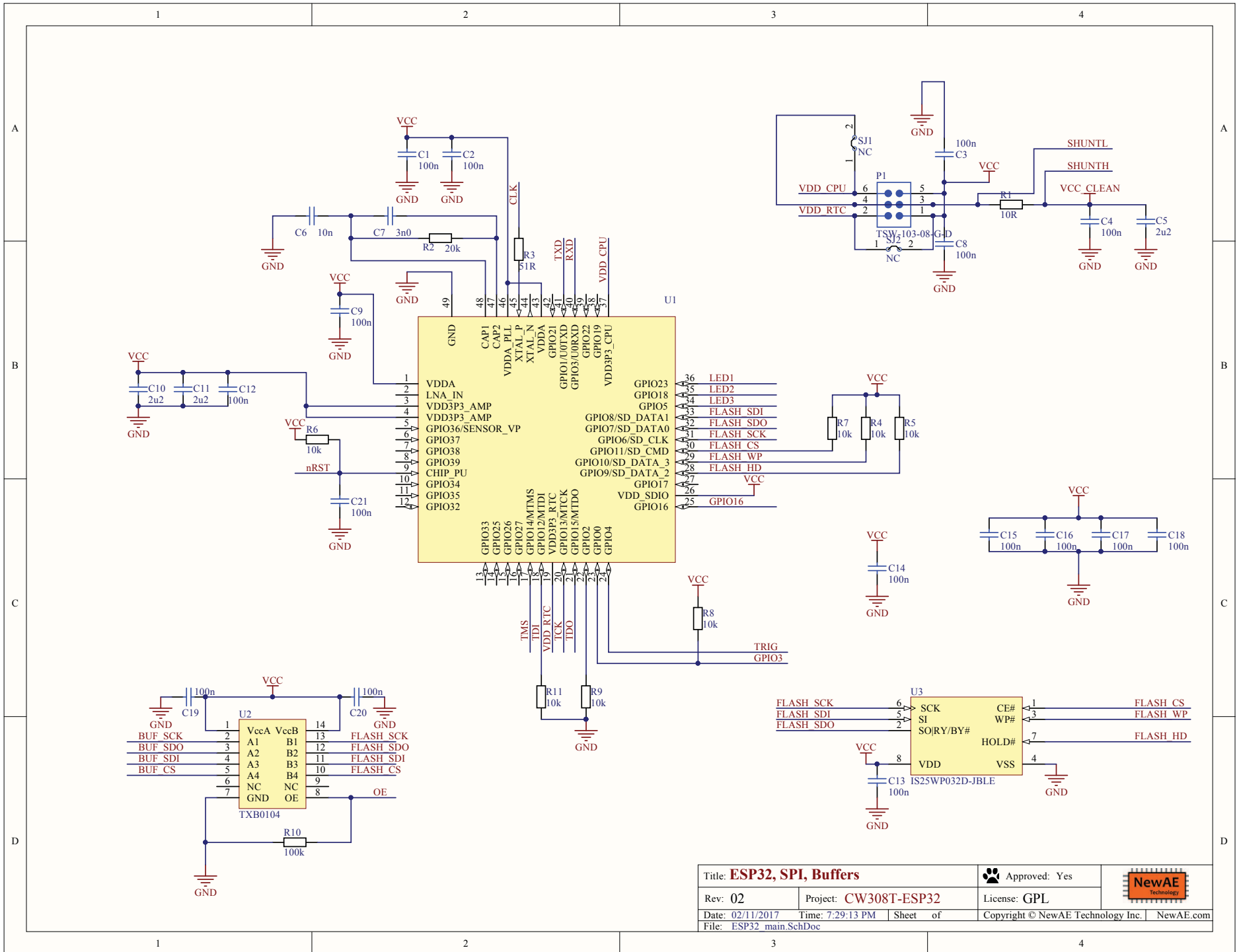
Firmware Example <https://github.com/newaetech/chipwhisperer/tree/develop/hardware/victims/firmware/esp32/simpleserial>

Schematic



Title: UFO Connections		Approved: Yes	
Rev: 02	Project: CW308T-ESP32	License: GPL	
Date: 02/11/2017	Time: 7:29:12 PM	Sheet of	Copyright © NewAE Technology Inc. NewAE.com
File: ESP32_cw.SchDoc			

Schematic



Title: ESP32, SPI, Buffers		Approved: Yes	
Rev: 02	Project: CW308T-ESP32	License: GPL	
Date: 02/11/2017	Time: 7:29:13 PM	Sheet of	Copyright © NewAE Technology Inc. NewAE.com
File: ESP32_main.SchDoc			

Disclaimers

All content is Copyright NewAE Technology Inc., 2018. ChipWhisperer is a trademark of NewAE Technology Inc., registered in the United States of America and Europe. ChipSHOUTER is a trademark of NewAE Technology Inc., registered in Europe. Trademarks are claimed in all jurisdictions and may be registered in other states than specified here.

NewAE Technology makes no representations or warranties with respect to the accuracy or completeness of the contents of this document and reserves the right to make changes to specifications and product descriptions at any time without notice. NewAE Technology does not make any commitment to update the information contained herein. NewAE Technology products are not intended, authorized, or warranted for use as components in applications intended to support or sustain life. NewAE Technology products are designed solely for teaching purposes.

All other product names and trademarks are the property of their respective owners, which are in no way associated or affiliated with NewAE Technology Inc. Use of these names does not imply any co-operation or endorsement.

Mouser Electronics

Authorized Distributor

Click to View Pricing, Inventory, Delivery & Lifecycle Information:

[NewAE Technology:](#)

[NAE-CW308T-ESP32](#)