

JST

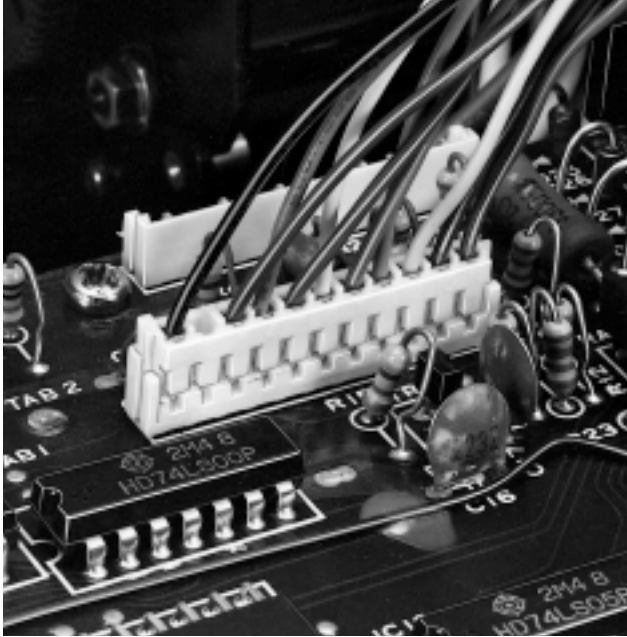
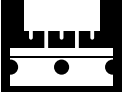
Crimp

2.5mm
(.098") pitch

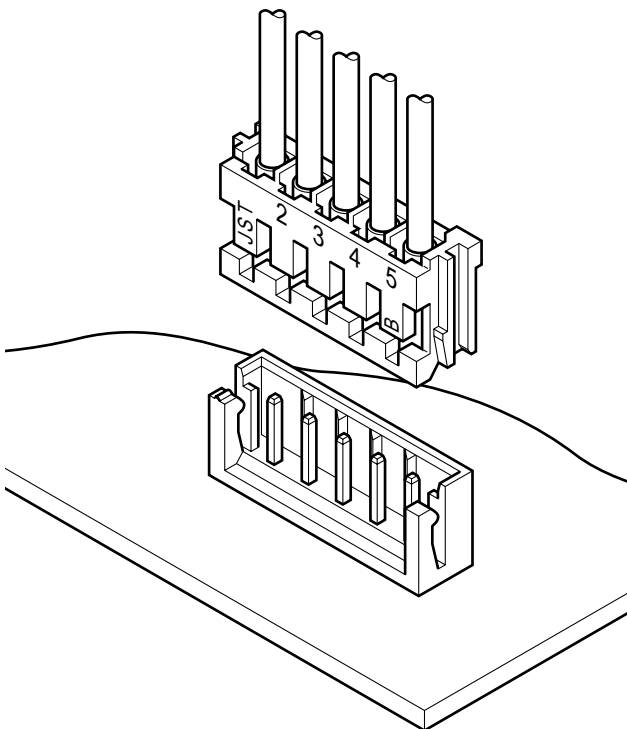
EH CONNECTOR

Disconnectable Crimp style connectors

Radial Tape



This, the thinnest, 2.5mm (.098") pitch connector, is 8.1mm (.319") in height after mounting and 3.8mm (.150") in width. It is designed to meet the demand for the high-density connection of internal wires to printed circuit boards. It is compact, highly reliable and low in cost.



Features

• **Compact and slim**

This connector is designed to be compact and unusually thin. It measures only 8.1mm (.319") high after mounting and is just 3.8mm (.150") wide.

• **Highly reliable contact**

The contact has long dimples near the center that ensure continuity of low voltage and low current circuits at all times, even under conditions of vibration and abusive prying.

• **Polarizing guides**

The header and housing have guides to prevent improper mating.

• **Whisker prevention**

The contact material is treated with a reflow process, and the square post is copper-undercoated and tin/lead-plated for whisker prevention.


• **Easy and effective crimping**

Although the contact is compact, it has a long wire strip length, $2.6 \pm 0.4\text{mm}$ (.102" \pm .016"). This long length is very useful for automatic crimping and when crimping shielded wires.


Specifications

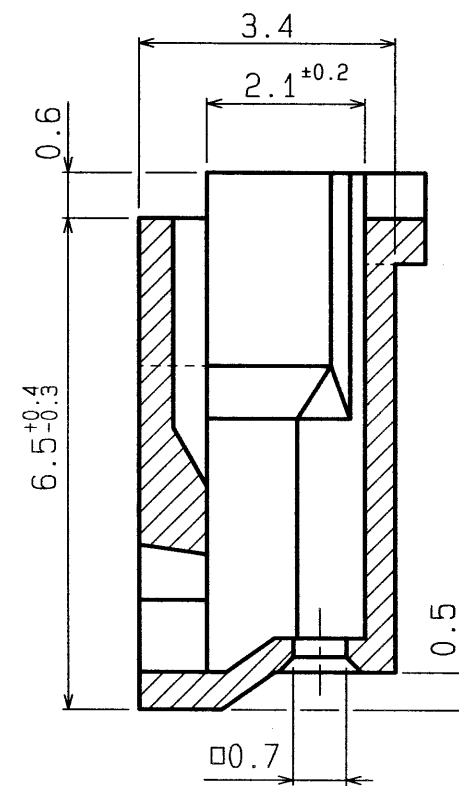
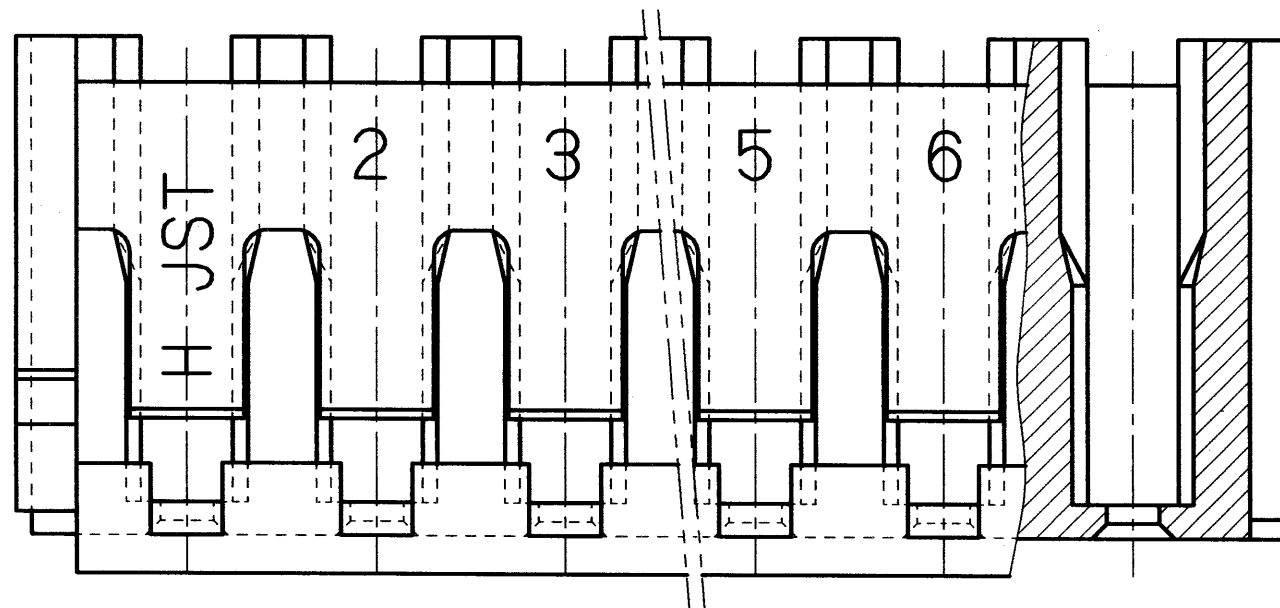
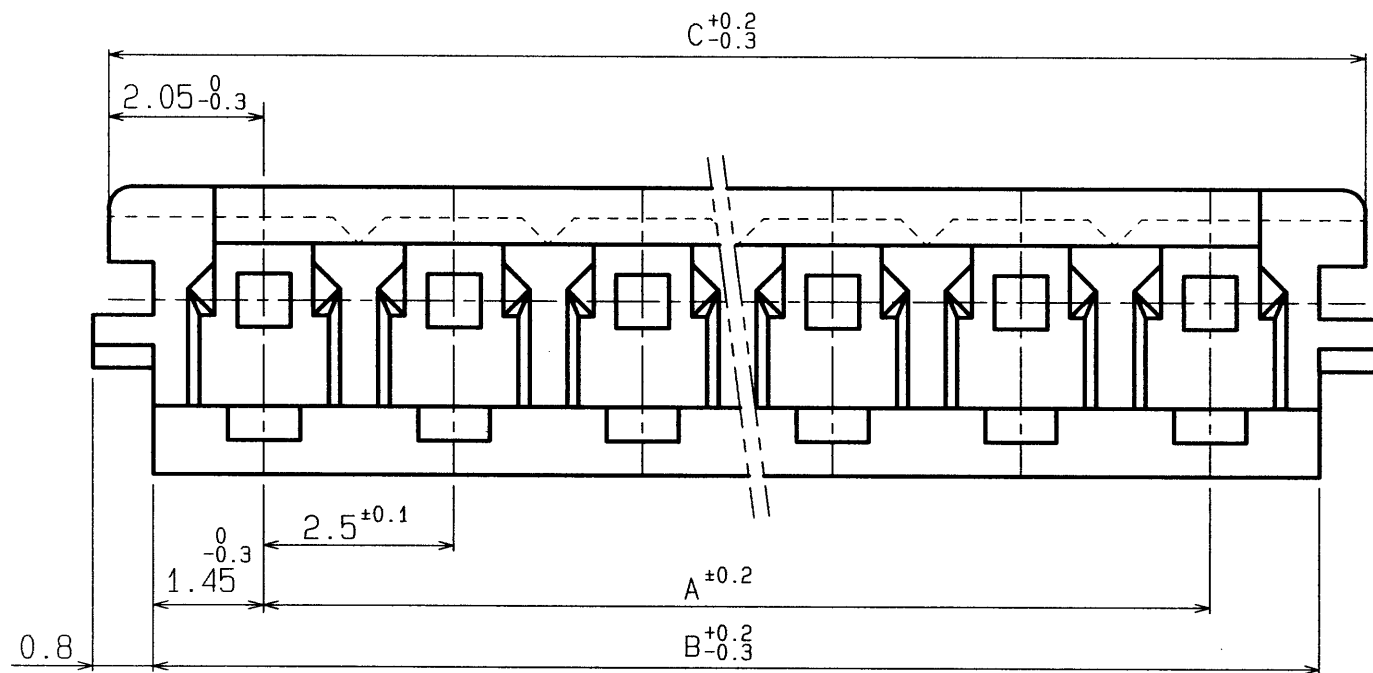
- Current rating: 3A AC, DC (AWG#22)
 - Voltage rating: 250V AC, DC
 - Temperature range: -25°C to +85°C
(including temperature rise in applying electrical current)
 - Contact resistance: Initial value/10m max.
After environmental testing/20m max.
 - Insulation resistance: 1,000M min.
 - Withstanding voltage: 800V AC/minute
 - Applicable wire: AWG #32 to #22
 - Applicable PC board thickness: 0.8 to 1.6mm (.031" to .063")
- * Contact JST for details.

Standards

 Recognized E60389

 Certified LR20812

 R75089



15	35.0	37.9	39.1
14	32.5	35.4	36.6
13	30.0	32.9	34.1
12	27.5	30.4	31.6
11	25.0	27.9	29.1
10	22.5	25.4	26.6
9	20.0	22.9	24.1
8	17.5	20.4	21.6
7	15.0	17.9	19.1
6	12.5	15.4	16.6
5	10.0	12.9	14.1
4	7.5	10.4	11.6
3	5.0	7.9	9.1
2	2.5	5.4	6.6
Cir- cuits	A	B	C

NOTE

- 1. Unless otherwise specified, tolerances are $0 < L \leq 3.0 : \pm 0.3$
- 3. $0 < L \leq 9.0 : \pm 0.4$

No.	NAME	MATERIAL	REMARKS	REVISIONS
	HOUSING	66NYLON	UL94V-0	
J. S. T.				PART NAME
APPROVED BY	CHECKED BY	DRAWN BY	SCALE	PROJECTION
DATE	PART No.		DRAWING No.	