

Customer Information Sheet

DRAWING No.: M22-301XX00 SHEET 2 OF 2

IF IN DOUBT - ASK



NOT TO SCALE

THIRD ANGLE PROJECTION

ALL DIMENSIONS IN mm

SPECIFICATION:

MATERIAL

MOULDING = NYLON 66 UL94V-2, BLACK

ELECTRICAL:

CURRENT RATING = 2A

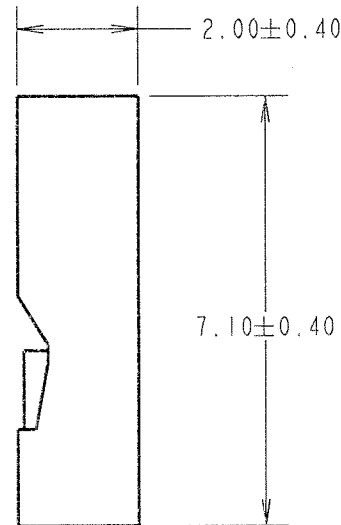
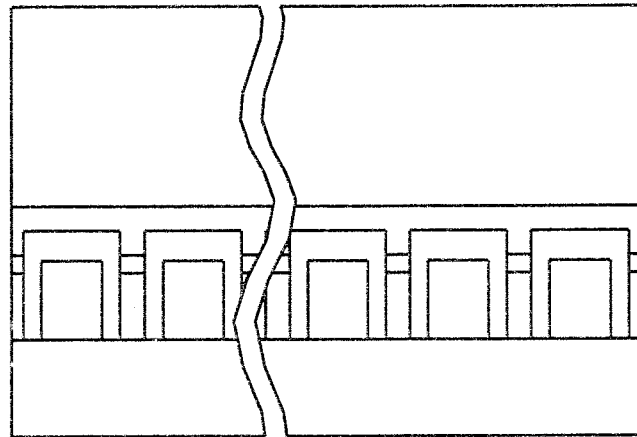
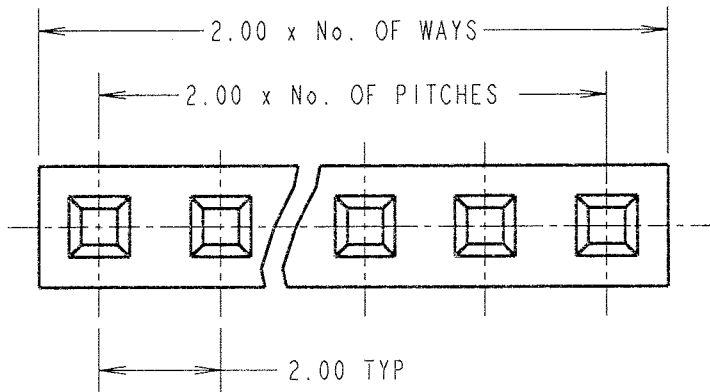
CONTACT RESISTANCE (INITIAL) = 10 MILLIOHMS MAX

CONTACT RESISTANCE (AFTER CONDITIONING) = 20 MILLIOHMS MAX

INSULATION RESISTANCE = 5000 MEGOHMS MIN

ENVIRONMENTAL:

OPERATING TEMPERATURE = -40°C TO +105°C



JMB	8	16.09.05	8741
NAME	ISS.	DATE	C/NOTE
APPROVED: <i>[Signature]</i>			
CHECKED: <i>[Signature]</i>			
DRAWN: I. SANDY			
CUSTOMER REF.:			
ASSEMBLY DRG:			

ORDER CODE:
M22-301XX00
No. OF WAYS:
01 TO 40

NOTES:

1. TO BE USED WITH CRIMP CONTACTS M22-30400XX (REELED) OR M22-30500XX (LOOSE).
2. ALL TOLERANCES ARE ±0.20 UNLESS OTHERWISE STATED.

HARWIN

THIS DRAWING AND ANY INFORMATION OR DESCRIPTIVE MATTER SET OUT HEREON ARE CONFIDENTIAL AND COPYRIGHT PROPERTY OF THE HARWIN GROUP AND MUST NOT BE DISCLOSED, LOANED, COPIED OR USED FOR MANUFACTURING, TENDERING OR FOR ANY OTHER PURPOSE WITHOUT THEIR WRITTEN PERMISSION.

TOLERANCES
~~/ = ± 1mm
 X.X = ± 0.25mm
 X.XX = ± 0.10mm
 X.XXX = ± 0.01mm
 ANGLES = ± 5°
 UNLESS STATED~~

MATERIAL:

SEE ABOVE

FINISH:

SEE ABOVE

S/AREA:

mm²

TITLE:

2.00mm SIL CRIMP
SOCKET HOUSING

DRAWING NUMBER:

M22-301XX00

SHT
2
OF
2

HARWIN INC
U.S.A.

TEL: (812) 542 2540
FAX: (812) 542 2541

HARWIN PLC
U.K.

TEL: 023 9231 4545
FAX: 023 9231 4590

HARWIN PTE
SINGAPORE

TEL: 65 6779 4909
FAX: 65 6779 3868