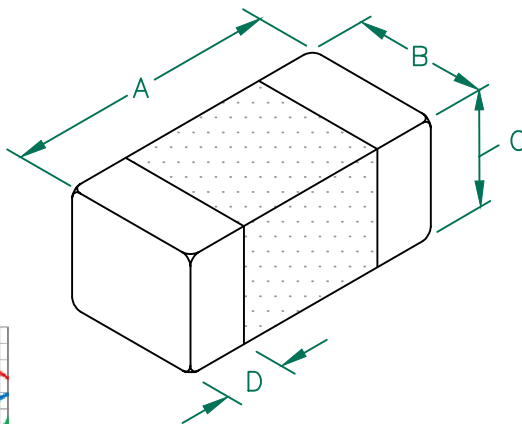


HI0603T260R-10

PHYSICAL DIMENSIONS:

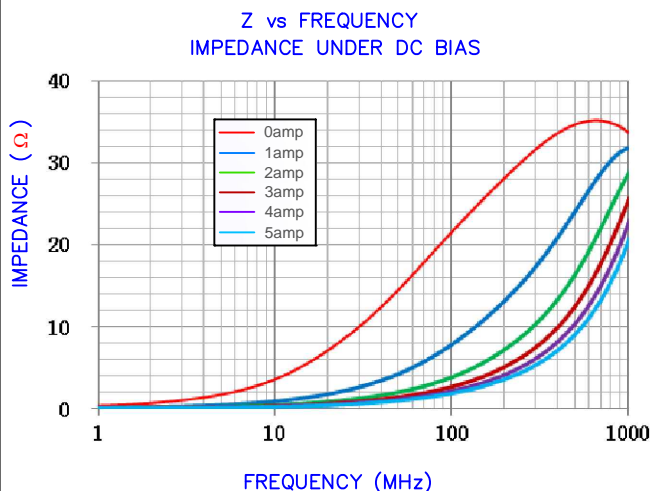
A	1.60 [.063]	+ 0.15	[-.006]
B	0.80 [.031]	+ 0.15	[-.006]
C	0.60 [.024]	+ 0.15	[-.006]
D	0.30 [.012]	+ 0.20	[-.008]



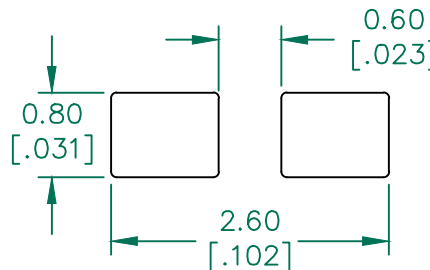
ELECTRICAL CHARACTERISTICS:			
Z @ 100MHz (Ω)	DCR (Ω)	Rated Current	
Nominal	26		
Minimum	19		
Maximum	33	0.007	6000 mA

NOTES: UNLESS OTHERWISE SPECIFIED

1. TAPED AND REELED per CURRENT EIA SPECIFICATIONS 7" REELS, 4000 PCS/REEL.
2. TERMINATION FINISH IS 100% TIN.
3. COMPONENTS SHOULD BE ADEQUATELY PREHEATED BEFORE SOLDERING.
4. OPERATING TEMPERATURE TEMP: -40°C~+125°C (INCLUDING SELF-HEATING)

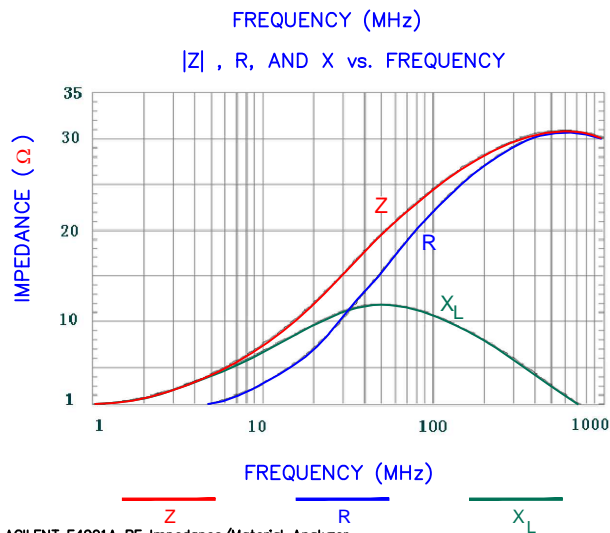
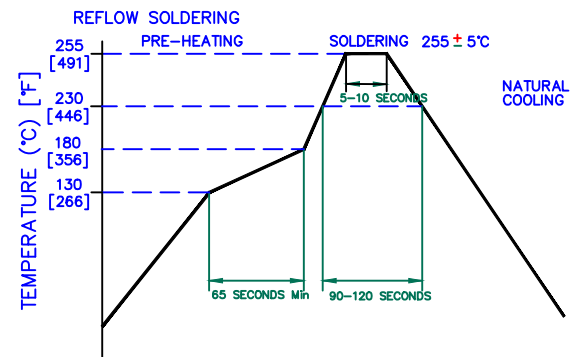


LAND PATTERNS FOR REFLOW SOLDERING



(For wave soldering, add 0.762 [.030] to this dimension)

RECOMMENDED SOLDERING CONDITIONS



DIMENSIONS ARE IN mm [INCHES].				This print is the property of Laird Tech. and is loaned in confidence subject to return upon request and with the understanding that no copies shall be made without the written consent of Laird Tech. All rights to design or invention are reserved.		Laird	
D	UPDATE LAIRD LOGO AND NOTES 4	08/05/13	QU	PROJECT/PART NUMBER:	REV	PART TYPE:	DRAWN BY:
C	ADD Z TOLERANCE AT 100MHz	01/08/13	QU	HI0603T260R-10	D	CO-FIRE	QU
B	ADD DC BIAS CURVE	11/28/12	QU	DATE:	SCALE:	SHEET:	
A	ORIGINAL DRAFT	11/08/12	QU	11/08/12	-		
REV	DESCRIPTION	DATE	INT	CAD #	TOOL #		
				HI0603T260R-10-D	-		