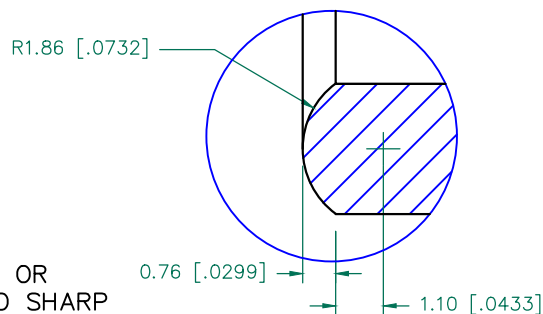


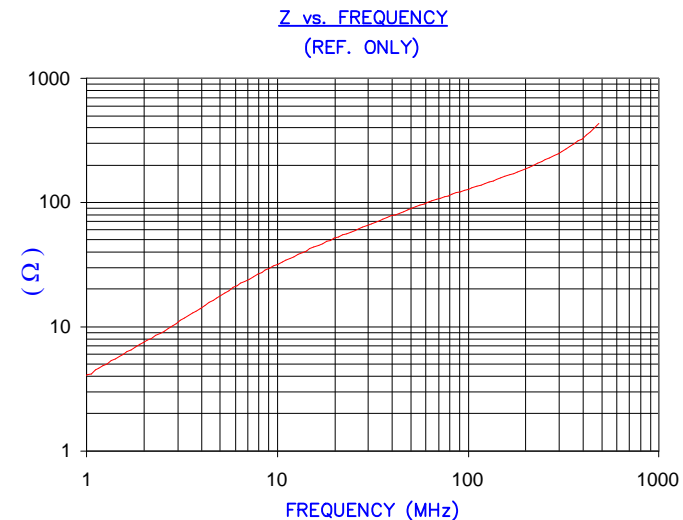
SECTION A-A

SEE DETAIL "A"



DETAIL "A"  
SCALE: 6:1  
TYPICAL

IMPEDANCE ( Z )			
Frequency	25 MHz	100 MHz	300 MHz
Nominal (REF)	60 Ω	129 Ω	248 Ω
Minimum	- Ω	103 Ω	- Ω



AGILENT E4991A Impedance/Material Analyzer  
HP 16092A Test Fixture

FERRITE CORE DIMENSIONS (SPEC): mm/inches

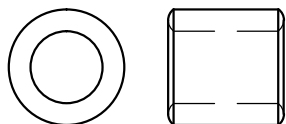
A	16.00 [.630]	±	0.32 [.013]
B	10.00 [.394]	±	0.18 [.007]
C	16.00 [.630]	±	0.40 [.016]

WEIGHT/1000 9.43 kgs [20.78 lbs]

NOTES:

- PARTS MUST BE TUMBLED, BURNISHED OR DEBURRED TO REMOVE ALL BURRS AND SHARP EDGES.
- COSMETIC SPECIFICATION REFER TO WI-QA-038.

SCALE DRAWING 1:1



28B0629-000

DIMENSIONS ARE IN MM [INCHES].

This print is the property of Laird Tech. and is loaned in confidence subject to return upon request and with the understanding that no copies shall be made without the written consent of Laird Tech. All rights to design or invention are reserved.



PROJECT/PART NUMBER: <b>28B0629-000</b>				REV <b>B</b>	PART TYPE: FERRITE CORE	DRAWN BY: Jcai
<b>B</b>	ADD NOTE 2	01/19/17	Jcai	DATE: 06/13/11	SCALE: 2.5 : 1	MATERIAL: FERRITE
<b>A</b>	PRELIMINARY DRAFT	06/13/11	Jcai	CAD # 28B0629-000-B	TOOL # B0629	
REV	DESCRIPTION	DATE	INT			