

8

7

6

5

4

3

2

1

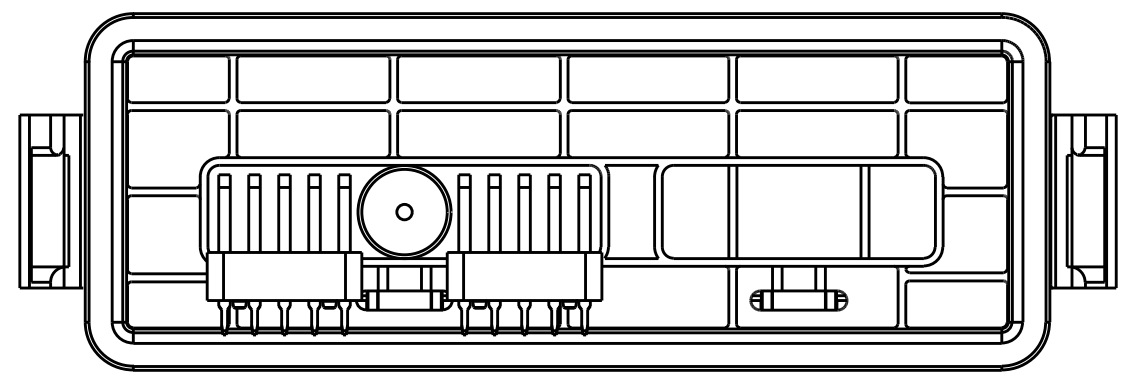
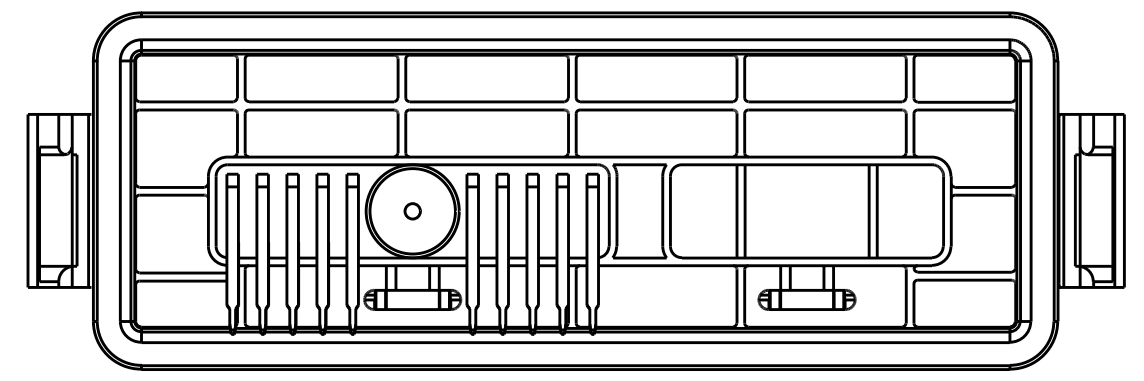
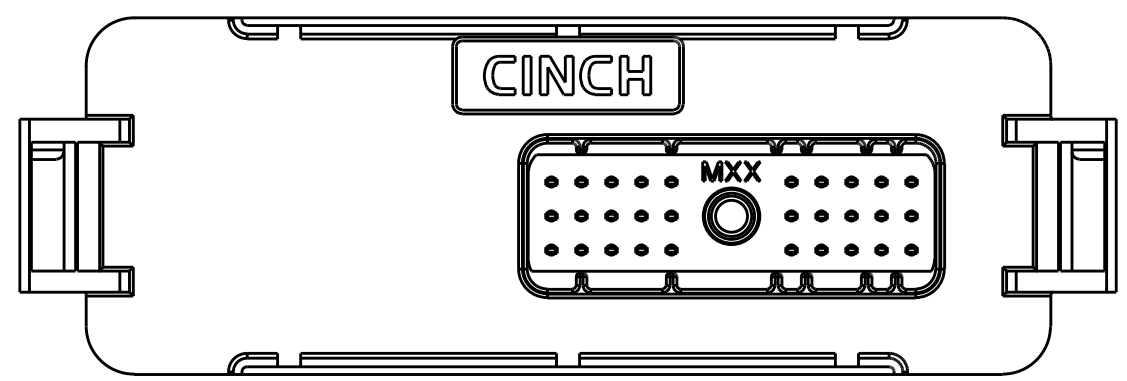
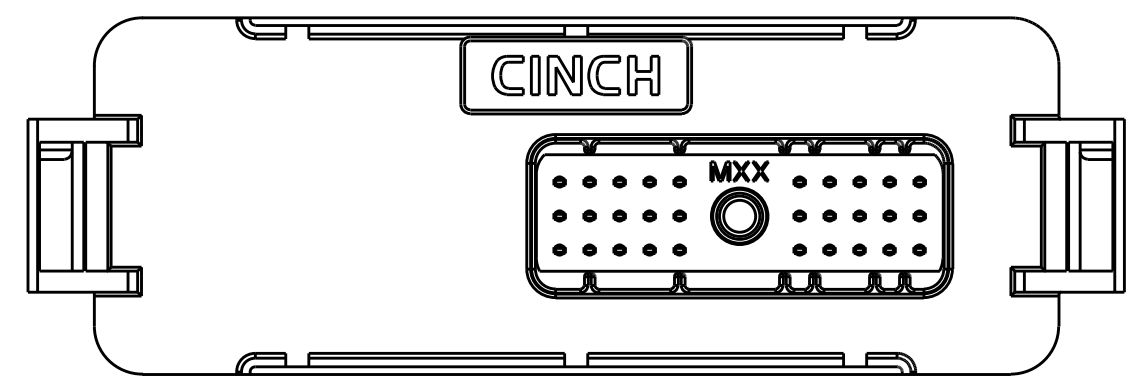
CINCH PART NUMBER MATRIX

P/N: 581 01 30 044

P/N: 581 01 30 046

30-WAY HEADER ASSEMBLY WITH OUT FERRITE FILTERS

30-WAY HEADER ASSEMBLY WITH FERRITE FILTERS



MATES WITH CINCH HARNESS CONNECTORS P/N:
581 01 30 029 (30-WAY)

DRAWING REVISIONS			
REV	DOCUMENT	APP	DATE
A	REL. FOR PRODUCTION D.O. 05-1157	A.C.	7/21/05
B	ECN: 05A468 ADDED LEGS AND ADDED SLOTS TO RIBS	A.C.	9/27/05
C	ECN: 06A032 ADDED SHEET 5 ADDED SHEET 6 MODIFIED SHEET 3 MODIFIED SHEET 4	A.C.	3/23/06
D	ECN: 06A409 REFORMATTED DRAWING PCB LAYOUTS REDRAWN WITH ADDITIONAL KEEP OUT AREAS	A.C.	9/29/06
E	CO 4256	N.C.	3/31/20

NOTE:

- ALL DIMENSIONS ARE IN INCHES;
DIMENSION INSIDE [.XX] ARE IN MM, AS REF. ONLY.
- MATERIALS:
INTERFACE SEAL: SILICONE RUBBER, COLOR BLUE;
INSULATOR: 30 % GLASS FILLED POLYMER, COLOR BLACK;
BUSHING: BRASS ALLOY, UNPLATED 10-24 UNC THREAD;
TERMINAL BLADE: 1.5 MM BRASS WITH TIN OVER NICKEL PLATING;
FILTERS: FERRITE BLOCKS.
- ALL HEADERS ARE REFLOW OR WAVE SOLDERING PROCESS, ROHS COMPLIANT.
- MATES WITH CINCH SHS PUSH-TO-SEAT HARNESS CONNECTORS (SEE TABLE ABOVE).
- THERMALLY CONDUCTIVE ADHESIVE PASTE SOLD SEPARATELY: RECOMMENDED IS LOCTITE 383.
- MOSFET SPRING PLATES ARE SOLD SEPARATELY (FOR INSTALLATION REFER TO ENCLOSURE ASSEMBLY INSTRUCTIONS)
SPRING LABELED AS "L" IS CINCH P/N: 581 00 00 020 AND SPRING LABELED AS "R" IS CINCH P/N: 581 00 00 021.
(IT IS RECOMMENDED THAT THE 4 SLOTS BE PROTECTED DURING CONFORMAL COATING)
- STANDARD PACKAGE SIZE: 72 PARTS/CARTON BOX.

UNITS		RoHS COMPLIANT		MODELED BY:	
ENGLISH		PRO/E		CINCH	
DO NOT SCALE DRAWING		DRAWN BY	DATE	TITLE	
UNLESS OTHERWISE SPECIFIED: ALL DIMENSIONS ARE IN INCHES		B. KOSTIC	09/03/04	30-WAY HEADERS MODICE SE	
FILLET/RADII .02 MAX		DESIGN ENGINEER		MATERIAL	
TOLERANCES .X ± .1 .XX ± .01 .XXX ± .005 ANGULAR ± .5°		B. KOSTIC	09/03/04	SEE NOTE 2.	
TOLERANCES AND LIMITS APPLY OVER ADDITIVE FINISH		DESIGN ENGINEERING MGR.		CONTROL SPEC NUMBER	
THIS DOCUMENT IS THE PROPERTY OF CINCH. NEITHER THIS DOCUMENT NOR ANY OF THE INFORMATION CONTAINED IN IT MAY BE DUPLICATED OR DISCLOSED WITHOUT PRIOR WRITTEN CONSENT OF CINCH.		A. CAINES	11/18/04	PROJECT NUMBER	
		MFG. ENGINEERING		A14562	
		R. GARZA	11/18/04	CAD FILE NUMBER	DRAWING NUMBER
		QUALITY ASSURANCE		5810130044s_HEADERS	581 01 30 044 S
		R. QUIROZ	11/18/04	CAGE IDENT NO.	SCALE
				71785	B 1:1
				SIZE	SHEET 1 OF 6

8

7

6

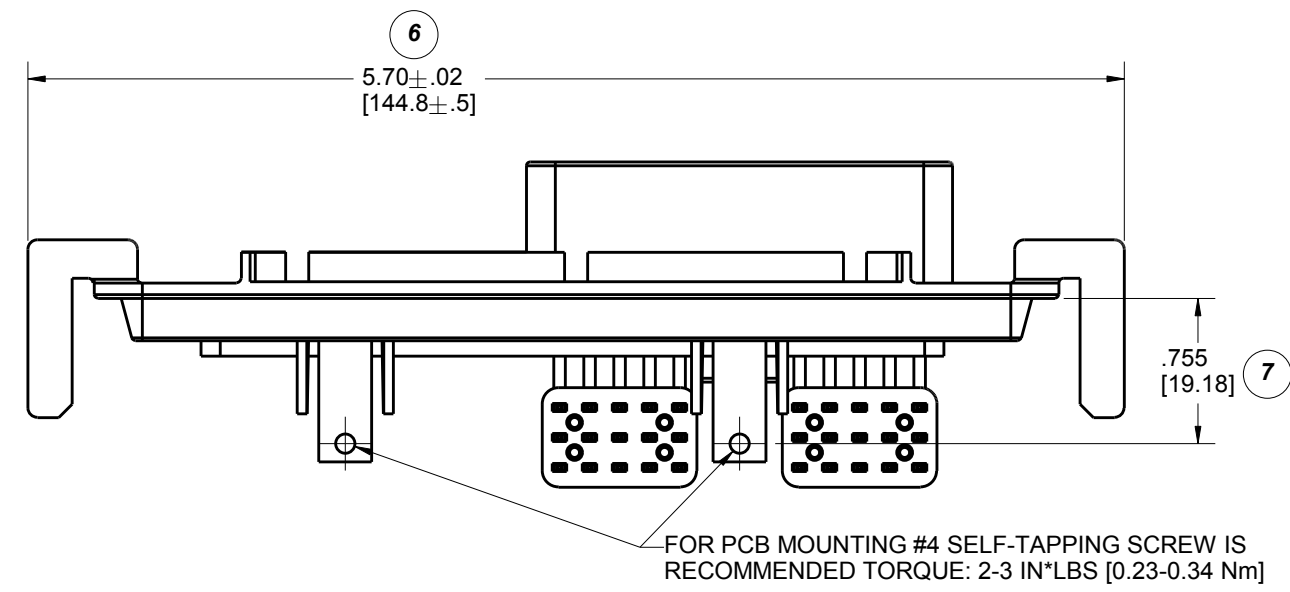
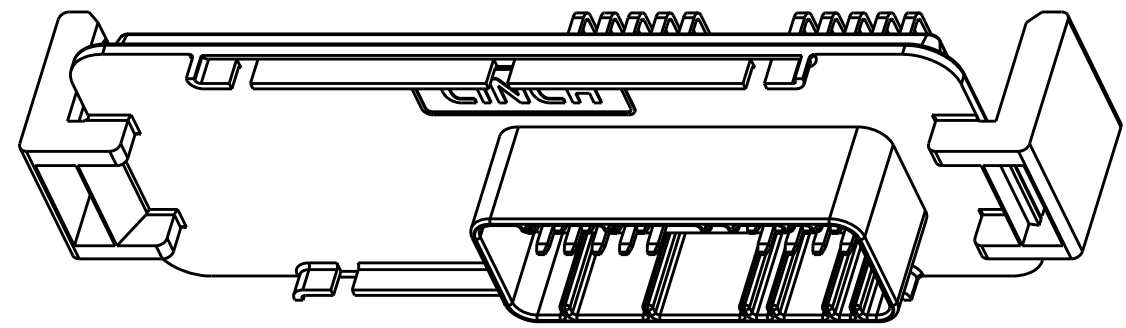
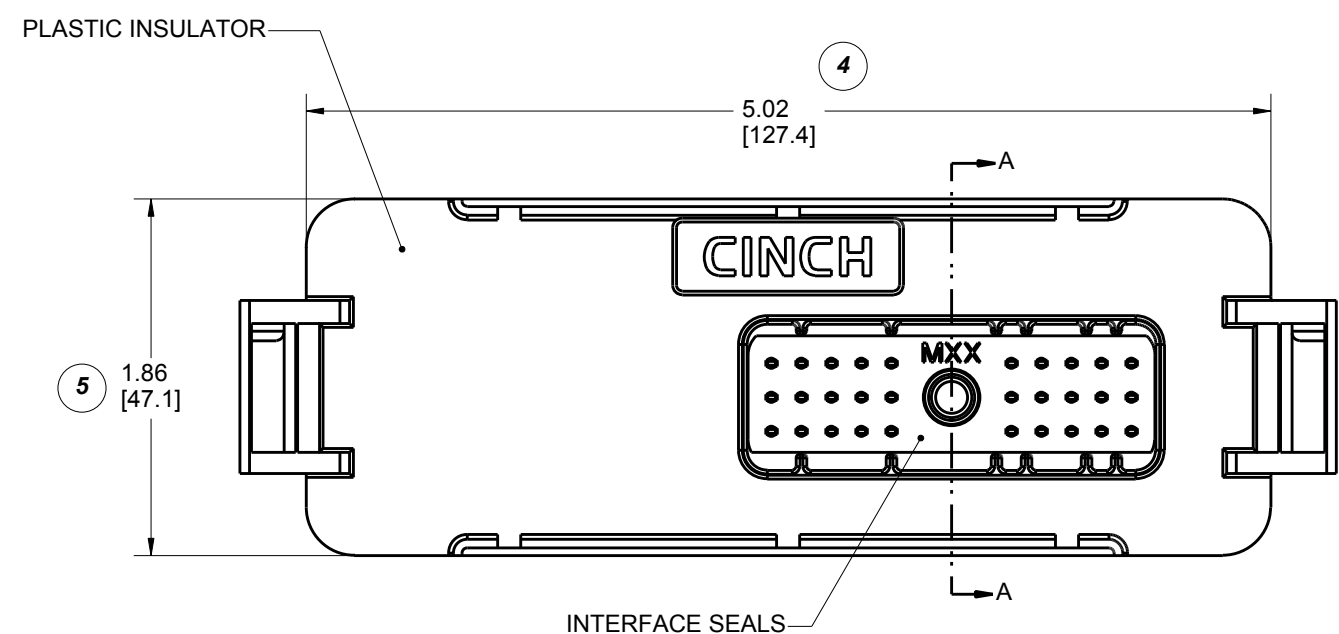
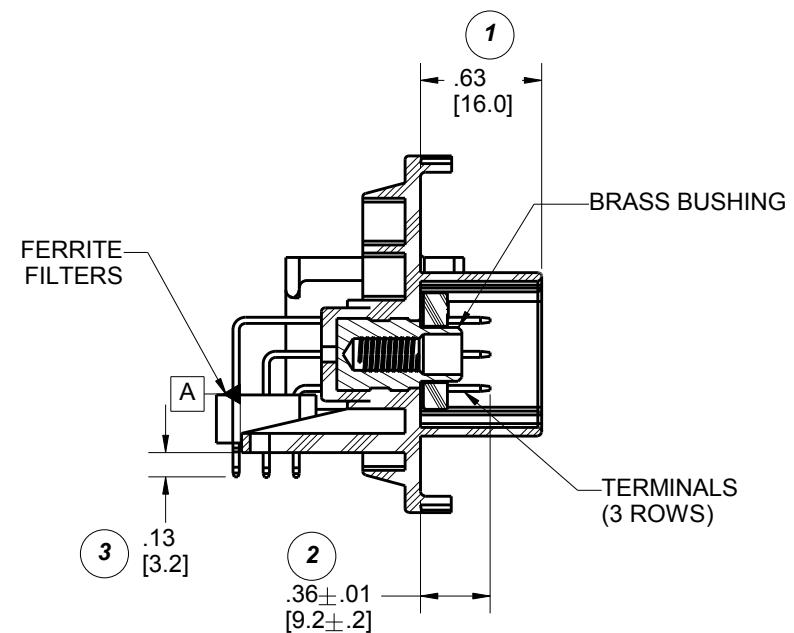
5

4

3

2

1



**CINCH P/N: 581 01 30 046 SHOWN
(HEADER WITH FILTERS)**

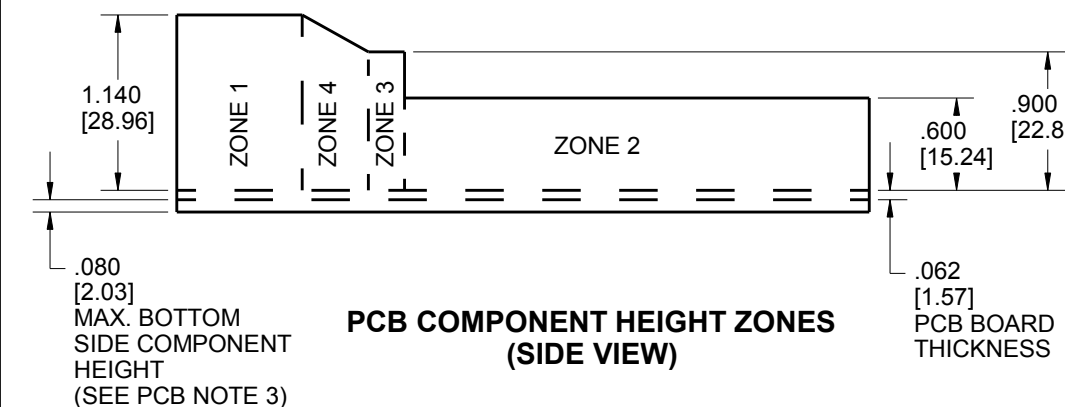
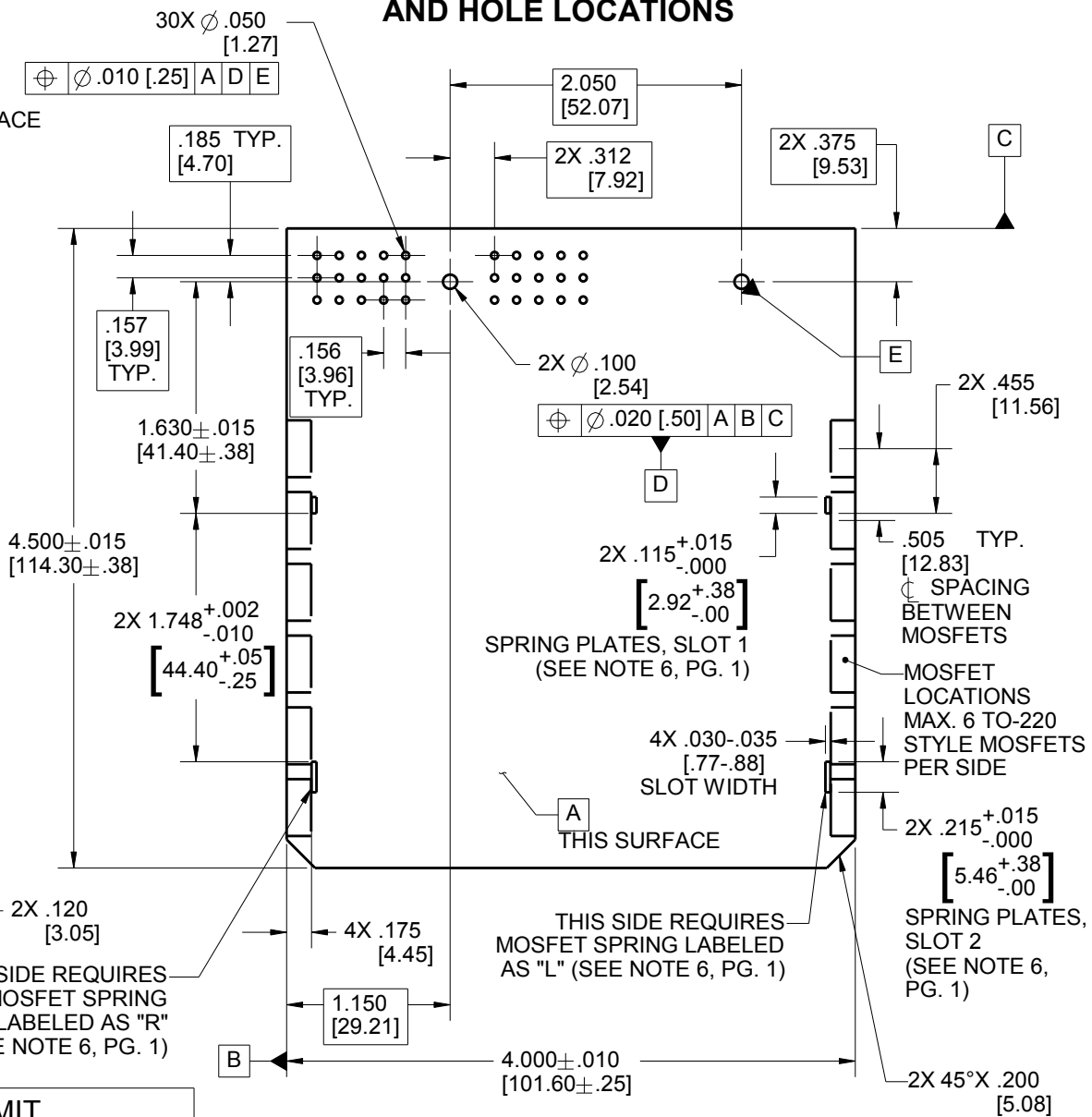
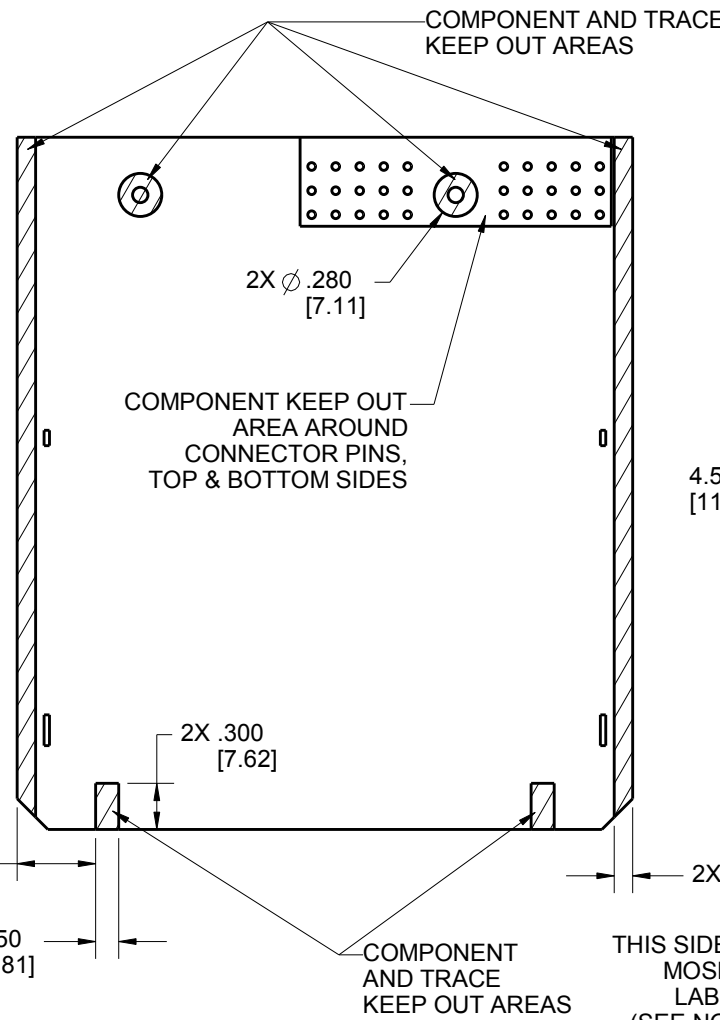
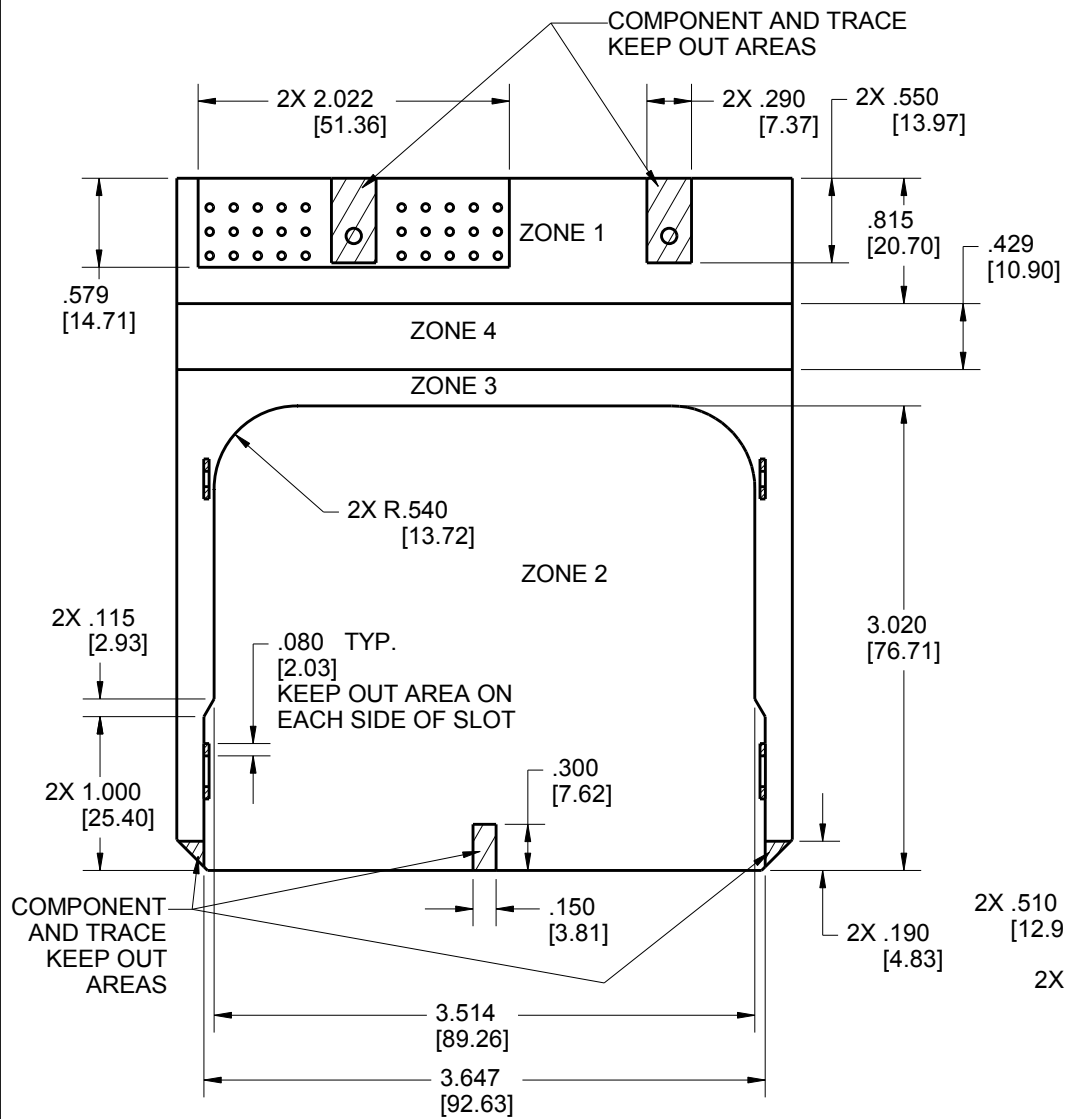
UNITS ENGLISH		CINCH		1700 FINLEY RD LOMBARD, IL. 60148	
DO NOT SCALE DRAWING		TITLE 30-WAY HEADERS MODICE SE			
UNLESS OTHERWISE SPECIFIED: ALL DIMENSIONS ARE IN INCHES		PRO/E DRAWING			
FILLET/RADII .02 MAX		TOLERANCES X ± .1 XX ± .01 XXX ± .005 ANGULAR ± .5°		CAD FILE NUMBER 5810130044s_HEADERS	DRAWING NUMBER 581 01 30 044 S
TOLERANCES AND LIMITS APPLY OVER ADDITIVE FINISH		CAGE IDENT NO. 71785	SIZE B	SCALE 1:1	REV E
THIS DOCUMENT IS THE PROPERTY OF CINCH. NEITHER THIS DOCUMENT NOR ANY OF THE INFORMATION CONTAINED IN IT MAY BE DUPLICATED OR DISCLOSED WITHOUT PRIOR WRITTEN CONSENT OF CINCH.		SHEET 2 OF 6			

PCB LAYOUT WITH TWO HEAT SINKS

PCB TOP SIDE GENERAL ZONING & KEEP OUT AREAS

PCB BOTTOM SIDE GENERAL ZONING & KEEP OUT AREAS

PCB OVERALL DIMENSIONS AND HOLE LOCATIONS



PCB COMPONENTS HEIGHT LIMIT

	ZONE 1	ZONE 2	ZONE 3	ZONE 4
MAX. HEIGHT FOR COMPONENTS (ABOVE PCB)	1.140"	.600"	.900"	SEE PCB NOTE 4

- PCB NOTES:
- IF MOSFET SPRINGS ARE USED, ZONE 3 SHOULD CONTAIN ONLY MOSFETS AND TRACES BETWEEN THE SPRINGS AND EDGE OF THE BOARD.
 - ON BOTTOM SIDE OF THE PCB, COMPONENTS OR TRACES MUST BE MIN. .100" AWAY FROM THE EDGE OF THE PCB.
 - THE BOTTOM SIDE OF THE PCB SHOULD NOT HAVE COMPONENTS OR LEADS THAT EXTEND HIGHER THAN .080" (SEE PG. 6 SIDE VIEW).
 - AREA HAS VARIABLE HEIGHT. SEE PCB COMPONENT HEIGHT ZONES VIEW FOR DETAILS.

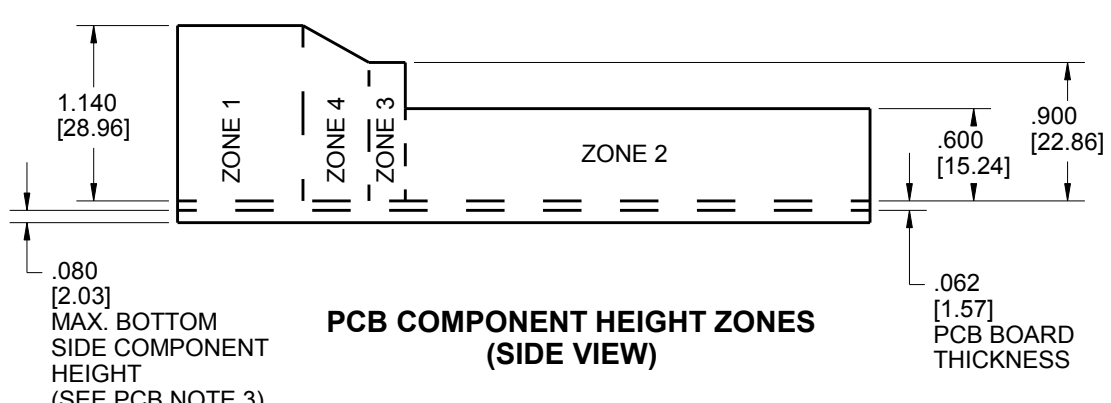
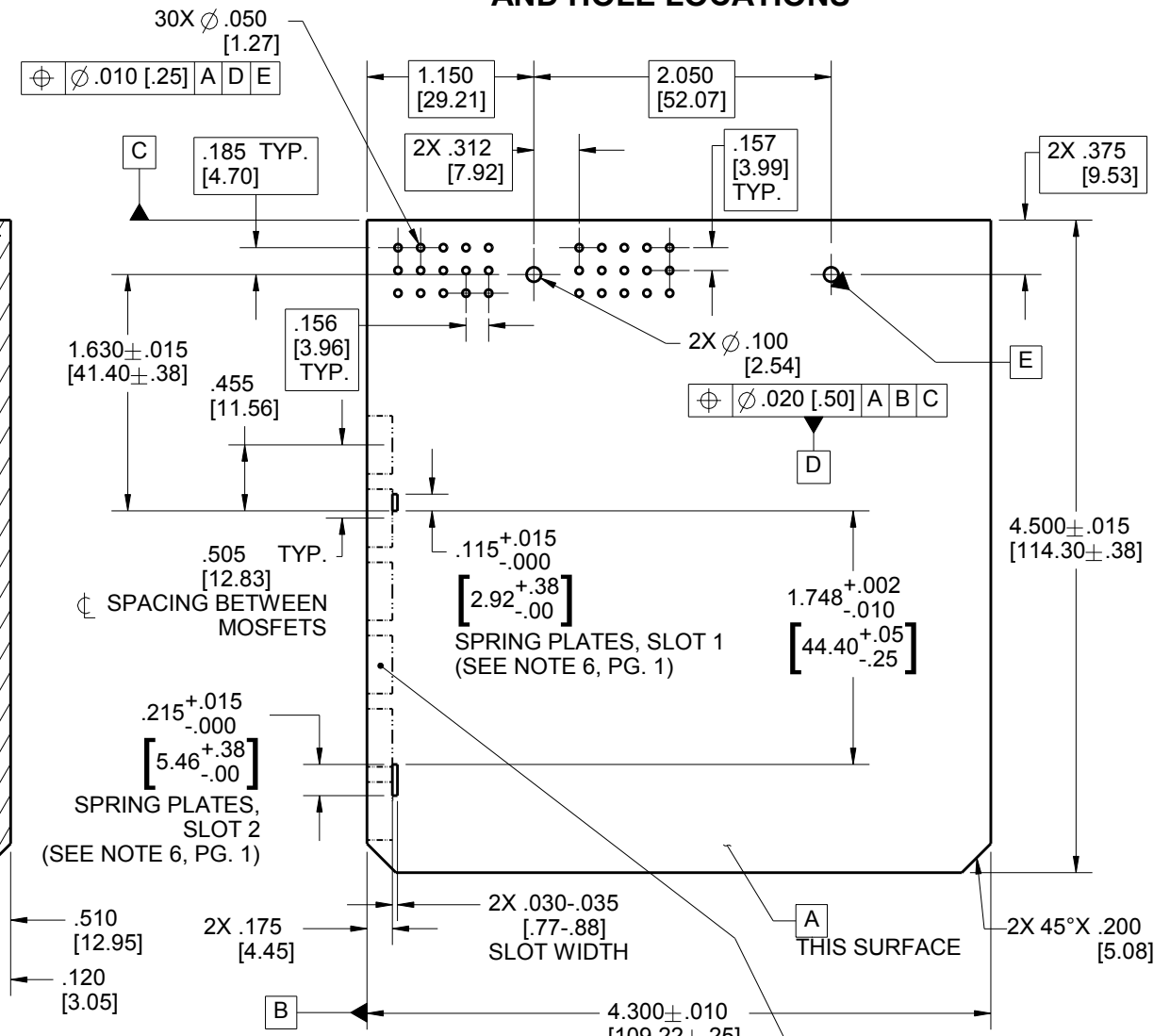
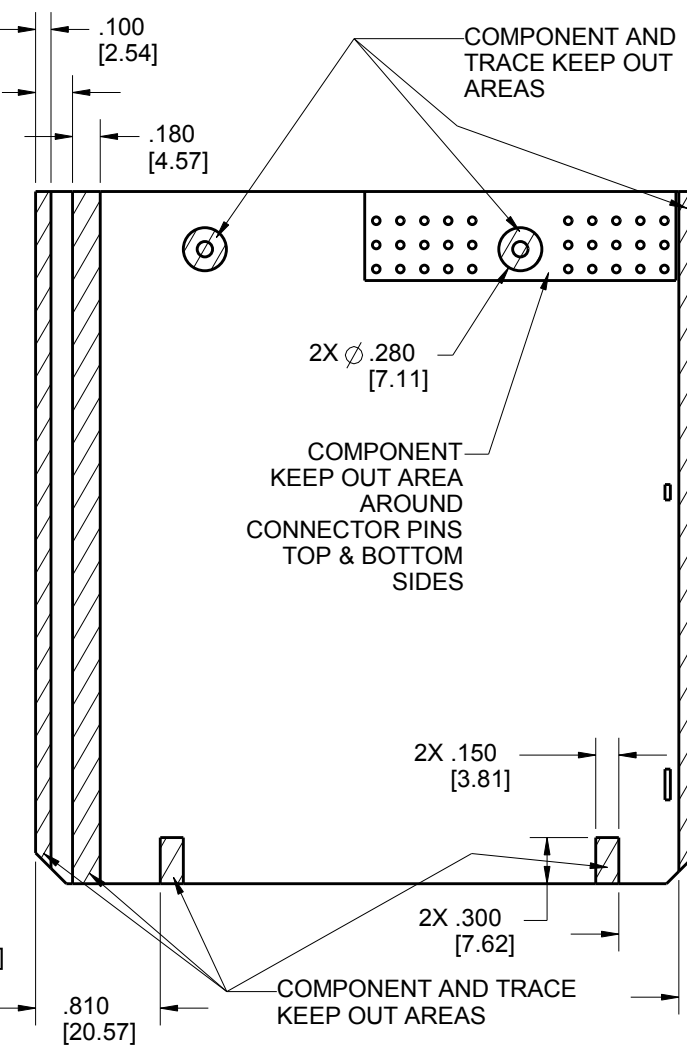
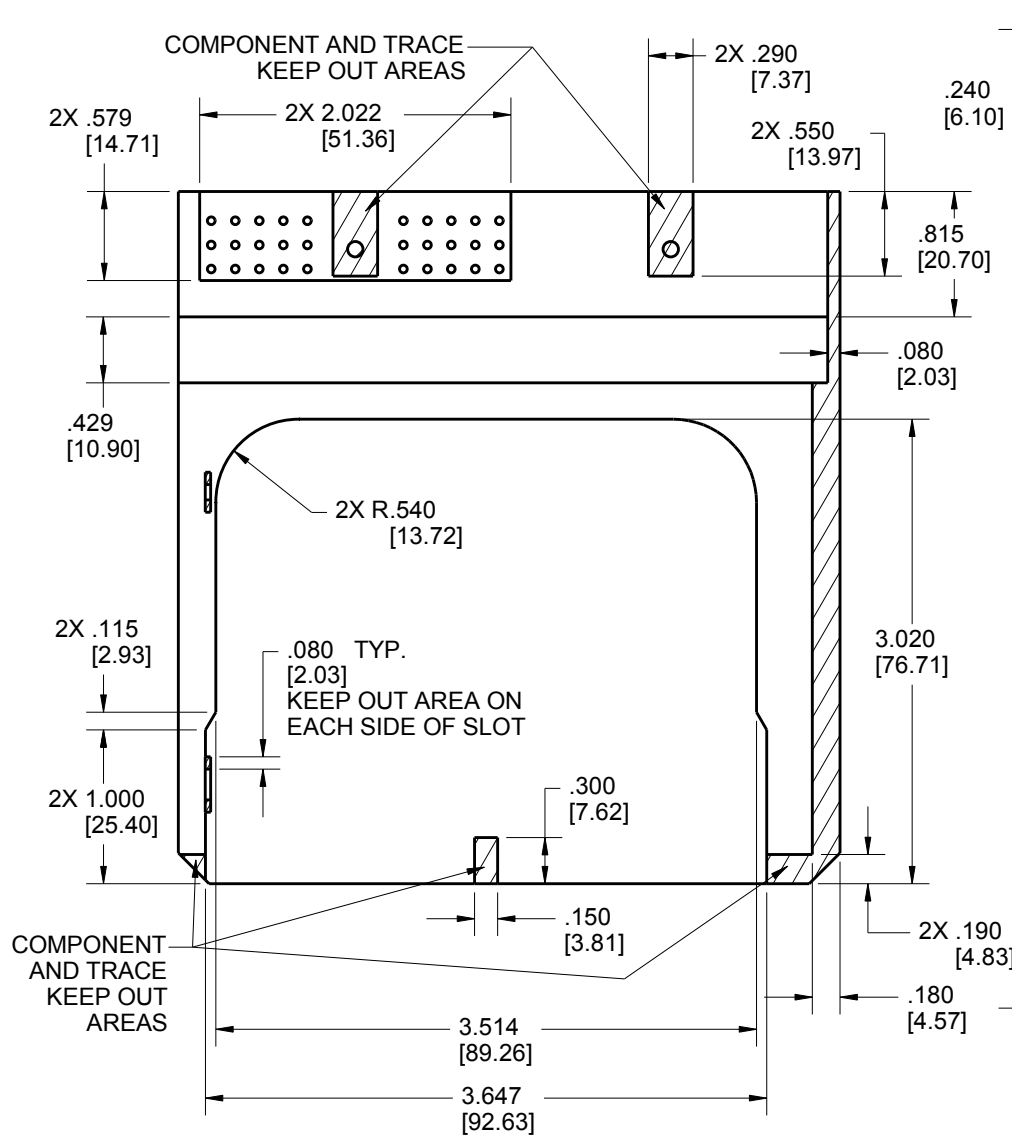
UNITS ENGLISH	CINCH		1700 FINLEY RD LOMBARD, IL. 60148
DO NOT SCALE DRAWING	TITLE 30-WAY HEADERS MODICE SE		
UNLESS OTHERWISE SPECIFIED: ALL DIMENSIONS ARE IN INCHES	PRO/E DRAWING		
FILLET/RADII .02 MAX	TOLERANCES X ± .1 XX ± .01 XXX ± .005 ANGULAR ± .5°	CAD FILE NUMBER 5810130044s_HEADERS	DRAWING NUMBER 581 01 30 044 S
TOLERANCES AND LIMITS APPLY OVER ADDITIVE FINISH	CAGE IDENT NO. 71785	SIZE B	SCALE 4:5
THIS DOCUMENT IS THE PROPERTY OF CINCH. NEITHER THIS DOCUMENT NOR ANY OF THE INFORMATION CONTAINED IN IT MAY BE DUPLICATED OR DISCLOSED WITHOUT PRIOR WRITTEN CONSENT OF CINCH.	SHEET 4 OF 6		REV E

PCB LAY-OUT WITH ONE HEAT SINK

PCB TOP SIDE GENERAL ZONING & KEEP OUT AREAS

PCB BOTTOM SIDE GENERAL ZONING & KEEP OUT AREAS

PCB OVERALL DIMENSIONS AND HOLE LOCATIONS



PCB COMPONENTS HEIGHT LIMIT				
	ZONE 1	ZONE 2	ZONE 3	ZONE 4
MAX. HEIGHT FOR COMPONENTS (ABOVE PCB)	1.140"	.600"	.900"	SEE PCB NOTE 4

- PCB NOTES:
- IF MOSFET SPRINGS ARE USED, ZONE 3 SHOULD CONTAIN ONLY MOSFETS AND TRACES BETWEEN THE SPRINGS AND EDGE OF THE BOARD.
 - ON BOTTOM SIDE OF THE PCB, COMPONENTS OR TRACES MUST BE MIN. .100" AWAY FROM THE EDGE OF THE PCB.
 - THE BOTTOM SIDE OF THE PCB SHOULD NOT HAVE COMPONENTS OR LEADS THAT EXTEND HIGHER THAN .080" (SEE PG. 6 SIDE VIEW).
 - AREA HAS VARIABLE HEIGHT. SEE PCB COMPONENT HEIGHT ZONES VIEW FOR DETAILS.

UNITS	ENGLISH	CINCH		1700 FINLEY RD LOMBARD, IL. 60148
DO NOT SCALE DRAWING		TITLE 30-WAY HEADERS MODICE SE		
UNLESS OTHERWISE SPECIFIED: ALL DIMENSIONS ARE IN INCHES		PRO/E DRAWING		
FILLET/RADII .02 MAX	TOLERANCES X ± .1 XX ± .01 XXX ± .005 ANGULAR ± .5°	CAD FILE NUMBER 5810130044s_HEADERS	DRAWING NUMBER 581 01 30 044 S	REV E
TOLERANCES AND LIMITS APPLY OVER ADDITIVE FINISH	THIS DOCUMENT IS THE PROPERTY OF CINCH. NEITHER THIS DOCUMENT NOR ANY OF THE INFORMATION CONTAINED IN IT MAY BE DUPLICATED OR DISCLOSED WITHOUT PRIOR WRITTEN CONSENT OF CINCH.	CAGE IDENT NO. 71785	SCALE 4:5	SHEET 5 OF 6

8

7

6

5

4

3

2

1

D

D

C

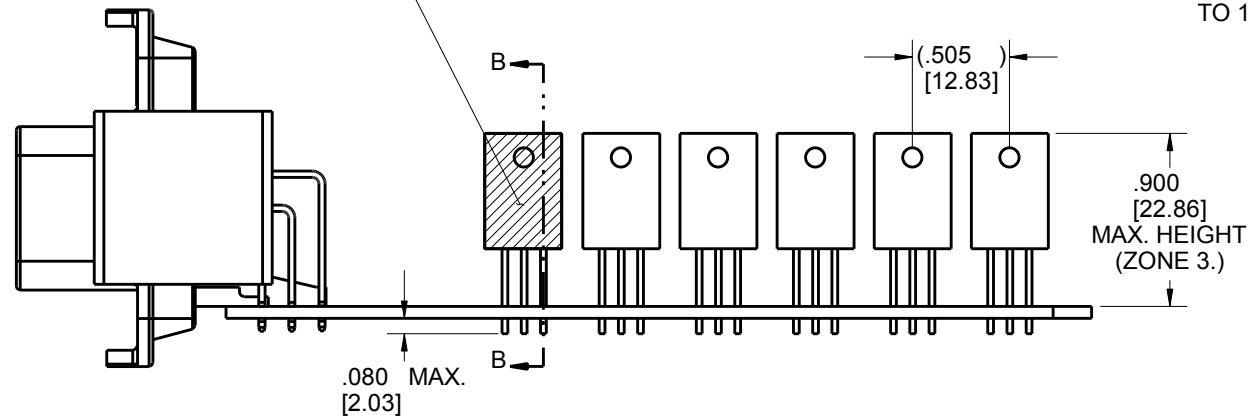
C

B

B

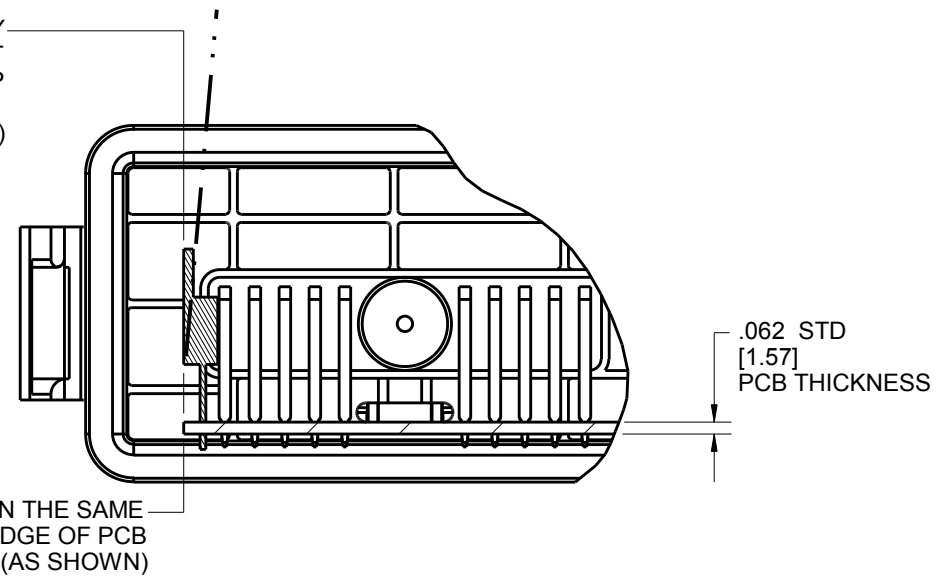
A

APPLY THIN BEAD OF THERMALLY CONDUCTIVE ADHESIVE PASTE TO ENTIRE MOSFET SURFACE. (SEE NOTE 5.)



**SIDE VIEW
REQUIRED TO-220 PACKAGE PROFILE**

FOR EASE OF ASSEMBLY IT IS RECOMMENDED THAT MOSFET(S) BE TILTED UP TO 10° IN POSITIVE DIRECTION (SEE DOTTED LINE)



**REQUIRES TO-220 PACKAGING PROFILE
PARTIAL SECTION B-B**

UNITS ENGLISH		CINCH		1700 FINLEY RD LOMBARD, IL. 60148	
DO NOT SCALE DRAWING		TITLE 30-WAY HEADERS MODICE SE			
UNLESS OTHERWISE SPECIFIED: ALL DIMENSIONS ARE IN INCHES		PRO/E DRAWING			
FILLET/RADII .02 MAX		TOLERANCES X ± .1 XX ± .01 XXX ± .005 ANGULAR ± .5°		CAD FILE NUMBER 5810130044s_HEADERS	DRAWING NUMBER 581 01 30 044 S
TOLERANCES AND LIMITS APPLY OVER ADDITIVE FINISH		CAGE IDENT NO. 71785	SIZE B	SCALE 1:1	REV E
THIS DOCUMENT IS THE PROPERTY OF CINCH. NEITHER THIS DOCUMENT NOR ANY OF THE INFORMATION CONTAINED IN IT MAY BE DUPLICATED OR DISCLOSED WITHOUT PRIOR WRITTEN CONSENT OF CINCH.		SHEET 6 OF 6			

8

7

6

5

4

3

2

1

Mouser Electronics

Authorized Distributor

Click to View Pricing, Inventory, Delivery & Lifecycle Information:

[Cinch Connectivity Solutions:](#)

[581-01-30-046](#) [581-01-30-044](#)