

PRODUCT NUMBER
75160-XXX-XXLF

RoHS COMPLIANT & COMPATIBLE, SEE NOTE 8
TOTAL NB OF POSITIONS 02 TO 36
PIN STYLE SEE SHEET 2

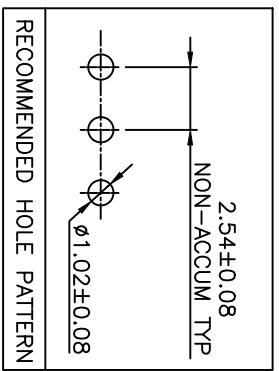
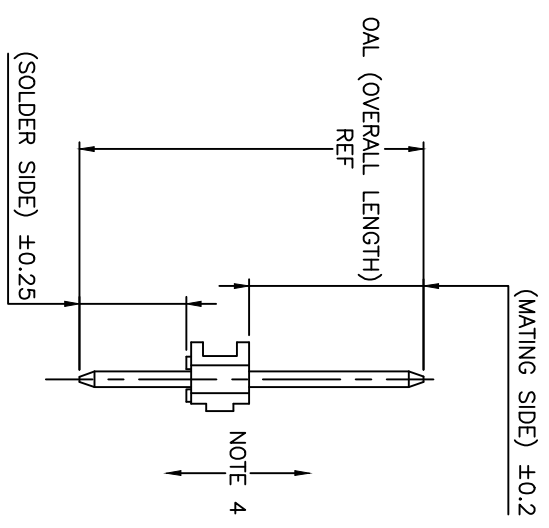
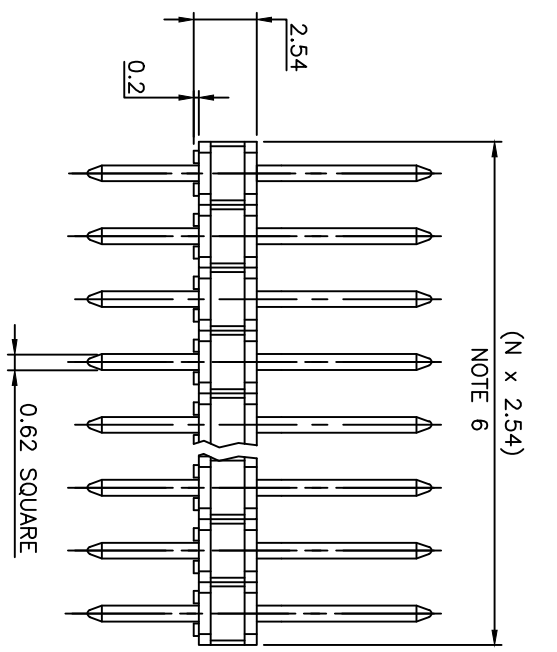
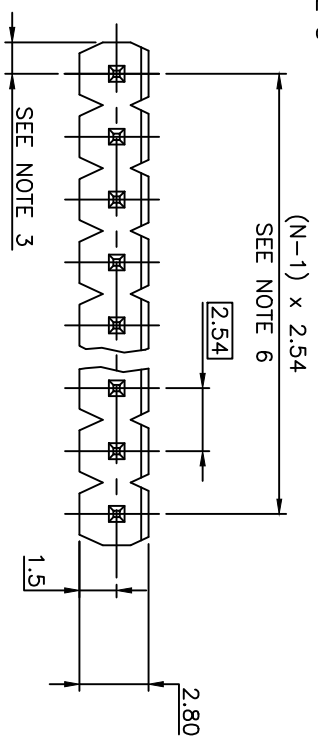
PLATING:

- 1 = 0.76µm FULL GOLD/GXT
- 3 = 2µm MIN MATTE TIN FULL PLATED
- 8 = 0.38µm FULL GOLD/GXT
- 1.27µm MIN NICKEL UNDERPLATING

NOTES:

1. HOUSING MAT'L : HIGH TEMPERATURE THERMOPLASTIC FLAME RETARDANT PER UL94-V0, COLOR BLACK.
2. PIN MATERIAL : PHOSPHOR BRONZE.
3. DIM 1.27^{+0.03}-0.13 FOR MOULDED SIDE(S) ONLY. IF SIDE(S) ARE BROKEN, DIM 1.02 TO 1.7 MAX APPLIES.
4. PIN PUSH OUT FORCE : 12N MIN.
5. PRODUCT PACKAGED IN POLY BAGS.
6. TO DETERMINE DIMENSIONS :
N = NUMBER OF POSITIONS
EXAMPLE : 8 POS N x 2.54 = 20.32mm
7. FOR STANDARD SELECTIVE GOLD PLATED PRODUCTS, SEE DRAWING 77311.
8. RoHS COMPATIBLE PRODUCT SPECIFICATIONS
- a - "LF" MEANS THE PRODUCT IS LEAD-FREE
- b - MANUFACTURING PROCESS COMPATIBILITY

- THE HOUSING WILL WITHSTAND EXPOSURE TO 260°C ±5°C SOLDER BATH TEMPERATURE FOR 5 SECONDS IN A WAVE SOLDER APPLICATION WITH A 1.6mm MIN THICK CIRCUIT BOARD.
- c - LABELING:
- MEETS PACKAGING SPECS AS PER GS-14-920
- d - LEGAL STATEMENT: SEE GS-47-0004



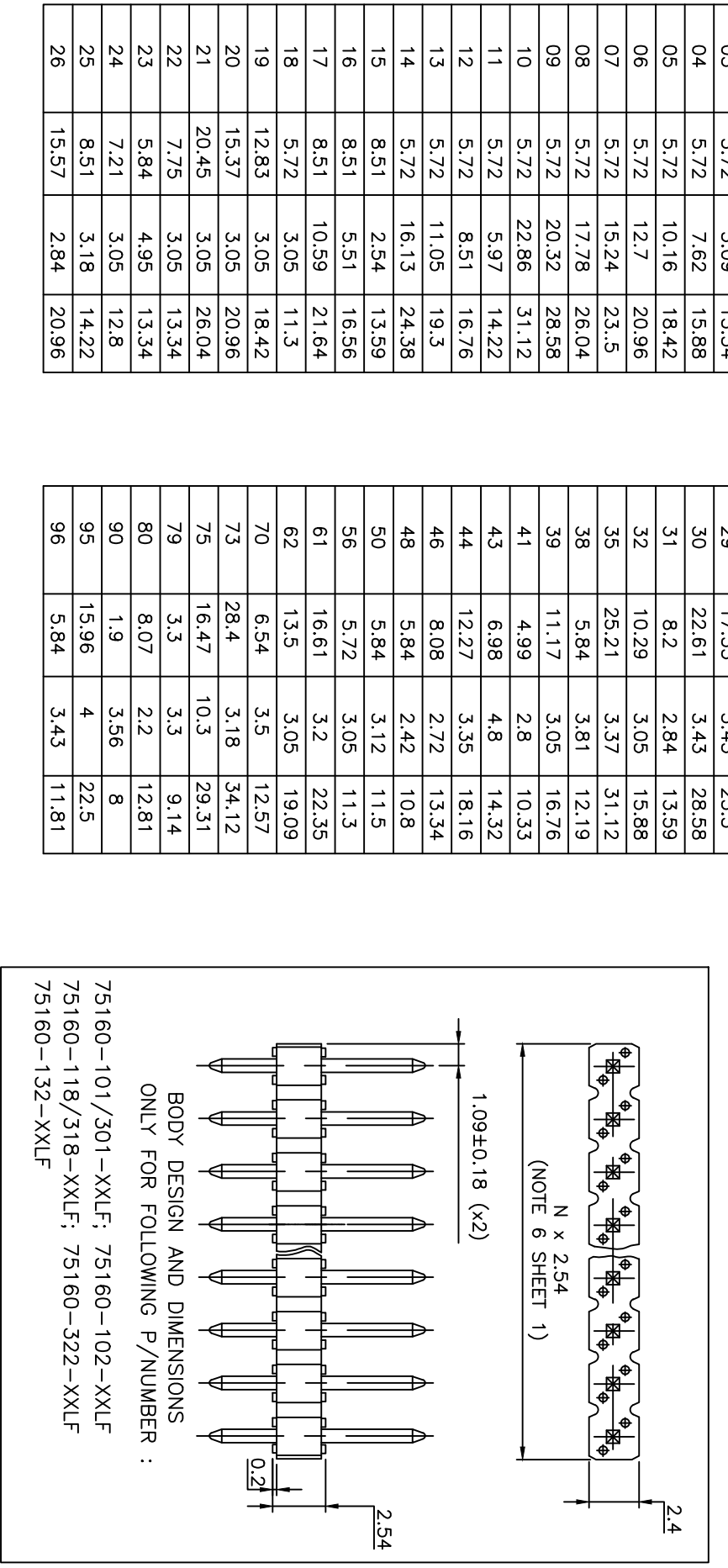
mat'l. code	surface	tolerance	projection	product family
SEE NOTES	ISO 1302	ISO 406 ISO 1101	BERGSTK	
lfr ecn no	lfr date	tolerances unless otherwise specified	mm	title
BR F20607	LWU 03.12.03	linear xxx ±0.3	mm	HEADER SR,STR
BS F03079	LWU 03.04.04	xxx ±0.15	mm	2.54mm PITCH
BT F05-0188	JCO 05.04.29	xxx ±0.05	mm	75160
BU F06-0198	LWU 06.06.20	D LEGRAND	Scale 5:1	sheet 1 of 2
BV F08-0148	JCO 08.05.27	engr JMC		size A3
BW B-19264	LWU 14.10.31	COMPAGNON		type CUSTOMER Drawing
index	revision	appd JMC		
sheet	sheet	BW BK		
1	2			

1 2 3 4 5 6

APPLICATION SPECIFIC			
PIN STYLE	MATING	SOLDER	OAL
01	5.72	2.54	10.8
02	5.84	3.43	11.81
03	5.72	5.09	13.34
04	5.72	7.62	15.88
05	5.72	10.16	18.42
06	5.72	12.7	20.96
07	5.72	15.24	23.5
08	5.72	17.78	26.04
09	5.72	20.32	28.58
10	5.72	22.86	31.12
11	5.72	25.4	33.66
12	5.72	27.94	36.2
13	5.72	30.48	38.74
14	5.72	33.02	41.28
15	5.72	35.56	43.82
16	5.72	38.1	46.36
17	5.72	40.64	48.9
18	5.72	43.18	51.44
19	5.72	45.72	53.98
20	5.72	48.26	56.52
21	5.72	50.8	59.06
22	5.72	53.34	61.6
23	5.72	55.88	64.14
24	5.72	58.42	66.68
25	5.72	60.96	69.22
26	5.72	63.5	71.76

APPLICATION SPECIFIC			
PIN STYLE	MATING	SOLDER	OAL
27	6.6	2.67	11.81
28	6.6	4.19	13.34
29	17.53	3.43	23.5
30	22.61	3.43	28.58
31	8.2	2.84	13.59
32	10.29	3.05	15.88
35	25.21	3.37	31.12
38	5.84	3.81	12.19
39	11.17	3.05	16.76
41	4.99	2.8	10.33
43	6.98	4.8	14.32
44	12.27	3.35	18.16
46	8.08	2.72	13.34
48	5.84	2.42	10.8
50	5.84	3.12	11.5
56	5.72	3.05	11.3
61	16.61	3.2	22.35
62	13.5	3.05	19.09
70	6.54	3.5	12.57
73	28.4	3.18	34.12
75	16.47	10.3	29.31
79	3.3	3.3	9.14
80	8.07	2.2	12.81
90	1.9	3.56	8
95	15.96	4	22.5
96	5.84	3.43	11.81

APPLICATION SPECIFIC			
PIN STYLE	MATING	SOLDER	OAL
97	7.75	3.05	13.34
98	10.29	3.05	15.88



BODY DESIGN AND DIMENSIONS
ONLY FOR FOLLOWING P/NUMBER :

75160-101/301-XXLF; 75160-102-XXLF
75160-118/318-XXLF; 75160-322-XXLF
75160-132-XXLF

APPLICATION SPECIFIC			
PIN STYLE	MATING	SOLDER	OAL
11	5.72	5.97	14.22
12	5.72	8.51	16.76
13	5.72	11.05	19.3
14	5.72	13.59	21.84
15	5.72	16.13	24.38
16	5.72	18.67	26.92
17	5.72	21.21	29.46
18	5.72	23.75	32.0
19	5.72	26.29	34.54
20	5.72	28.83	37.08
21	5.72	31.37	39.62
22	5.72	33.91	42.16
23	5.72	36.45	44.7
24	5.72	38.99	47.24
25	5.72	41.53	49.78
26	5.72	44.07	52.32

APPLICATION SPECIFIC			
PIN STYLE	MATING	SOLDER	OAL
27	6.6	2.67	11.81
28	6.6	4.19	13.34
29	17.53	3.43	23.5
30	22.61	3.43	28.58
31	8.2	2.84	13.59
32	10.29	3.05	15.88
35	25.21	3.37	31.12
38	5.84	3.81	12.19
39	11.17	3.05	16.76
41	4.99	2.8	10.33
43	6.98	4.8	14.32
44	12.27	3.35	18.16
46	8.08	2.72	13.34
48	5.84	2.42	10.8
50	5.84	3.12	11.5
56	5.72	3.05	11.3
61	16.61	3.2	22.35
62	13.5	3.05	19.09
70	6.54	3.5	12.57
73	28.4	3.18	34.12
75	16.47	10.3	29.31
79	3.3	3.3	9.14
80	8.07	2.2	12.81
90	1.9	3.56	8
95	15.96	4	22.5
96	5.84	3.43	11.81

mat'l. code		surface		tolerance		projection		product family	
SEE P/N	ISO 1302	ISO 406	ISO 1101	mm	mm	mm	mm	BERGSTIK	
lfr ecn no	lfr date	tolerances unless otherwise specified		x ±0.3		x ±0.15		title	
BH F05-0198 JCO	05.04.29	linear		xxx ±0.05		scale 5:1		HEADER STR, SR, 2.54mm PITCH	
BK B-19264 LMU	14.10.31	xxx ±0.05		99.04.07		99.04.07		sheet 2 of - size	
BF F20607 LM	03.12.03 chr	99.04.07		99.04.07		99.04.07		A3	
BG F03079 LMU	03.04.04	99.04.07		99.04.07		99.04.07		Drawing	
Sheet	revision								
Index	sheet								