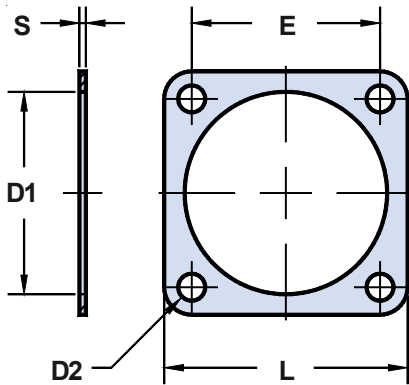
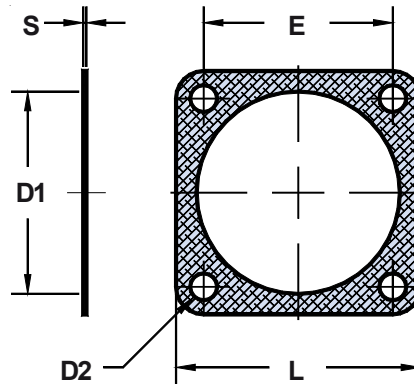


**FRONT PANEL MOUNT RECEPTACLE GASKET**

DA1 Non-Conductive



DA2 Conductive



**APPLICATION NOTES**

1. Conductive and non-conductive gaskets for front-mount square flange receptacles.
2. Other types of front and rear connector accessories are available. See our website and/or contact the factory for complete information.

**VG95234 DA1 and VG95234 DA2**  
**Front Panel Mount Receptacle Gasket**  
 Non-Conductive (DA ... 1) and Conductive (DA ... 2)



DIMENSIONS								
Part Number	Shell Size	D1 +1 -0	D2 +0.5 -0	E ±0.2	L ±0.5	S		Weight gr. Max
						1 ±0.4	2 ±0.2	
VG95234 DA 10SL	10SL	15.7	4.2	18.2	24.4	1.0	0.5	2
VG95234 DA 14S	14S	22.1	4.2	23.0	30.0	1.0	0.5	2
VG95234 DA 16	16S - 16	25.3	4.2	24.6	32.5	1.0	0.5	2
VG95234 DA 18	18	28.4	4.2	27.0	35.0	1.0	0.5	2
VG95234 DA 20	20	31.6	4.2	29.4	38.0	1.0	0.5	2
VG95234 DA 22	22	34.8	4.2	31.8	41.0	1.0	0.5	2
VG95234 DA 28	28	44.3	5.1	39.7	50.8	1.0	0.5	2
VG95234 DA 32	32	50.7	5.1	44.5	57.0	1.0	0.5	2
VG95234 DA 36	36	57.0	5.1	49.2	63.5	1.0	0.5	2