

Vent



Specification

(VENT) Vent

Type

(PS1) M12 x 1.5 (Plastic) **(MS1)** M12 x 1.5(Metal)**(PS2)** M6 x 0.75 (Plastic) **(PQ.1)** Snap-in (Plastic)

Assembly (Style)

(Y) With Nut**(N)** Without Nut

Housing Color

(BK) Black**(GY)** Gray**(ME)** Metallic

Membrane

(O) Oleophobic**(N)** W/O Oleophobic

Waterproof Rating

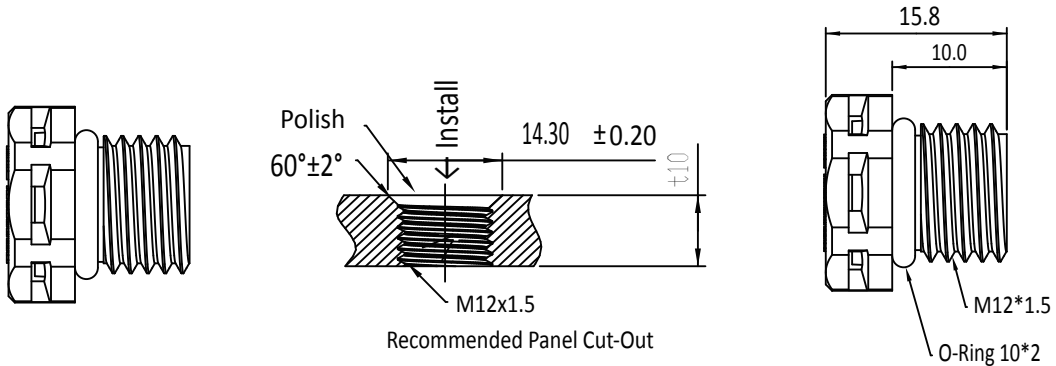
(8) IP 68

More Information

001, 002, 003.....

4 5 6 7

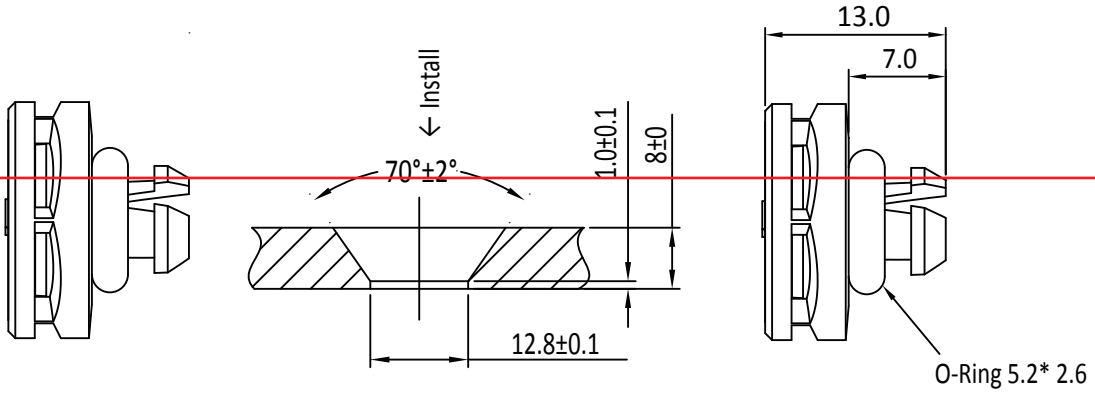
Find Our Standard Products



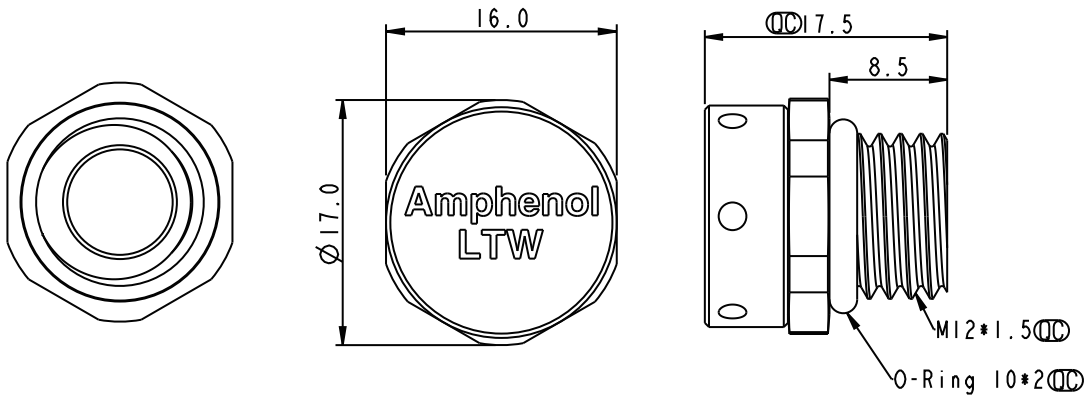
Without Nut					
Part Number	Air Permeability	Body Color	O-ring Color	Oleophobic	Waterproof Rating
VENT-PS1NGY-N8001	>1000 ml/min@70mbar	Gray	Blue	N	IP68 / IP69K
VENT-PS1NBK-N8001	>1000 ml/min@70mbar	Black	Blue	N	IP68 / IP69K
VENT-PS1NGY-O8001	>550 ml/min@70mbar	Gray	Black	Y	IP68 / IP69K
VENT-PS1NBK-O8001	>550 ml/min@70mbar	Black	Black	Y	IP68 / IP69K
VENT-PS1NGY-O8002	>1000 ml/min@70mbar	Gray	Green	Y	IP68 / IP69K
VENT-PS1NBK-O8002	>1000 ml/min@70mbar	Black	Green	Y	IP68 / IP69K
VENT-PS1NGY-N8002	>3000 ml/min@70mbar	Gray	Red	N	IP68
VENT-PS1NBK-N8002	>3000 ml/min@70mbar	Black	Red	N	IP68

With Nut					
Part Number	Air Permeability	Body Color	O-ring Color	Oleophobic	Waterproof Rating
VENT-PS1YGY-N8001	>1000 ml/min@70mbar	Gray	Blue	N	IP68 / IP69K
VENT-PS1YBK-N8001	>1000 ml/min@70mbar	Black	Blue	N	IP68 / IP69K
VENT-PS1YGY-O8001	>550 ml/min@70mbar	Gray	Black	Y	IP68 / IP69K
VENT-PS1YBK-O8001	>550 ml/min@70mbar	Black	Black	Y	IP68 / IP69K
VENT-PS1YGY-O8002	>1000 ml/min@70mbar	Gray	Green	Y	IP68 / IP69K
VENT-PS1YBK-O8002	>1000 ml/min@70mbar	Black	Green	Y	IP68 / IP69K
VENT-PS1YGY-N8002	>3000 ml/min@70mbar	Gray	Red	N	IP68
VENT-PS1YBK-N8002	>3000 ml/min@70mbar	Black	Red	N	IP68

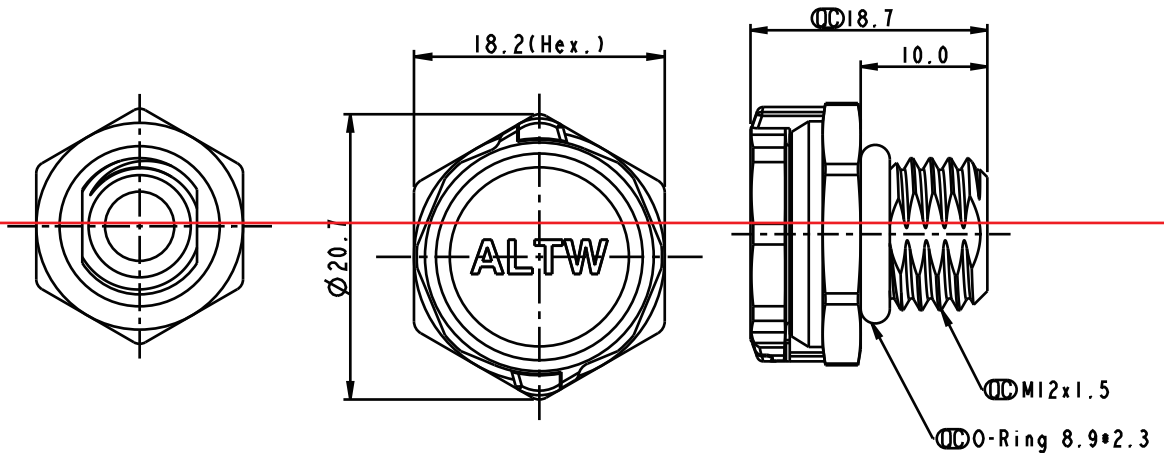
* Design and specification are subject to change without notice.



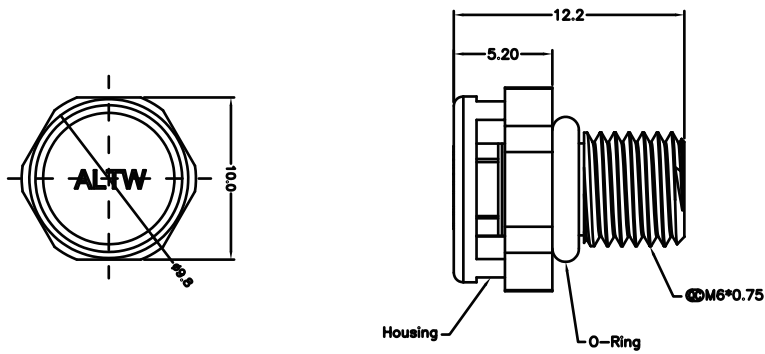
Snap in					
Part Number	Air Permeability	Body Color	O-ring Color	Oleophobic	Waterproof Rating
VENT-PQ1NGY-N8001	>1000 ml/min@70mbar	Gray	Blue	N	IP68 / IP69K
VENT-PQ1NBK-N8001	>1000 ml/min@70mbar	Black	Blue	N	IP68 / IP69K
VENT-PQ1NGY-O8001	>550 ml/min@70mbar	Gray	Black	Y	IP68 / IP69K
VENT-PQ1NBK-O8001	>550 ml/min@70mbar	Black	Black	Y	IP68 / IP69K
VENT-PQ1NGY-O8002	>1000 ml/min@70mbar	Gray	Green	Y	IP68 / IP69K
VENT-PQ1NBK-O8002	>1000 ml/min@70mbar	Black	Green	Y	IP68 / IP69K
VENT-PQ1NGY-N8002	>3000 ml/min@70mbar	Gray	Red	N	IP68 / IP69K
VENT-PQ1NBK-N8002	>3000 ml/min@70mbar	Black	Red	N	IP68 / IP69K



Stainless					
Part Number	Air Permeability	Body Color	O-ring Color	Oleophobic	Waterproof Rating
VENT-MS1NMS-O8001	>1600 ml/min@70mbar	Silver	Black	Y	IP68 / IP69K



Metal					
Part Number	Air Permeability	Body Color	O-ring Color	Oleophobic	Waterproof Rating
VENT-MS1NME-O8001	>1760 ml/min@70mbar	Silver	Black	Y	IP68 / IP69K



M6					
Part Number	Air Permeability	Body Color	O-ring Color	Oleophobic	Waterproof Rating
VENT-PS2NGY-O8001	>300 ml/min@70mbar	Gray	Black	Y	IP68
VENT-PS2NBR-O8001	>300 ml/min@70mbar	Black	Black	Y	IP68