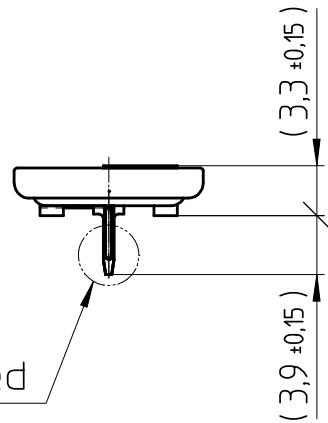


Layout top view



solder plated

- Samples can deviate in the execution from the serie.

Tab material: Stainless steel

All framed values will be used for dimension checking !

- Dimensions and tolerances can be specified only after the testing of the devices for the mass production definitely

| | | | | | | | | | | | |
|------------------------------|---|--|--|--------------------------------|---|--|--|---------------------|----------|----------|-----|
| Rev. | ○ | | | Rev. | ○ | | | Customer's Approval | | | |
| Rev. | ○ | | | Rev. | ○ | | | Date | | | |
| Rev. | ○ | | | Rev. | ○ | | | Signature | | | |
| Titel: CR1225FH-LF | | | | | | | | Scale 2:1 | Drawn | 21.12.04 | SRi |
| | | | | | | | | | Checked | 07.02.05 | MHo |
| | | | | | | | | | Approved | | |
| renata batteries | | | | CH-4452 Itingen Switzerland | | | | 3.8702.4- | | | |

Mouser Electronics

Authorized Distributor

Click to View Pricing, Inventory, Delivery & Lifecycle Information:

[Renata:](#)

[CR1225FH-LF](#)