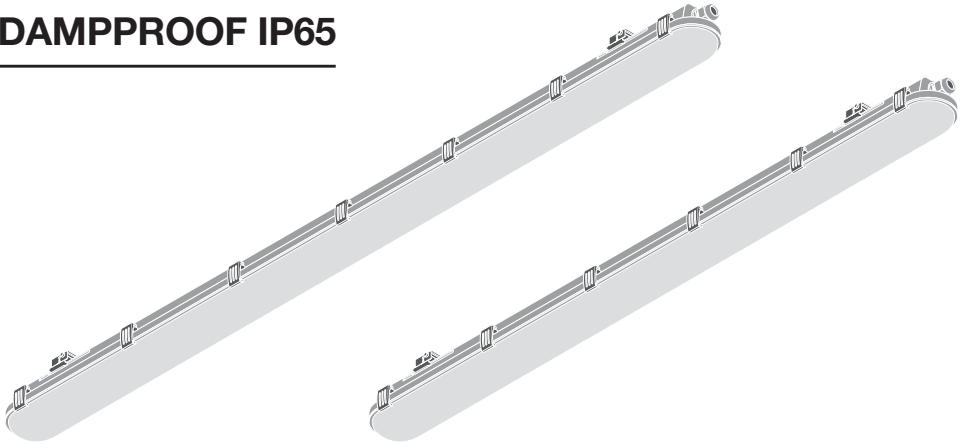
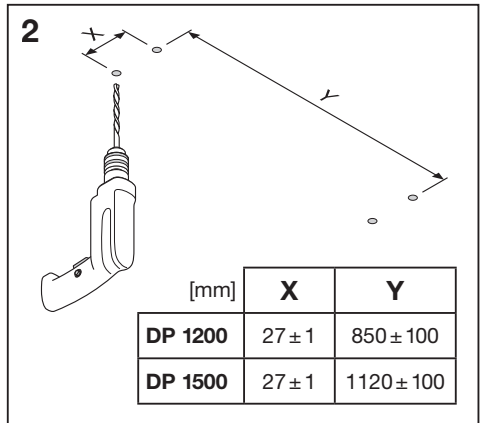
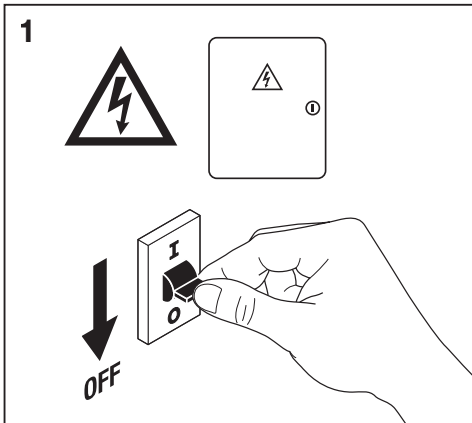
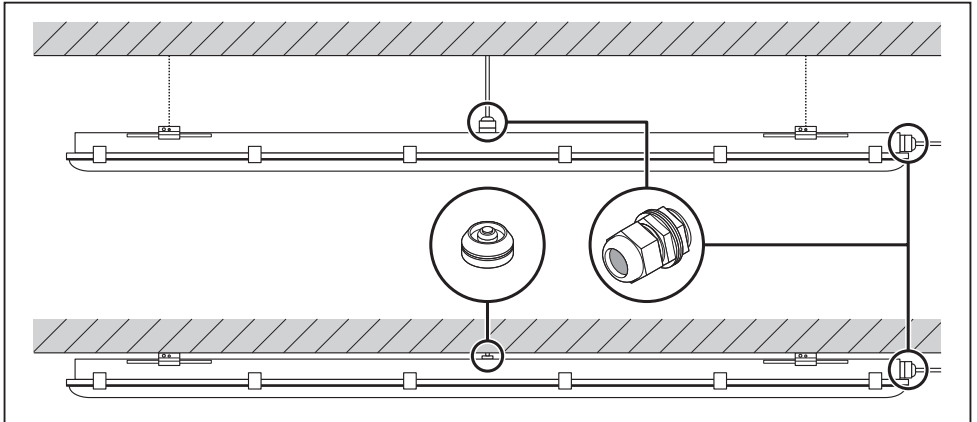
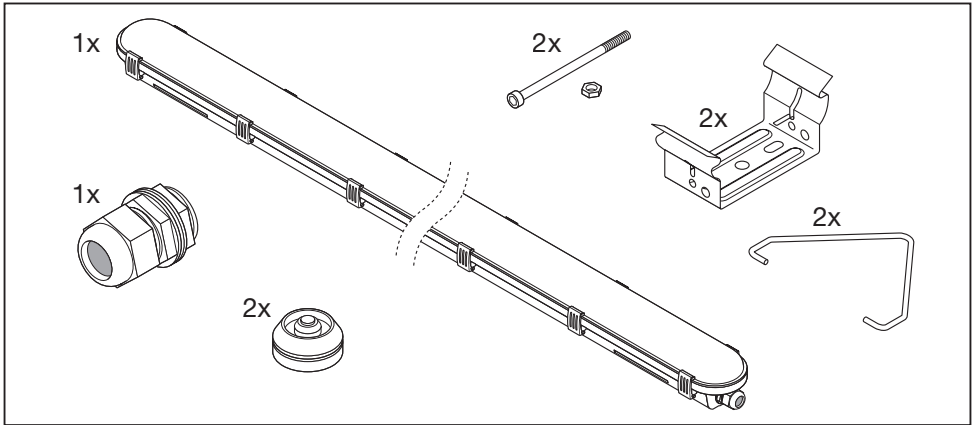


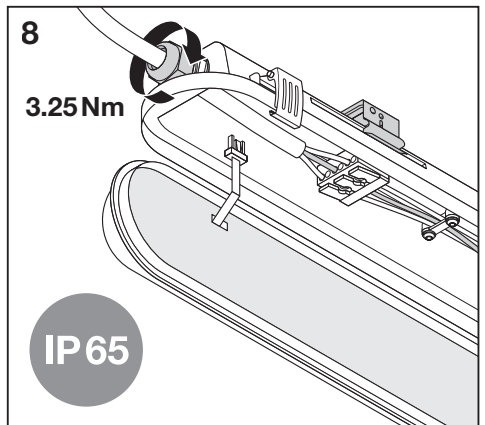
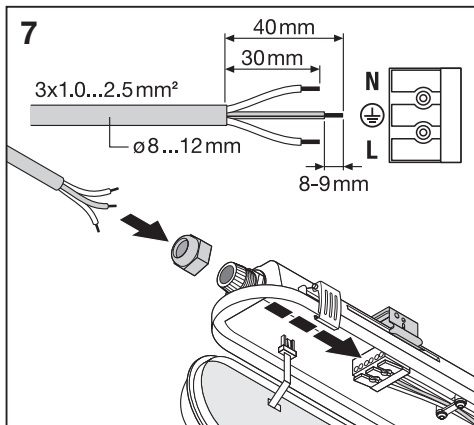
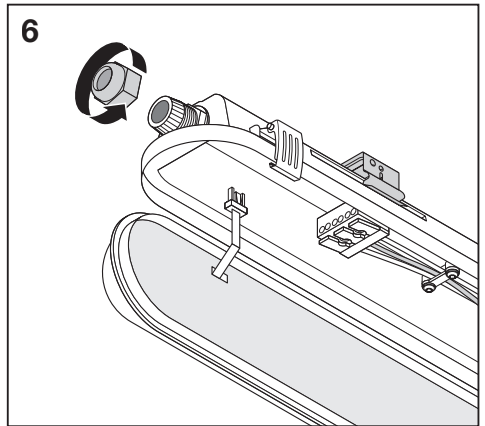
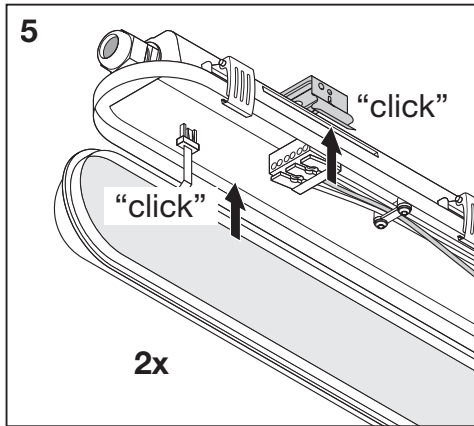
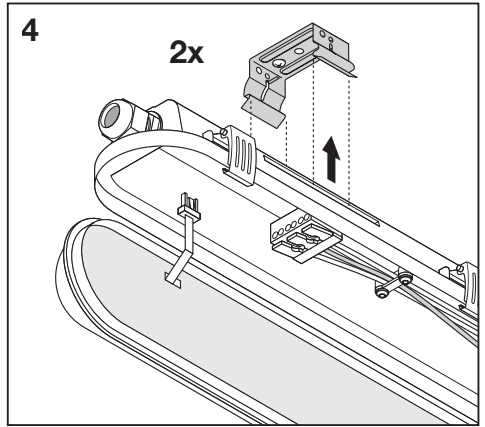
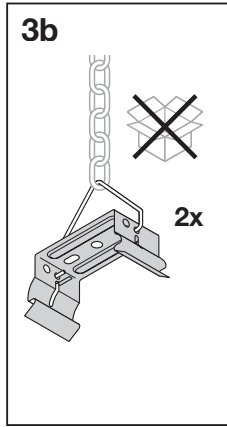
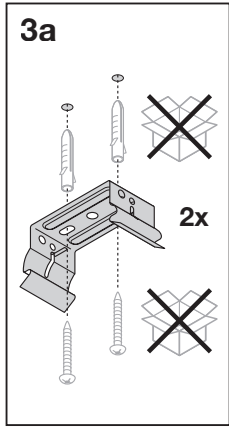
DAMPPROOF IP65

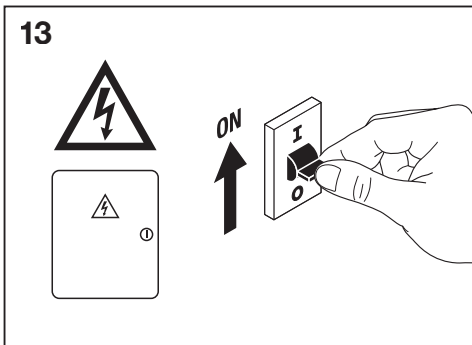
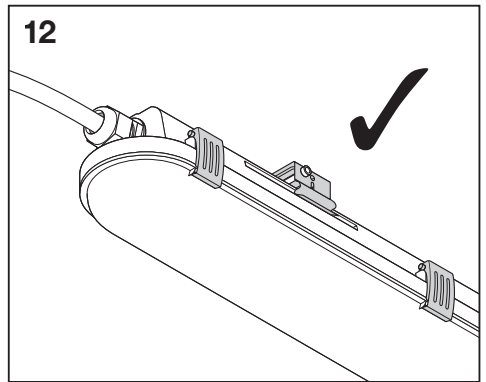
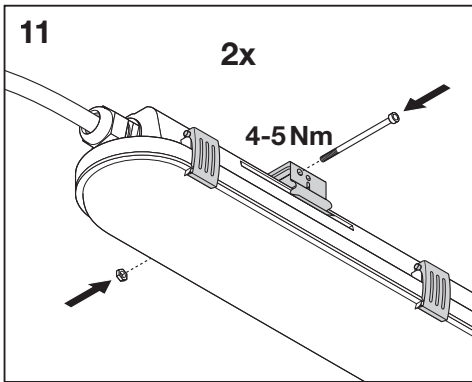
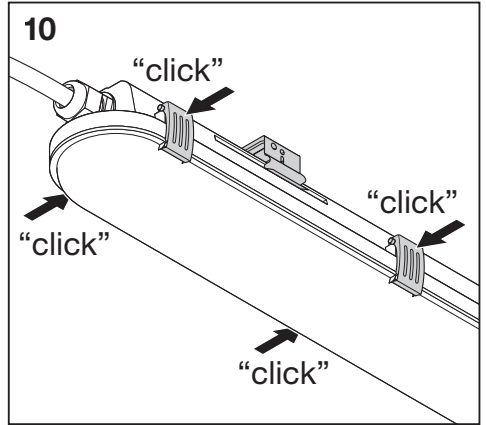
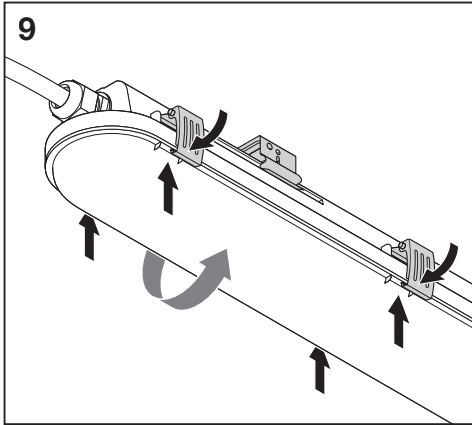


| | EAN | l x w x h [mm] | W | V _{AC} | Hz | lm | lm/W |
|-------------------------|---------------|----------------|----|-----------------|---------|-------|------|
| DP 1200 18W 840 IP65 GY | 4058075541047 | 1200x82x68 | 18 | 220-240V | 50/60Hz | 2400 | 135 |
| DP 1200 18W 865 IP65 GY | 4058075541061 | 1200x82x68 | 18 | 220-240V | 50/60Hz | 2400 | 135 |
| DP 1200 32W 830 IP65 GY | 4058075541085 | 1200x82x68 | 32 | 220-240V | 50/60Hz | 4000 | 125 |
| DP 1200 32W 840 IP65 GY | 4058075541108 | 1200x82x68 | 32 | 220-240V | 50/60Hz | 4400 | 135 |
| DP 1200 32W 865 IP65 GY | 4058075541122 | 1200x82x68 | 32 | 220-240V | 50/60Hz | 4400 | 135 |
| DP 1500 26W 840 IP65 GY | 4058075541146 | 1500x82x68 | 26 | 220-240V | 50/60Hz | 3500 | 135 |
| DP 1500 26W 865 IP65 GY | 4058075541160 | 1500x82x68 | 26 | 220-240V | 50/60Hz | 3500 | 135 |
| DP 1500 46W 830 IP65 GY | 4058075541184 | 1500x82x68 | 46 | 220-240V | 50/60Hz | 5750 | 125 |
| DP 1500 46W 840 IP65 GY | 4058075541207 | 1500x82x68 | 46 | 220-240V | 50/60Hz | 6400 | 135 |
| DP 1500 46W 865 IP65 GY | 4058075541221 | 1500x82x68 | 46 | 220-240V | 50/60Hz | 6400 | 135 |
| DP 1500 58W 840 IP65 GY | 4058075541245 | 1500x82x68 | 58 | 220-240V | 50/60Hz | 8000 | 135 |
| DP 1500 58W 865 IP65 GY | 4058075541269 | 1500x82x68 | 58 | 220-240V | 50/60Hz | 8000 | 135 |
| DP 1500 81W 840 IP65 GY | 4058075541283 | 1500x82x68 | 81 | 220-240V | 50/60Hz | 11000 | 135 |
| DP 1500 81W 865 IP65 GY | 4058075541306 | 1500x82x68 | 81 | 220-240V | 50/60Hz | 11000 | 135 |

| | EAN | K | IP | IK | ∠ | R _a | °(°C) | PF | 👤 |
|-------------------------|---------------|------|----|----|------|----------------|-----------|-------|--------|
| DP 1200 18W 840 IP65 GY | 4058075541047 | 4000 | 65 | 08 | 110° | > 80 | -25...+40 | > 0.9 | 1.6 kg |
| DP 1200 18W 865 IP65 GY | 4058075541061 | 6500 | 65 | 08 | 110° | > 80 | -25...+40 | > 0.9 | 1.6 kg |
| DP 1200 32W 830 IP65 GY | 4058075541085 | 3000 | 65 | 08 | 110° | > 80 | -25...+40 | > 0.9 | 1.6 kg |
| DP 1200 32W 840 IP65 GY | 4058075541108 | 4000 | 65 | 08 | 110° | > 80 | -25...+40 | > 0.9 | 1.6 kg |
| DP 1200 32W 865 IP65 GY | 4058075541122 | 6500 | 65 | 08 | 110° | > 80 | -25...+40 | > 0.9 | 1.6 kg |
| DP 1500 26W 840 IP65 GY | 4058075541146 | 4000 | 65 | 08 | 110° | > 80 | -25...+40 | > 0.9 | 2.1 kg |
| DP 1500 26W 865 IP65 GY | 4058075541160 | 6500 | 65 | 08 | 110° | > 80 | -25...+40 | > 0.9 | 2.1 kg |
| DP 1500 46W 830 IP65 GY | 4058075541184 | 3000 | 65 | 08 | 110° | > 80 | -25...+40 | > 0.9 | 2.1 kg |
| DP 1500 46W 840 IP65 GY | 4058075541207 | 4000 | 65 | 08 | 110° | > 80 | -25...+40 | > 0.9 | 2.1 kg |
| DP 1500 46W 865 IP65 GY | 4058075541221 | 6500 | 65 | 08 | 110° | > 80 | -25...+40 | > 0.9 | 2.1 kg |
| DP 1500 58W 840 IP65 GY | 4058075541245 | 4000 | 65 | 08 | 110° | > 80 | -25...+40 | > 0.9 | 2.1 kg |
| DP 1500 58W 865 IP65 GY | 4058075541269 | 6500 | 65 | 08 | 110° | > 80 | -25...+40 | > 0.9 | 2.1 kg |
| DP 1500 81W 840 IP65 GY | 4058075541283 | 4000 | 65 | 08 | 110° | > 80 | -25...+40 | > 0.9 | 2.1 kg |
| DP 1500 81W 865 IP65 GY | 4058075541306 | 6500 | 65 | 08 | 110° | > 80 | -25...+40 | > 0.9 | 2.1 kg |







| n | B16 | C10 | C16 |
|-------------|-----|-----|-----|
| DP 1200 18W | 58 | 46 | 73 |
| DP 1200 32W | 27 | 24 | 39 |
| DP 1500 26W | 56 | 44 | 71 |
| DP 1500 46W | 26 | 23 | 37 |
| DP 1500 58W | 26 | 23 | 38 |
| DP 1500 81W | 13 | 16 | 26 |



RoHS



C10449057
G11104662
21.10.20



LEDVANCE GmbH
Steinerne Furt 62
86167 Augsburg, Germany
www.ledvance.com